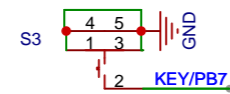
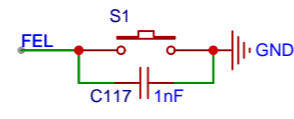


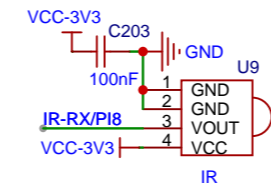
LED



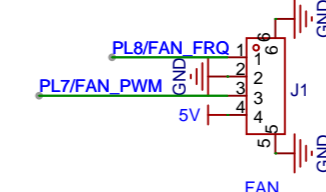
KEY



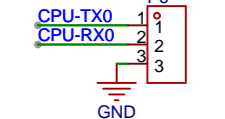
BOOT



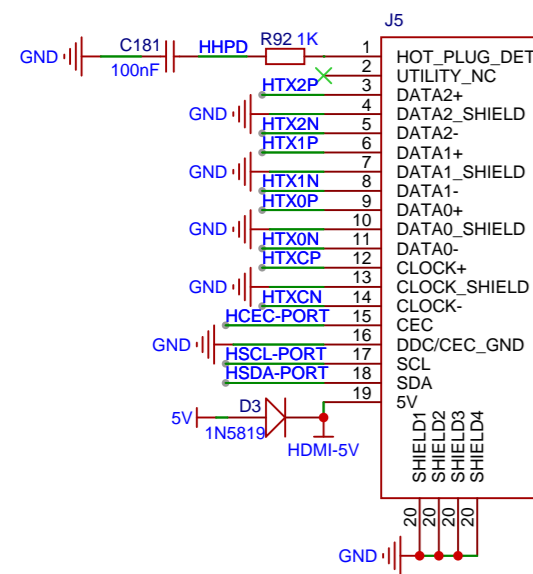
IR



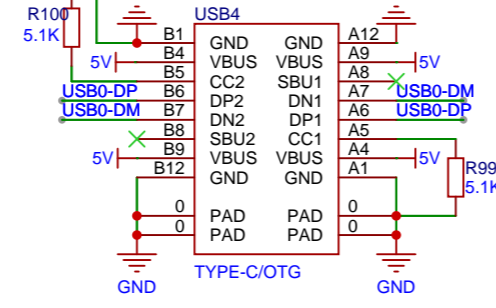
FAN



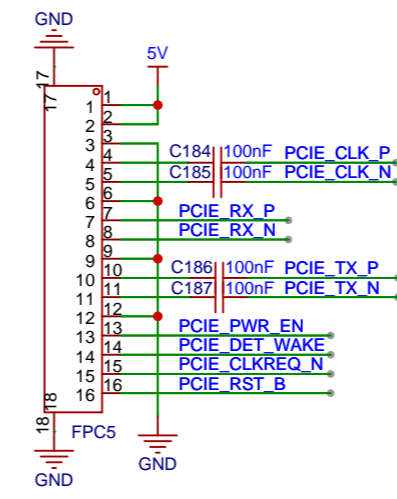
DEBUG



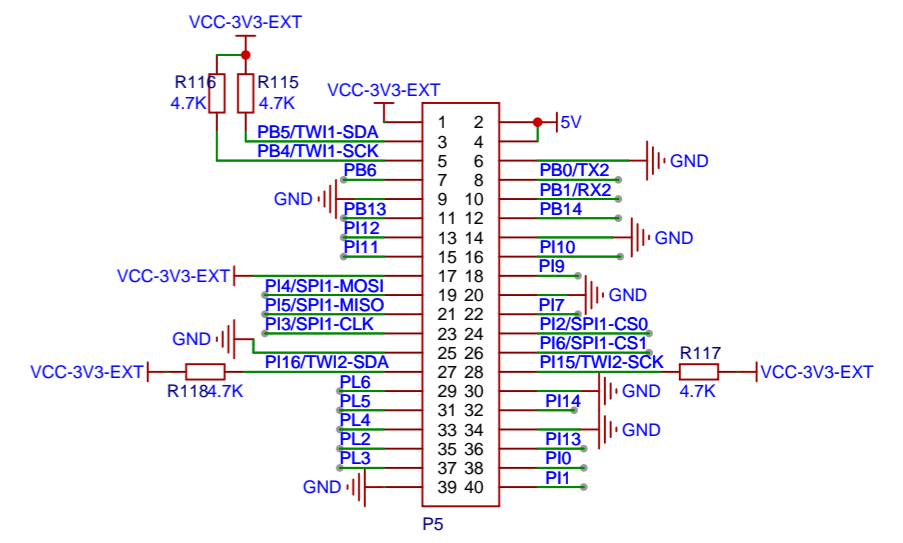
HDMI



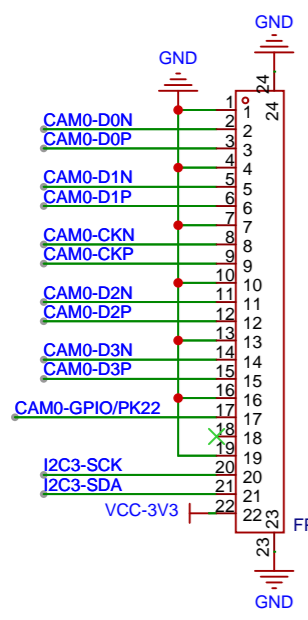
TYPE-C



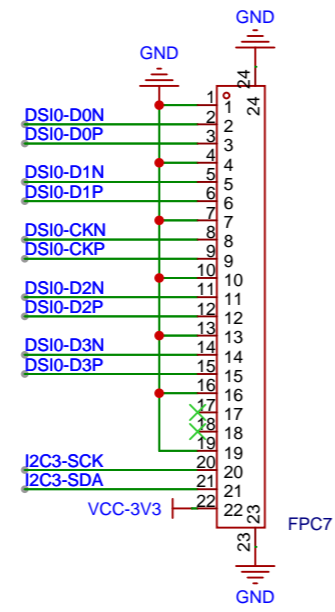
PCIE



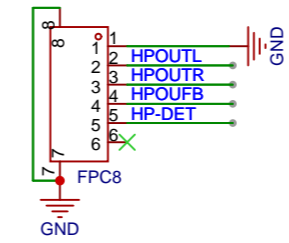
40Pin GPIO



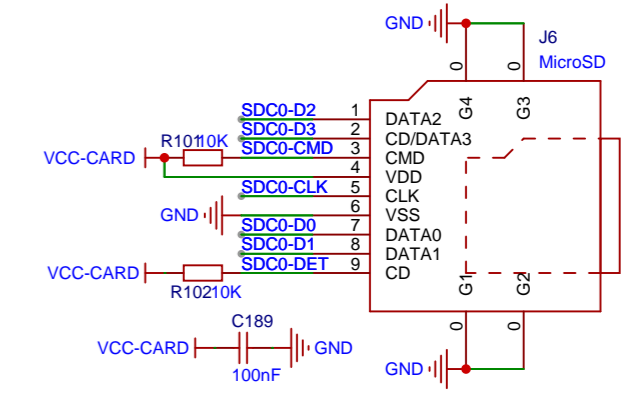
CAMERA0 ( 4Lane )



DISPLAY0 ( 4Lane )



AUDIO



MicroSD