

NanoPi NEO

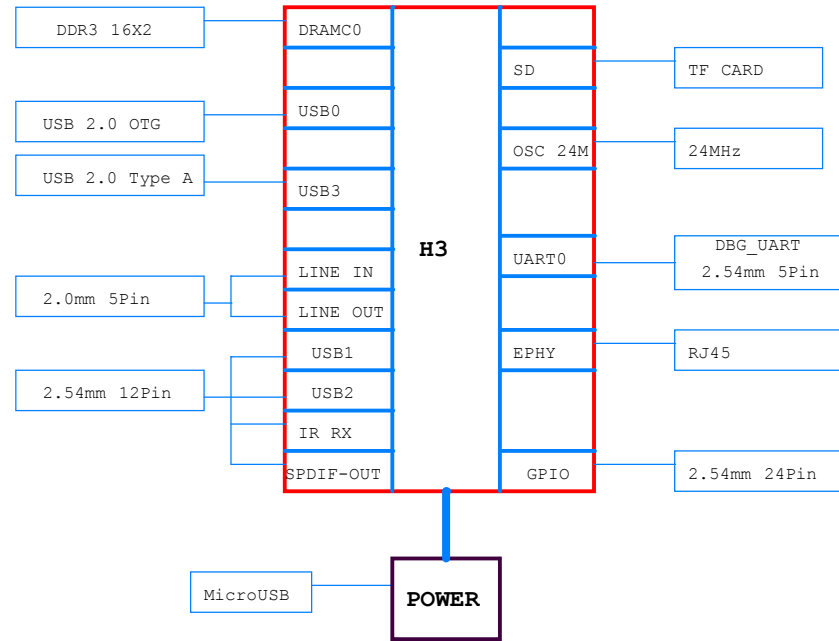
Revision

1606 , First Release
V1.1 1607, Replace MIC&LINEOUT with I2S/PCM on CON2
V1.2 1608, Use DC/DC (U7) for VDD1V2-SYS
V1.3 1702, Use DC/DC(U25) for VDD-CPUX
V1.31 1703, Change TFCard(MicroSD) footprint
V1.4 1801, Added TV-OUT

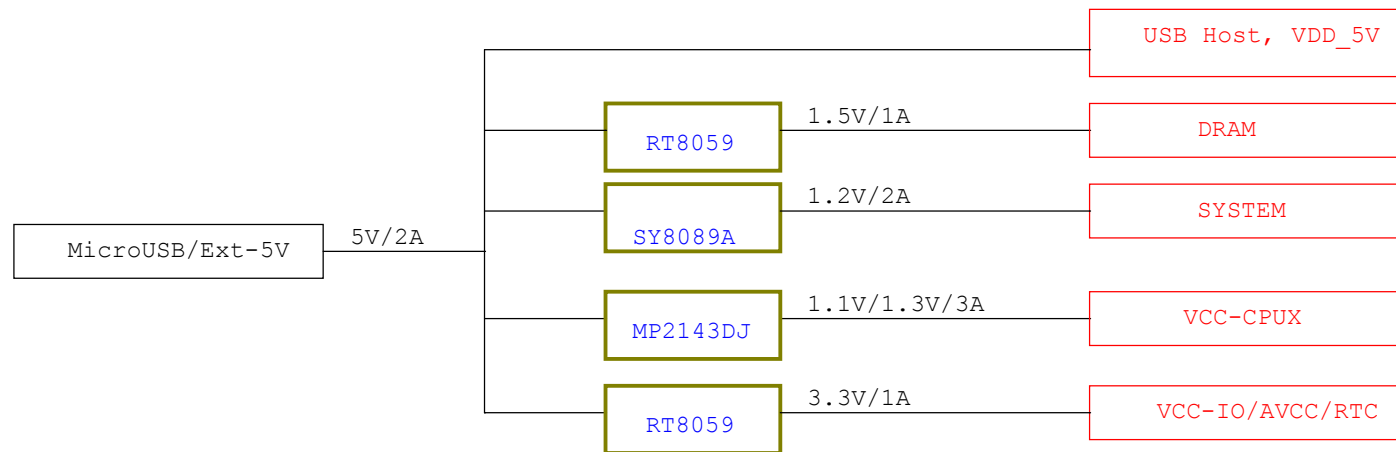


NanoPi NEO		
Size A3	Document Number 01:Title	Rev V1.4 1801
Date: Tuesday, January 30, 2018	Sheet 1	of 12

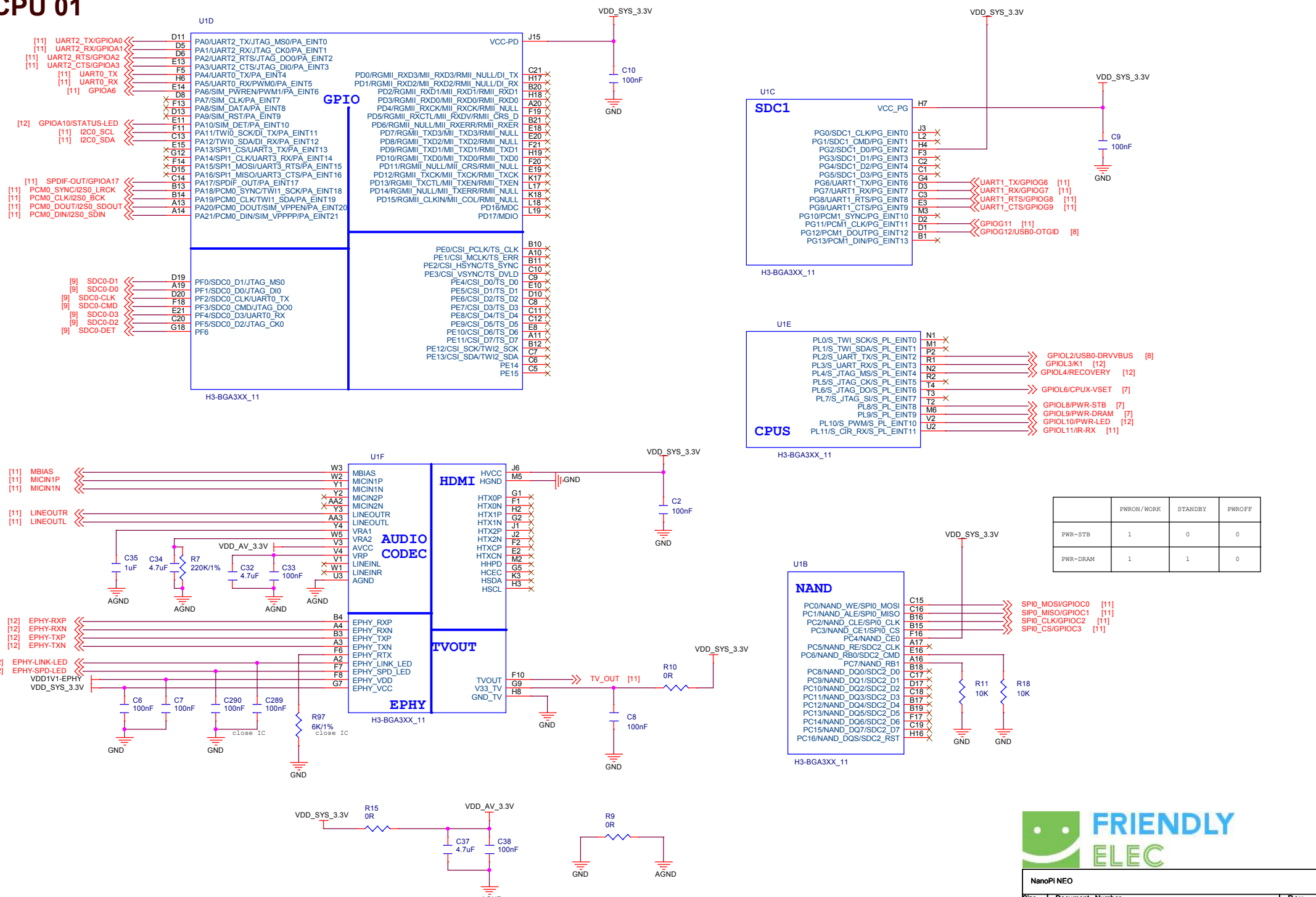
BLOCK



POWER TREE



CPU 01



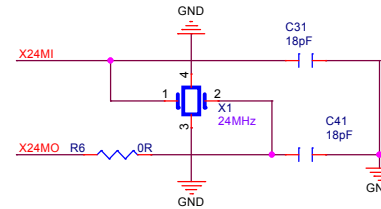
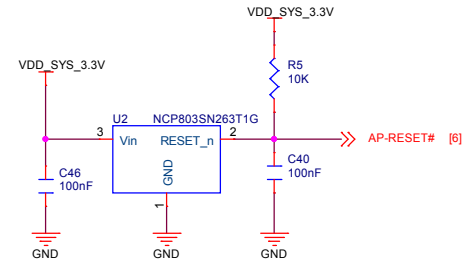
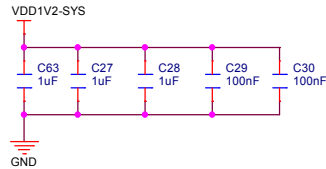
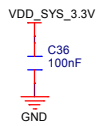
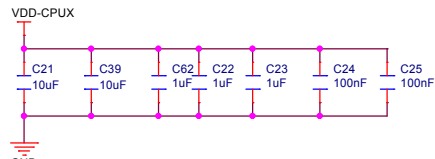
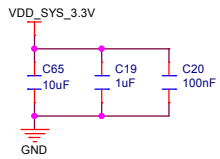
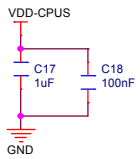
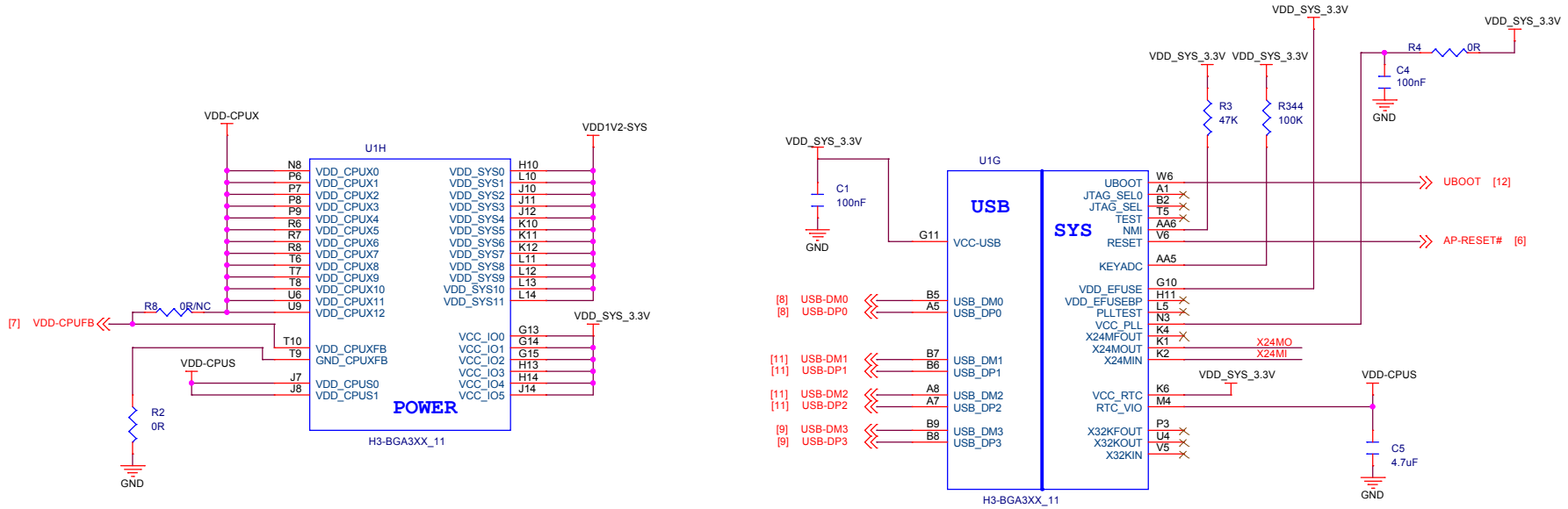
	PWRON / WORK	STANDBY	PWROFF
PWR-STB	1	0	0
PWR-DRAM	1	1	0

FRIENDLY ELEC

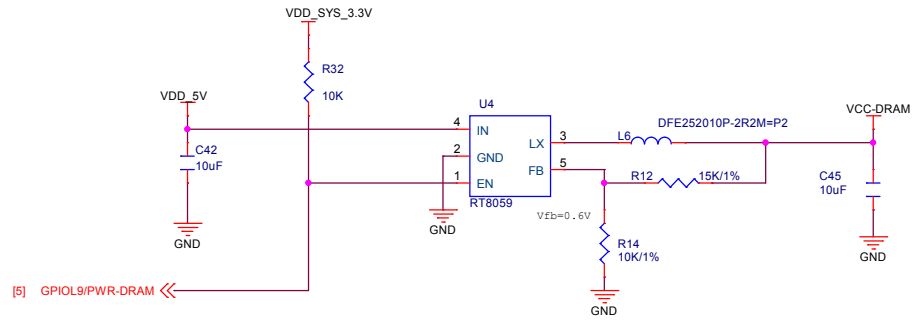
NanoPi NEO

Size	A3	Document Number	05:CPU 01	Rev	V1.4 1801
Date:	Tuesday, January 30, 2018			Sheet	5 of 12

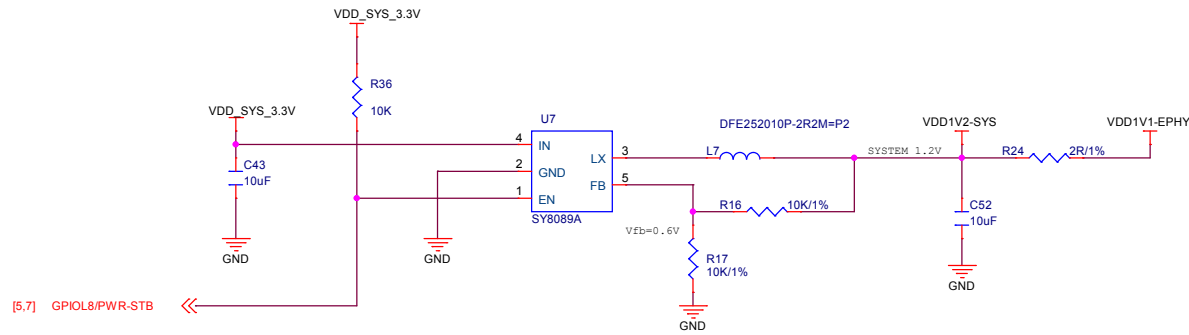
CPU 02



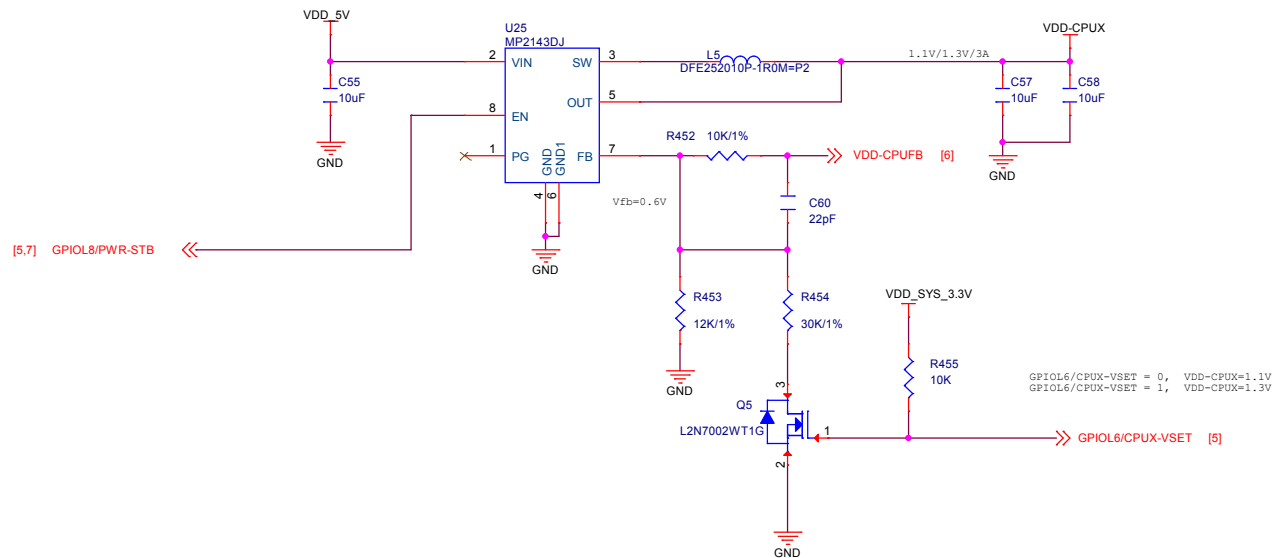
POWER 01



[5] GPIO9/PWR-DRAM <<



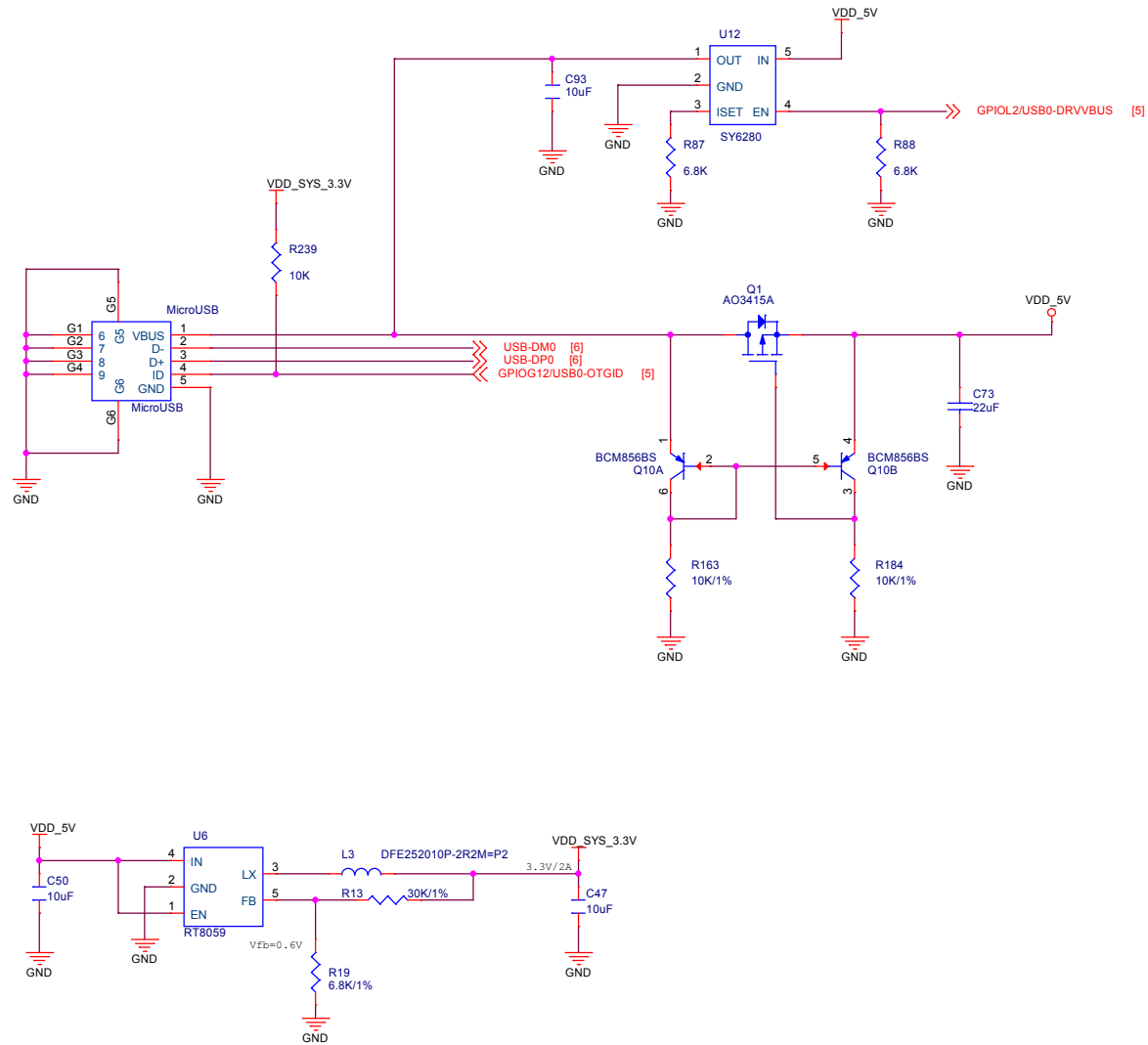
[5.7] GPIO8/PWR-STB <<



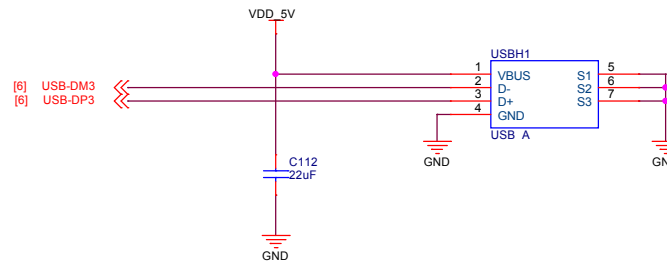
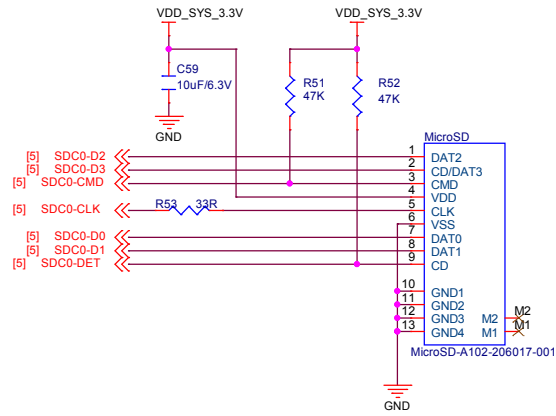
[5.7] GPIO8/PWR-STB <<



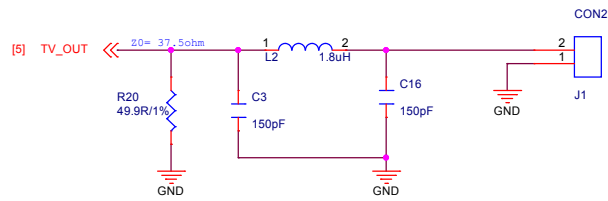
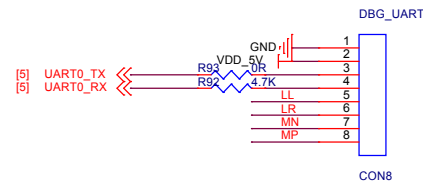
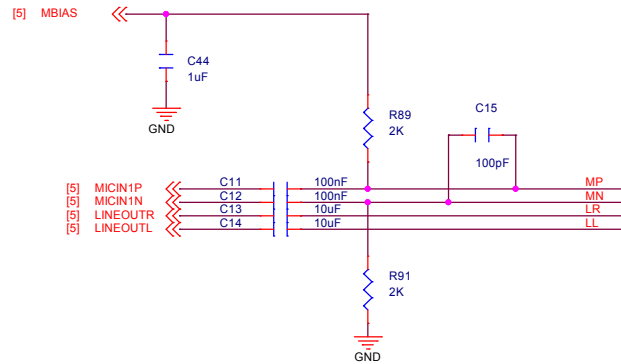
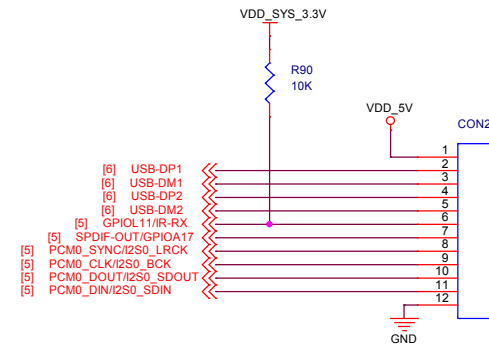
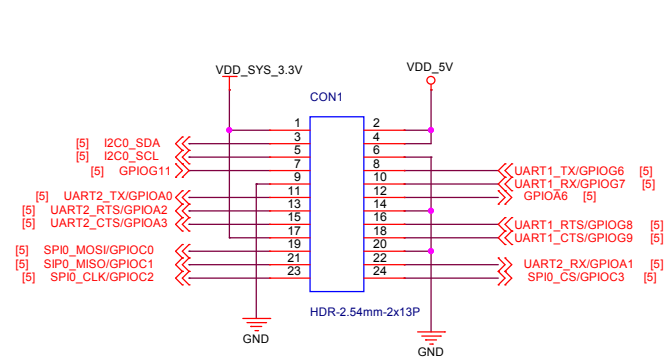
POWER 02



TF,USB Host



GPIO,Audio



LEDs, LAN

