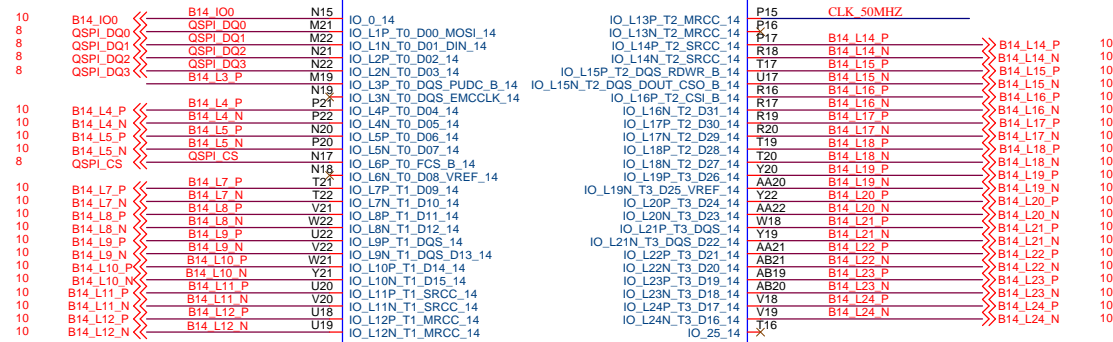
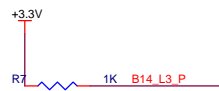
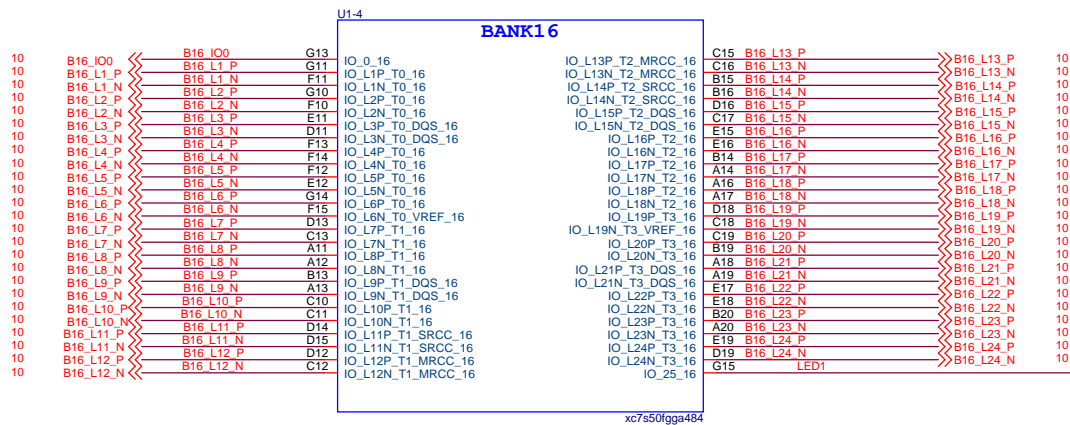
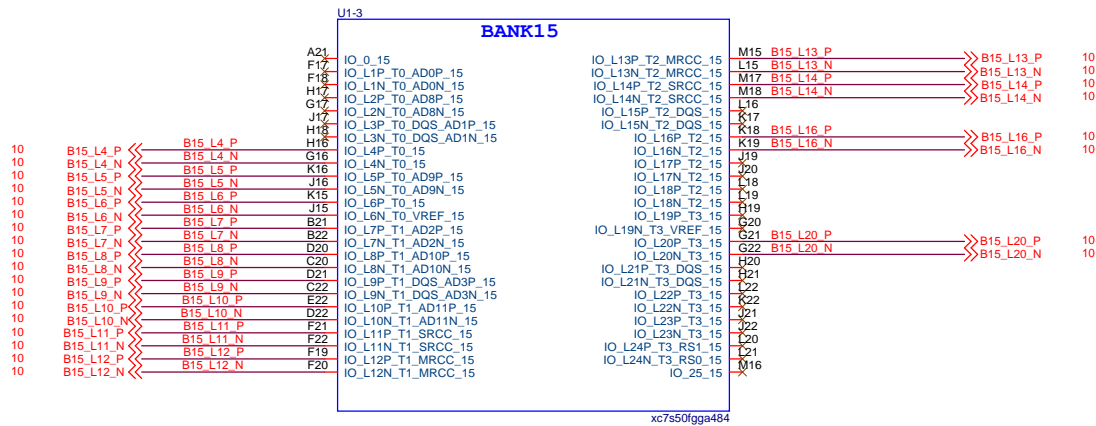


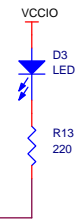
PUDC_B=1: Deactive internal Pull up Resister

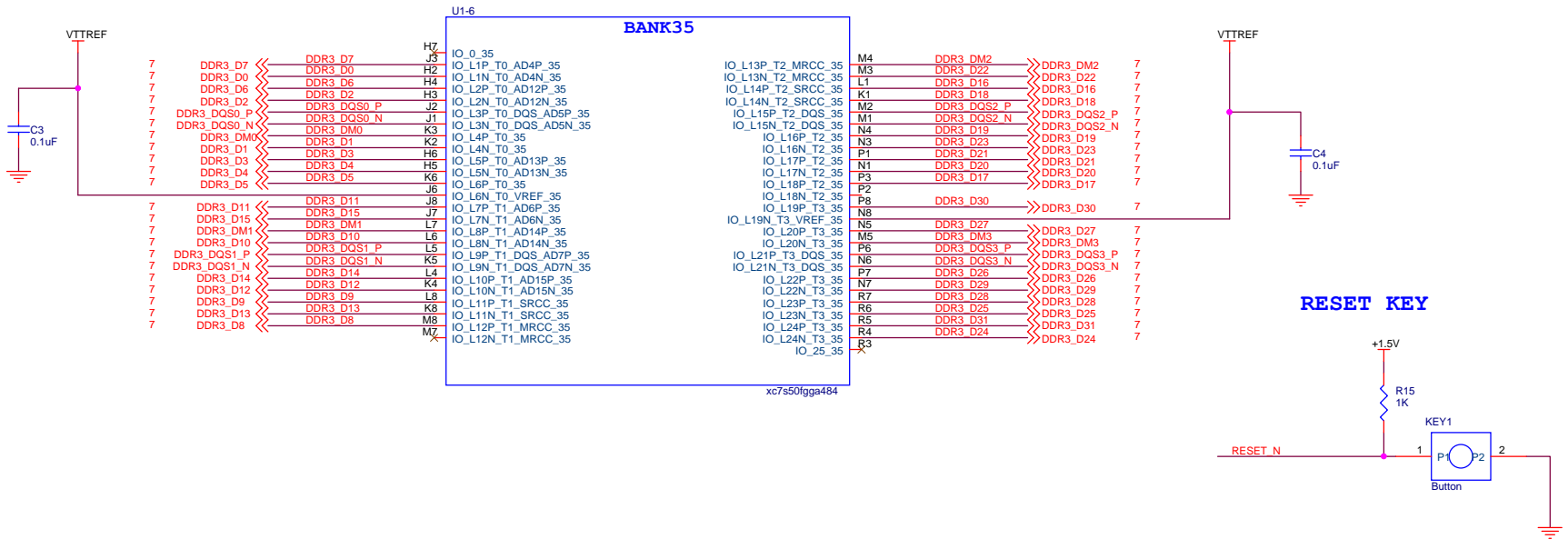
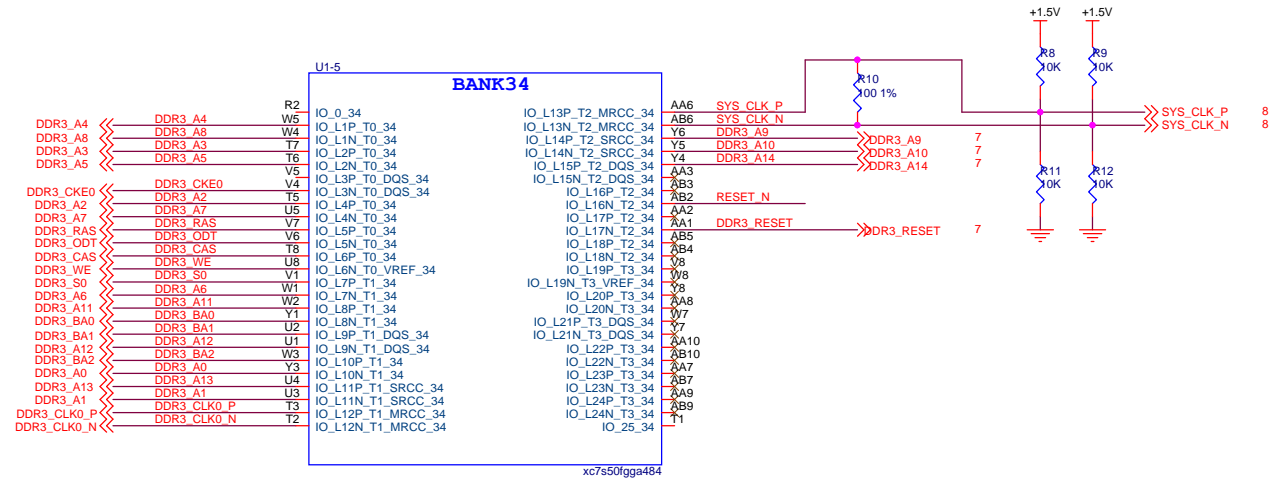


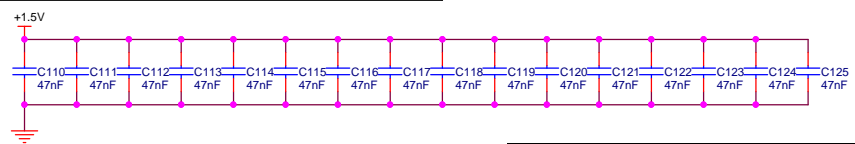
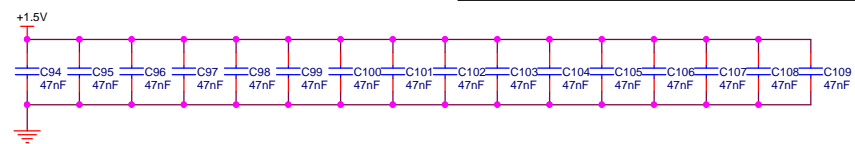
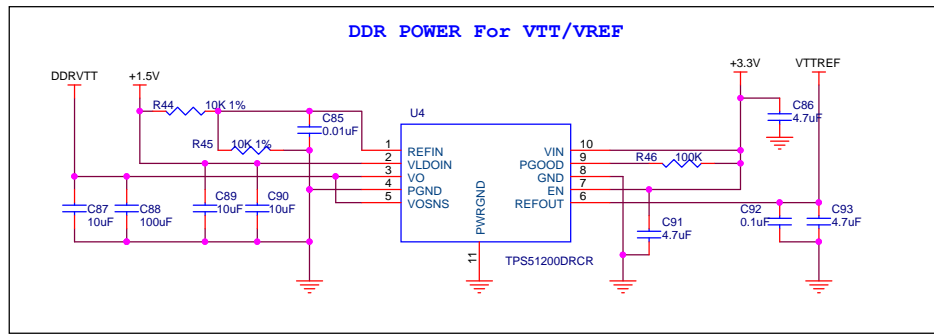
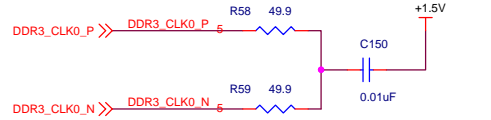
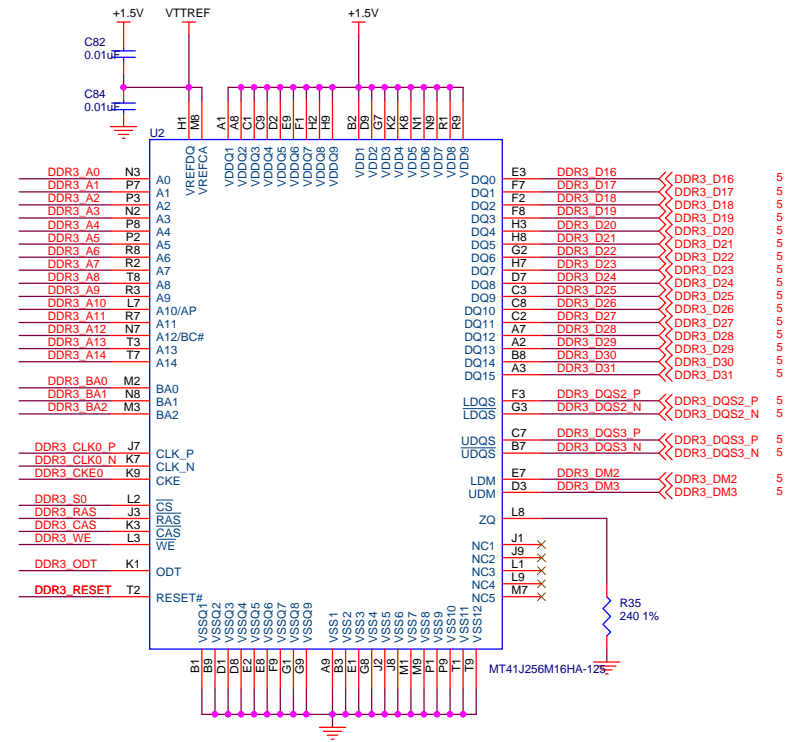
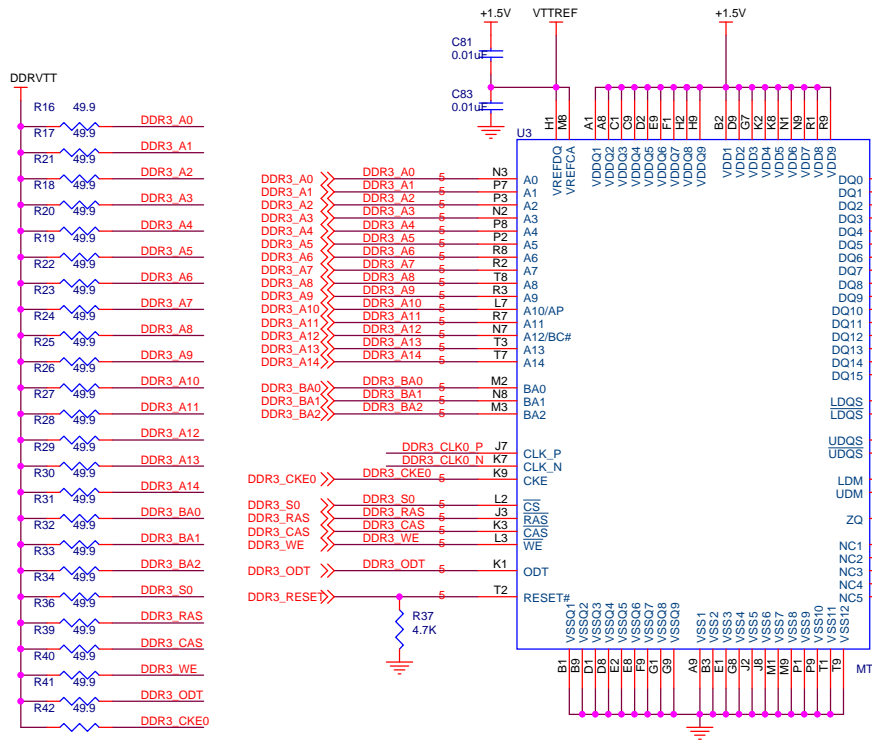
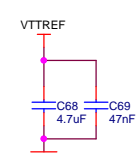
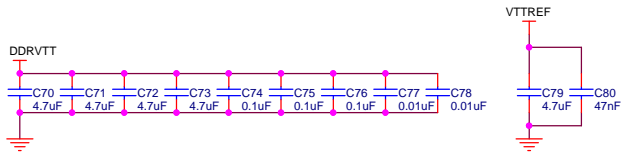
xc7s50fgga484



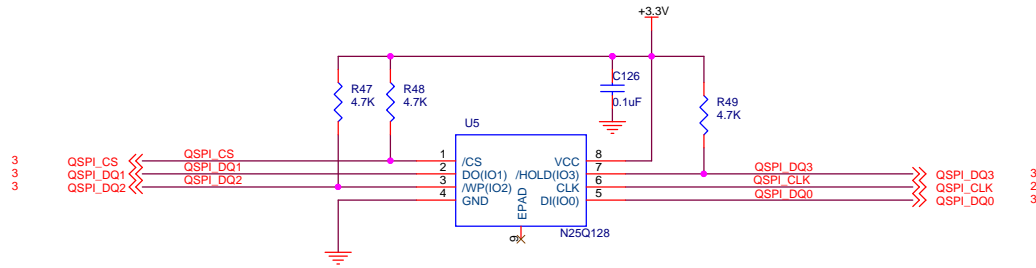
USER LED





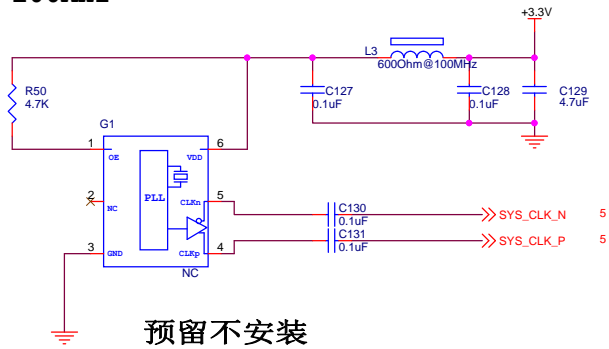


FPGA CONFIG SPI

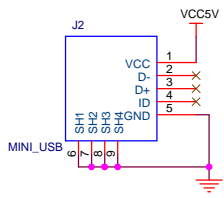


SYSTEM CLOCK

200MHz

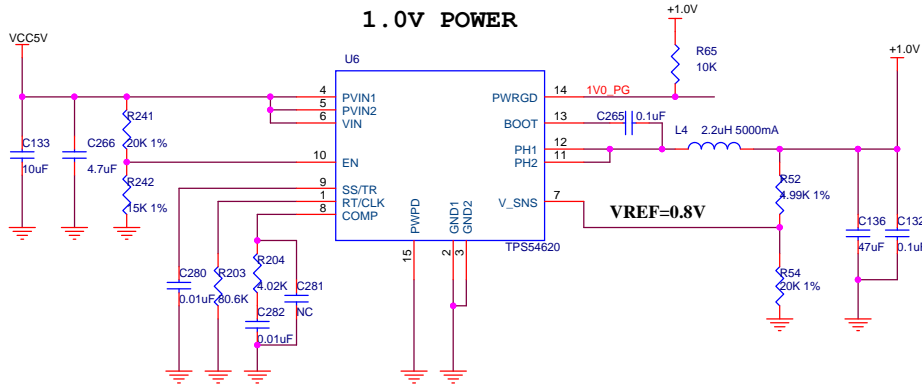


预留不安装

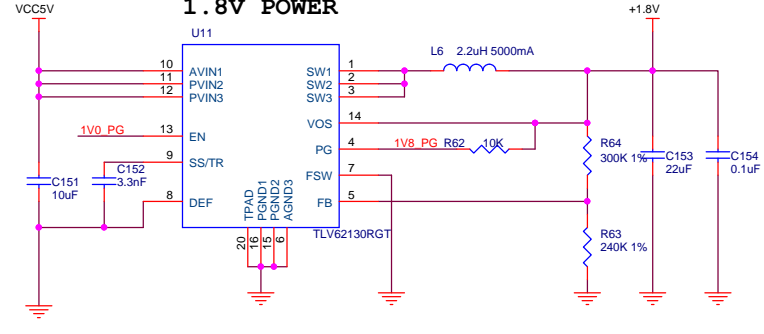


POWER ON: VCCINT (1.0V) ->VCCBRAM (1.0V) ->VCCAUX- (1.8V) >VCCO (1.5V and 3.3V)

1.0V POWER



1.8V POWER



1.5V POWER

