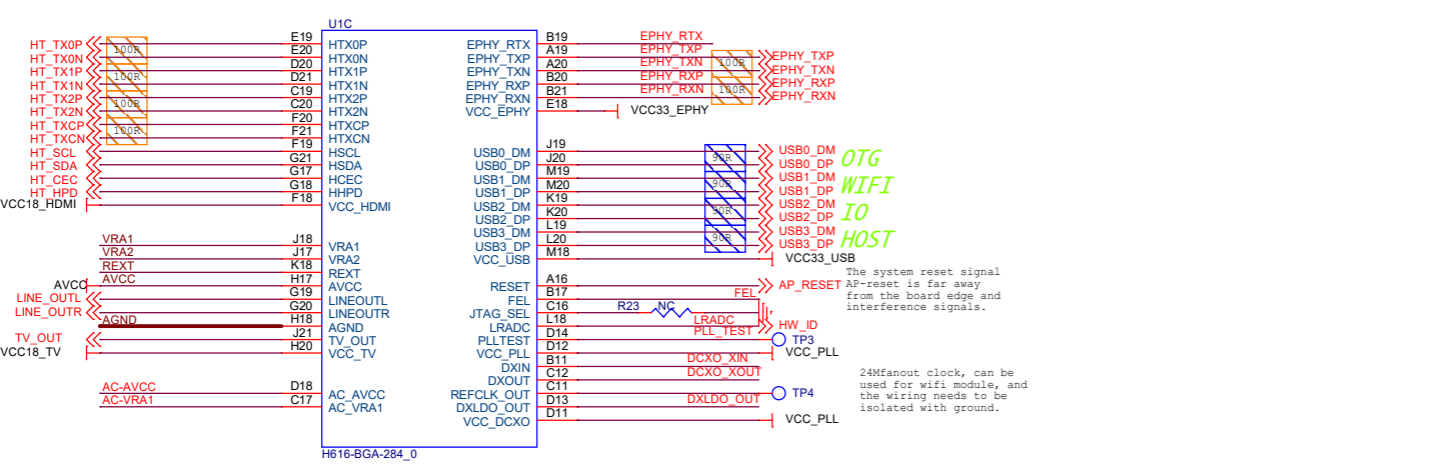
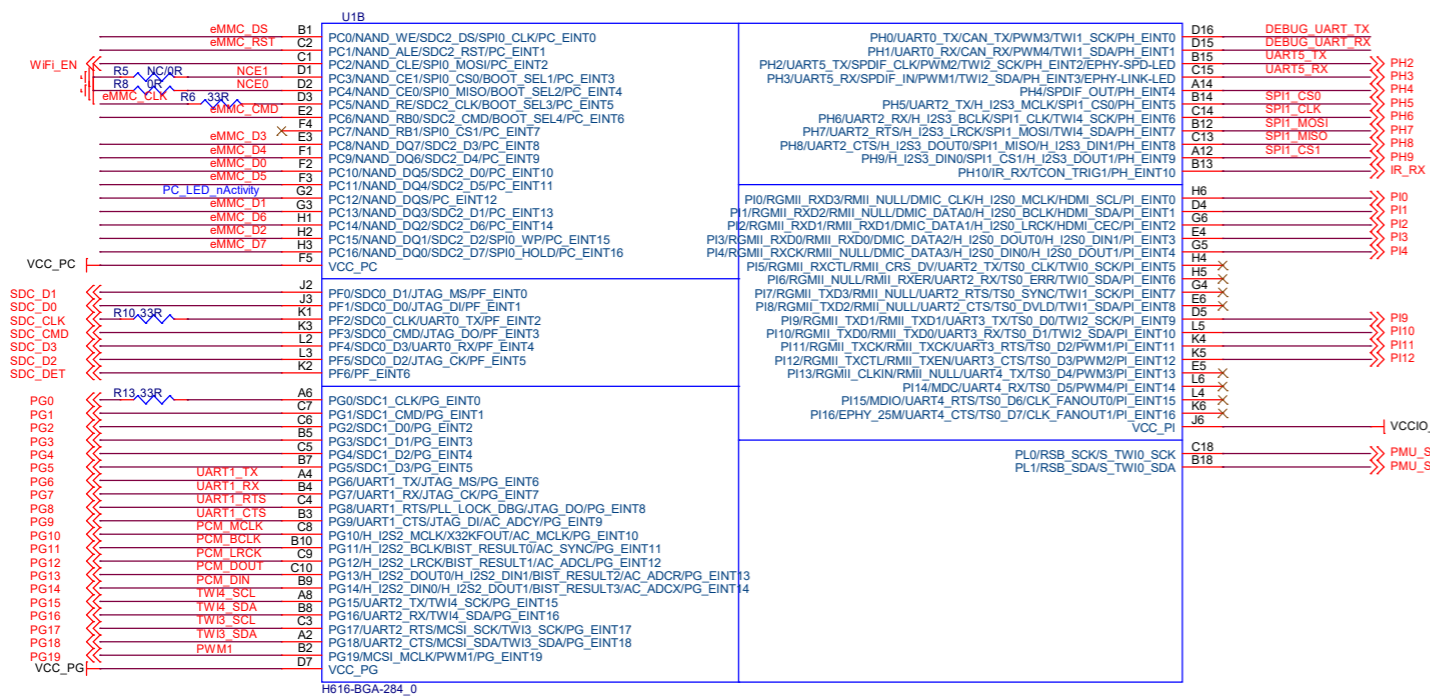


CM5 IO1 Receptacle

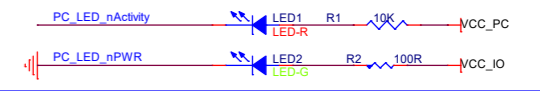


GPIO use guide:

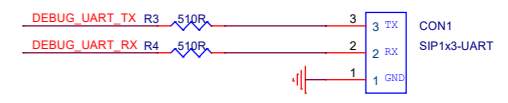
- Note that the voltage of SOC GPIO must matches the external IO voltage.
- The pull up voltage of the GPIO is selected to correspond to the power field voltage of GPIO.



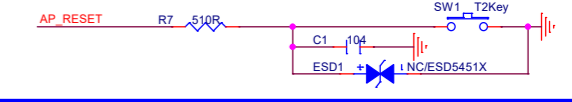
SYS LED



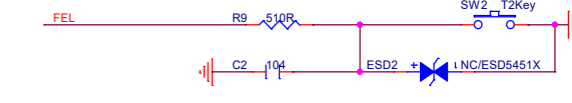
Debug



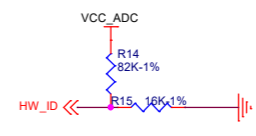
RESET KEY



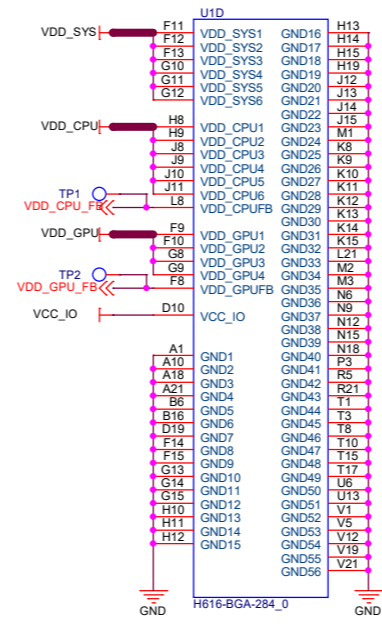
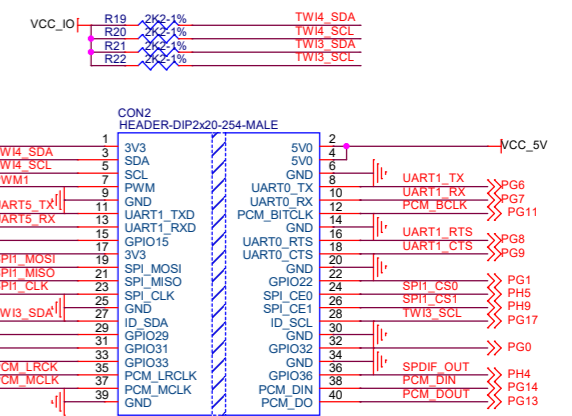
FEL KEY



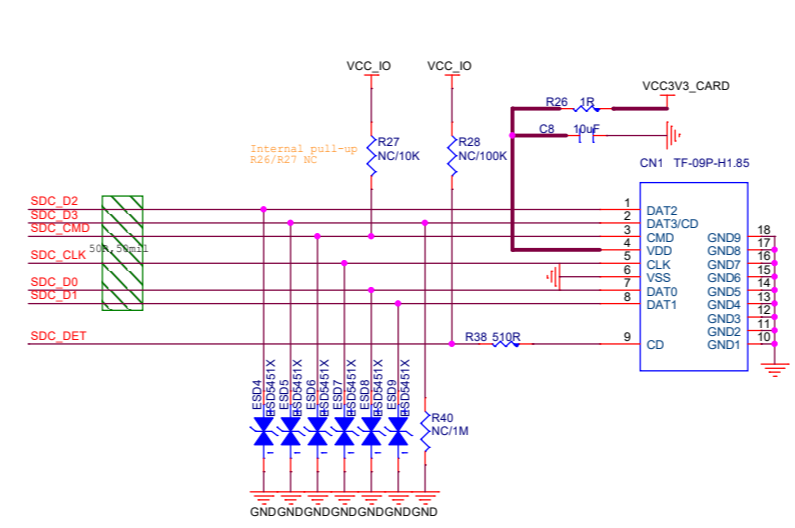
HW ID



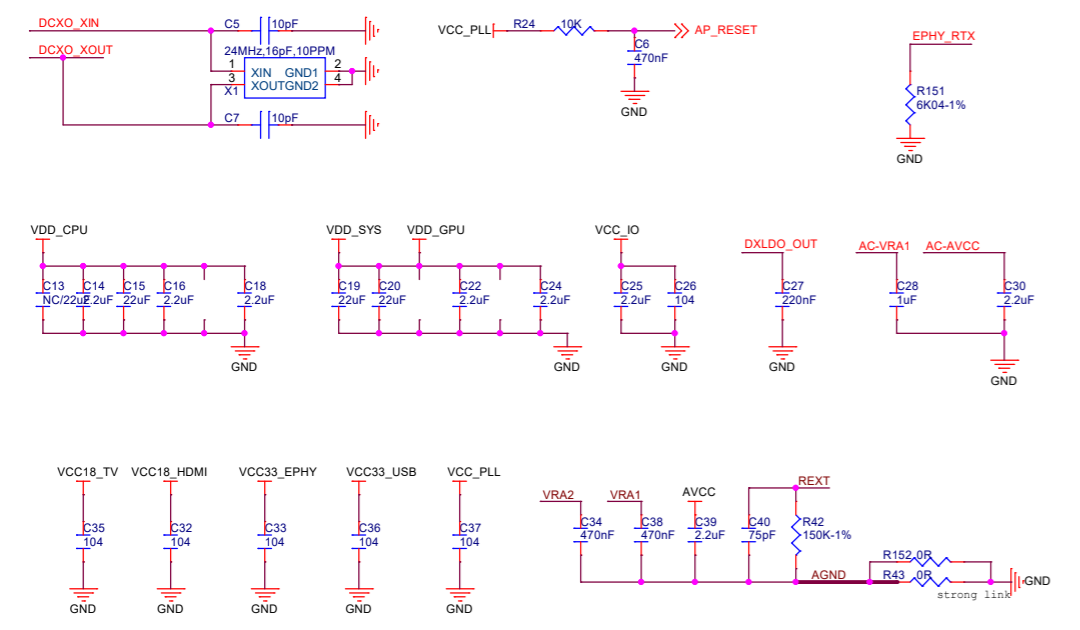
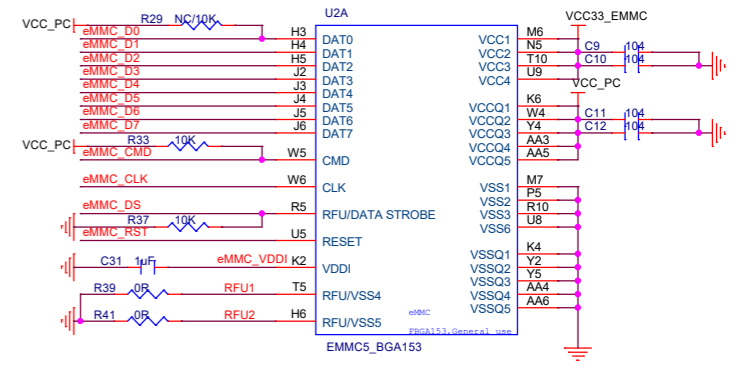
40PIN GPIO



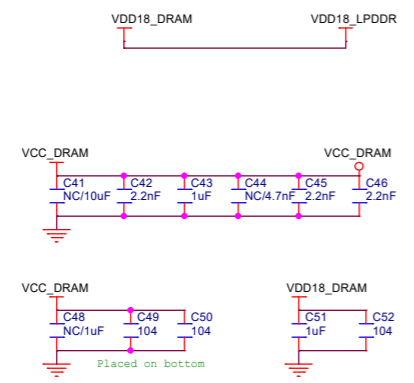
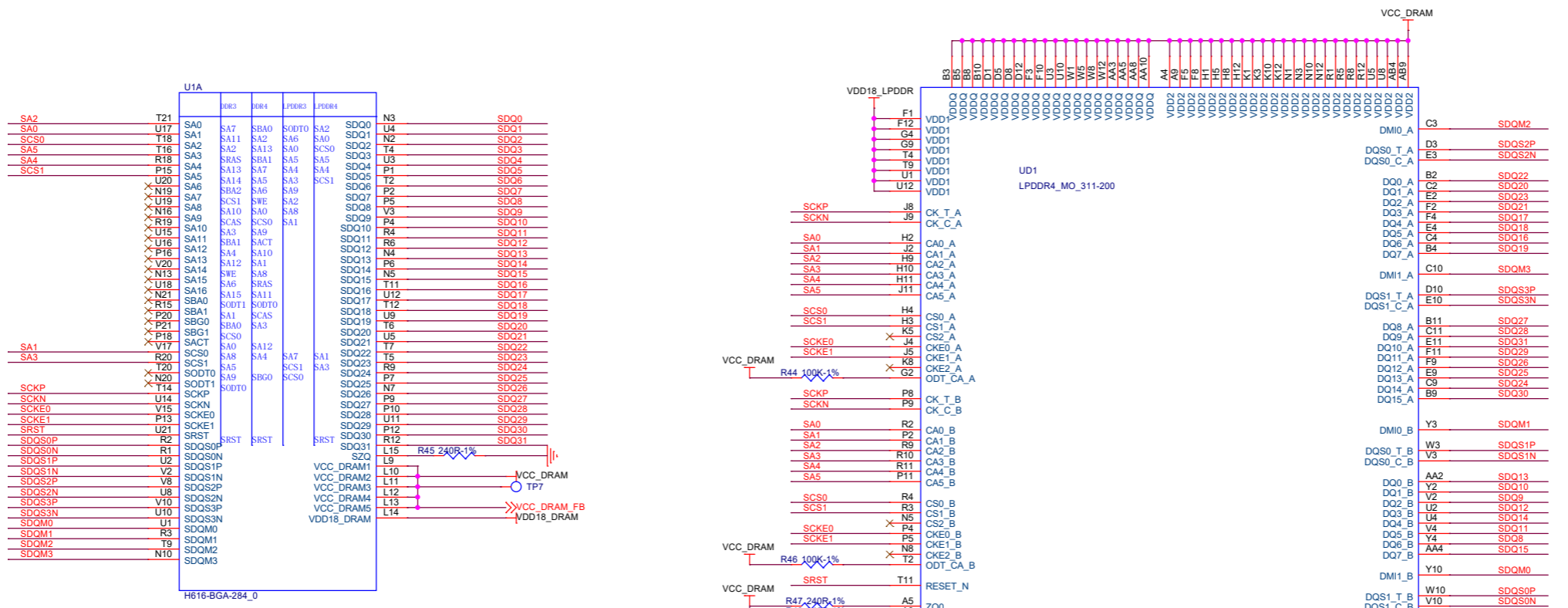
SD Card



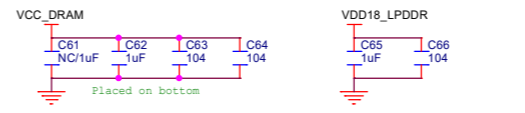
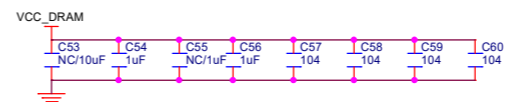
eMMC



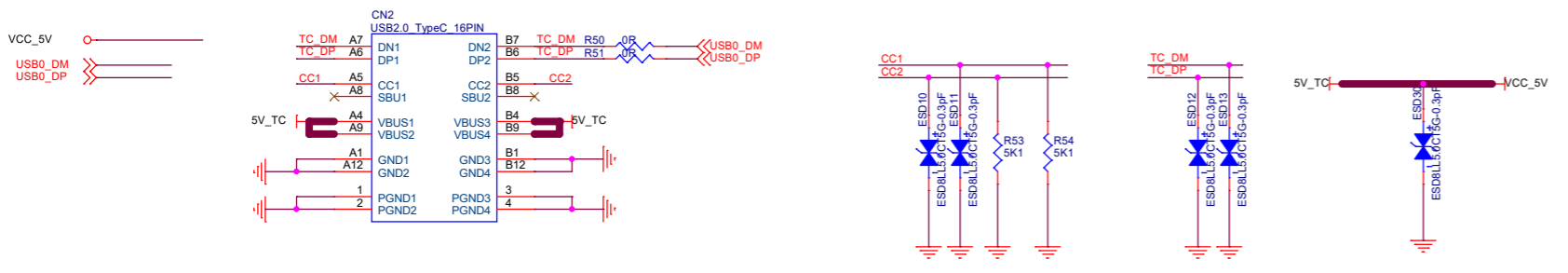
LPDDR4



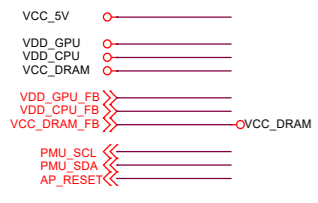
SCKP — C47 — 2.2pF-C0G — SCKN



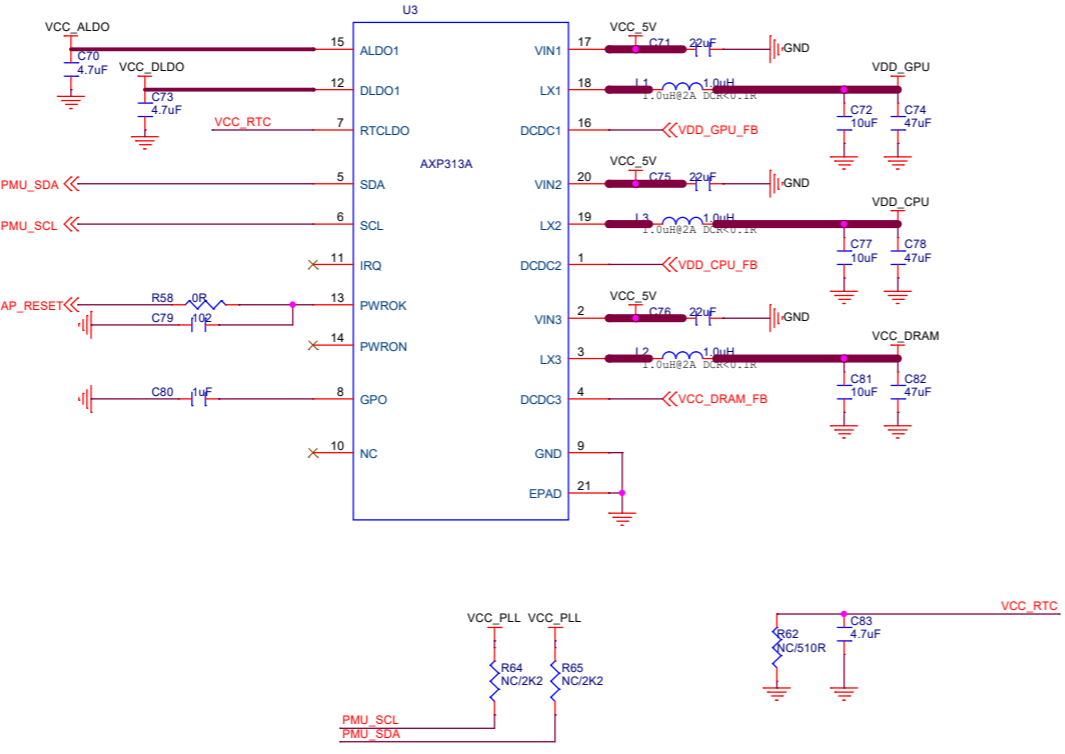
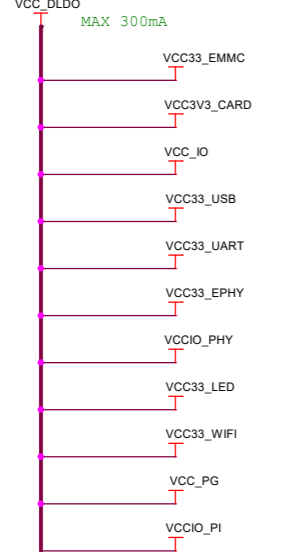
Power Supply



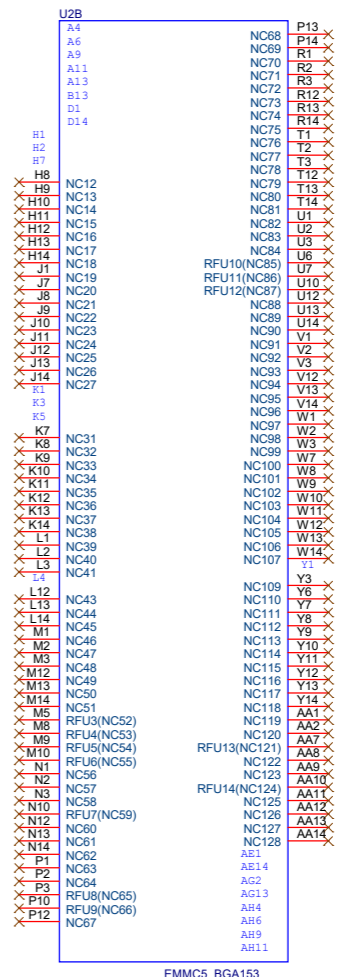
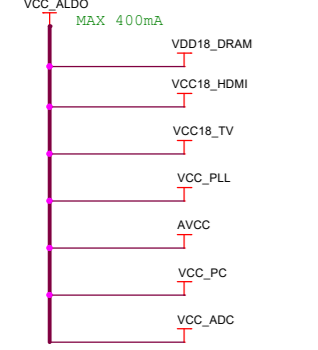
PMIC



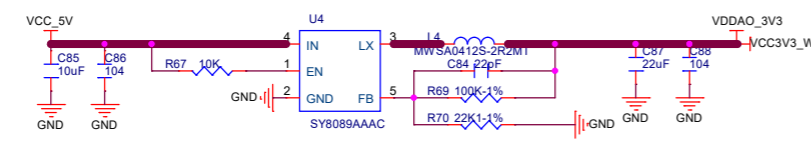
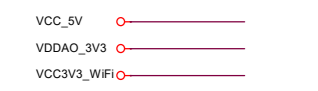
3V3



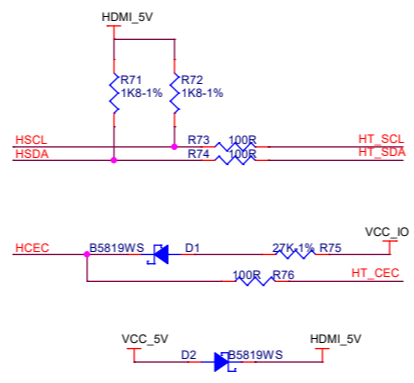
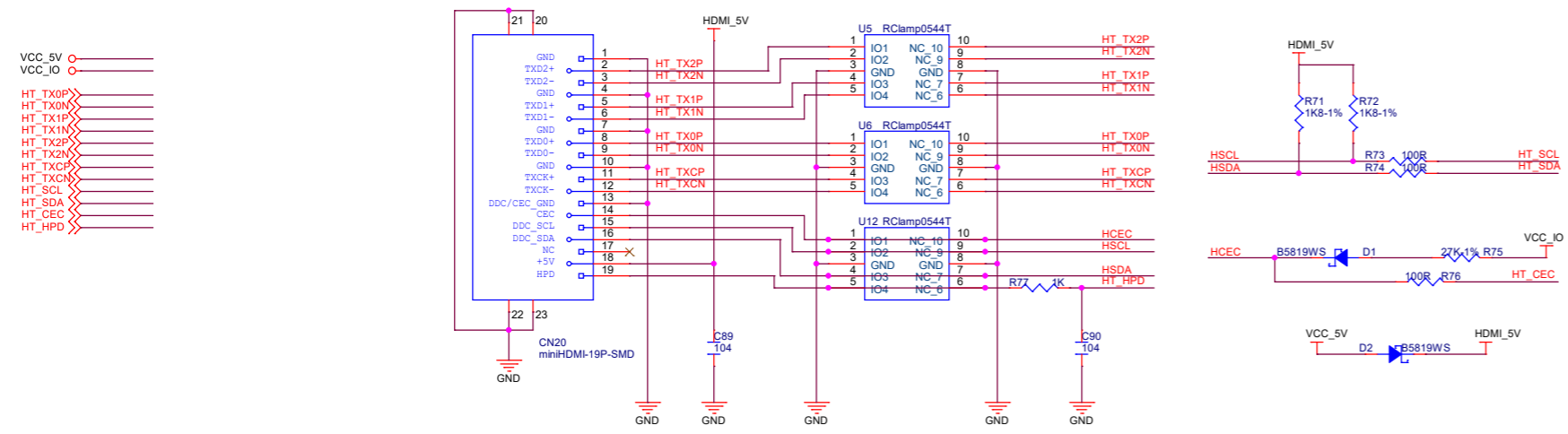
1V8



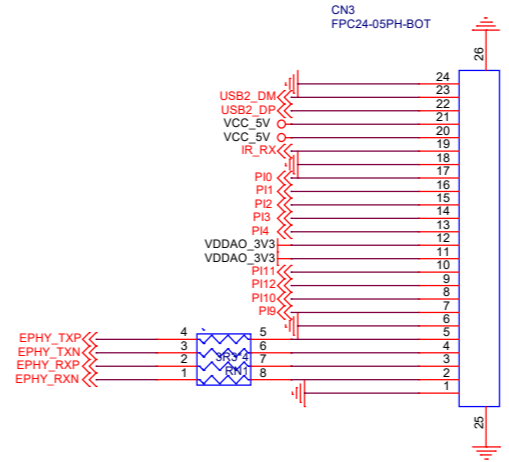
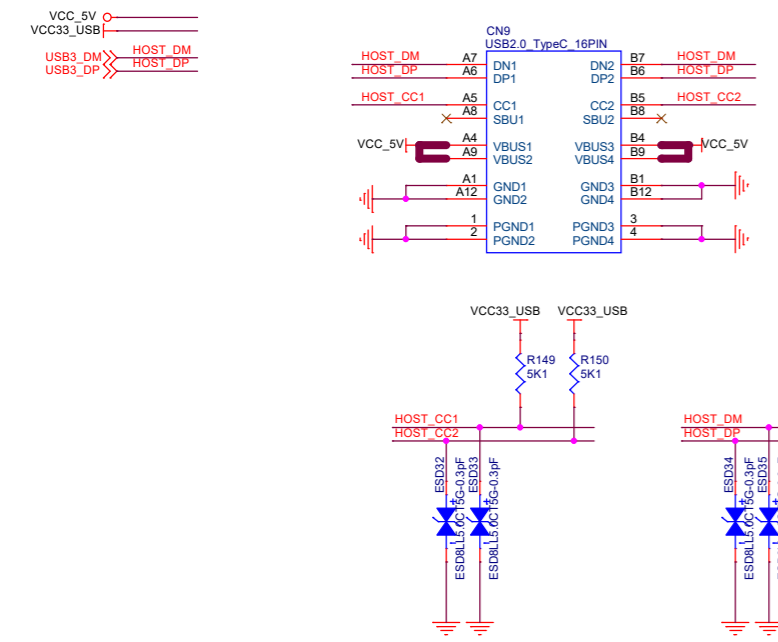
3V3 DCDC



HDMI



FPC GPIO



A/V



WiFi

