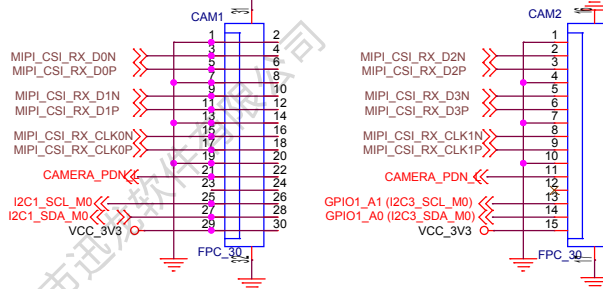
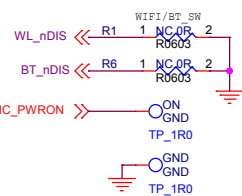
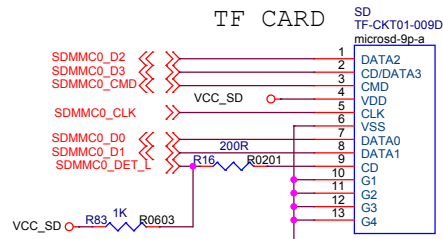
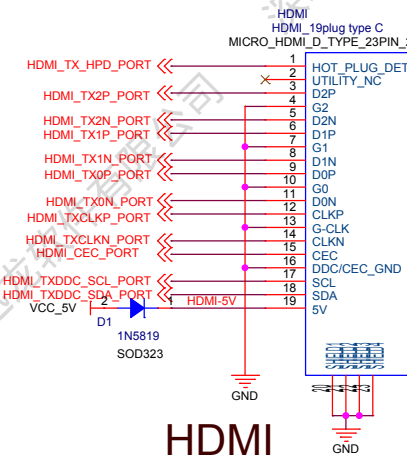
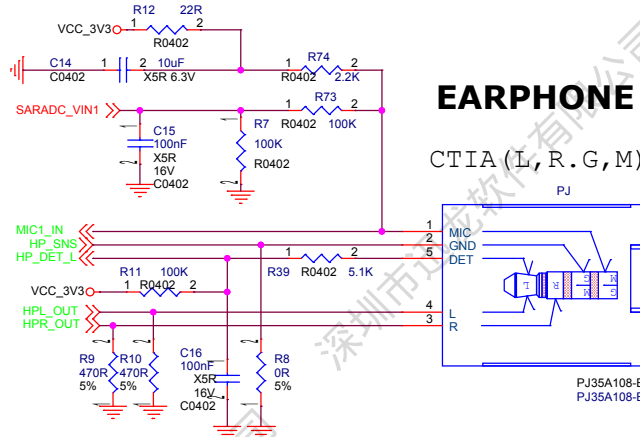
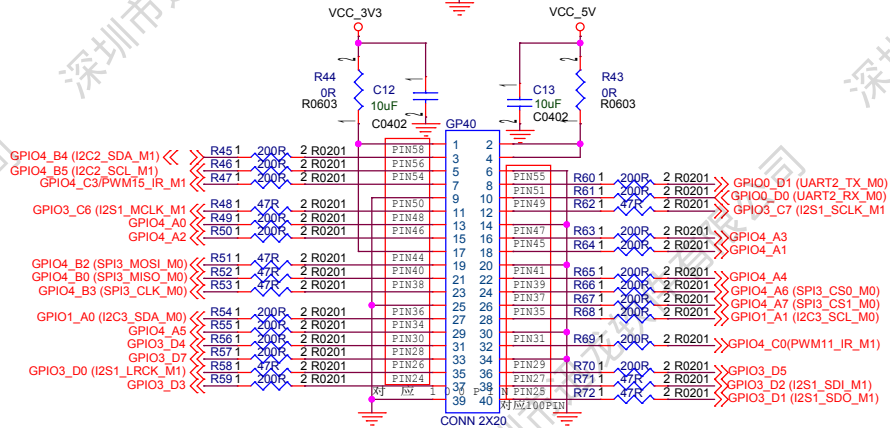
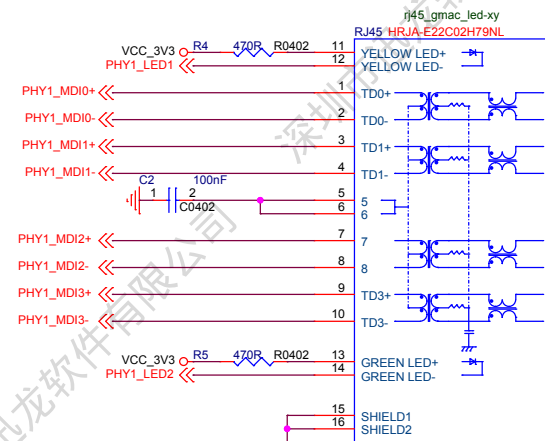
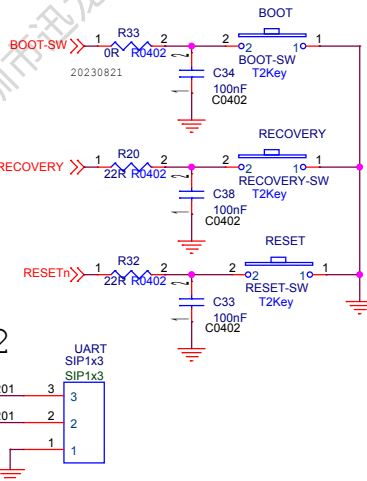
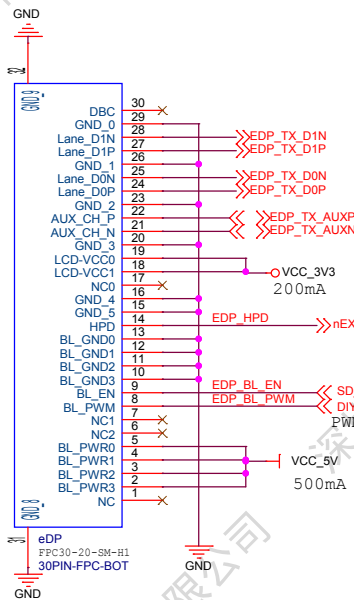
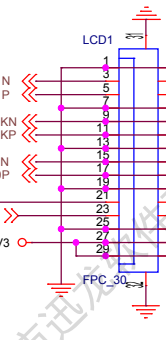
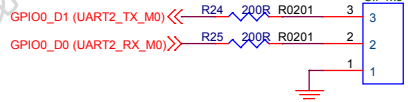


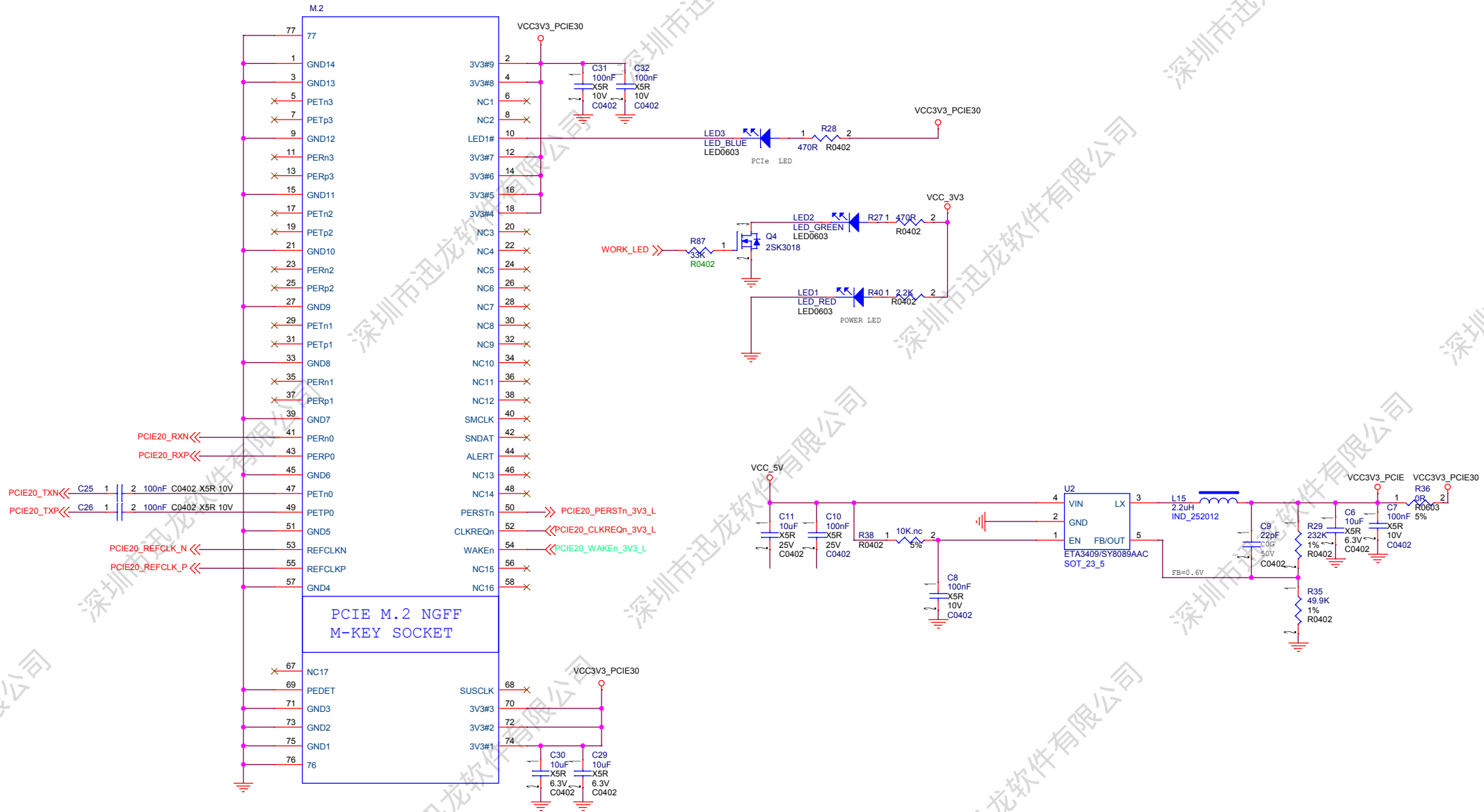
Shenzhen Xunlong Software Co., Ltd			
Title		OPI CM4	
Size	Document Number	MAIN_CON	
A4			Rev 1.1
Date:	Monday, September 18, 2023	Sheet 1	of 4



Debug UART2



Shenzhen Xunlong Software Co., Ltd			
Title: OPI CM4			
Size A3	Document Number	IO_CON	
Date: Monday, September 18, 2023	Sheet 2	of 4	
		Rev 1.1	



Shenzhen Xunlong Software Co., Ltd			
Title		OPI CM4	
Size	Document Number	PCIe_CON	
A3			Rev 1.1
Date:	Monday, September 18, 2023	Sheet	4 of 4