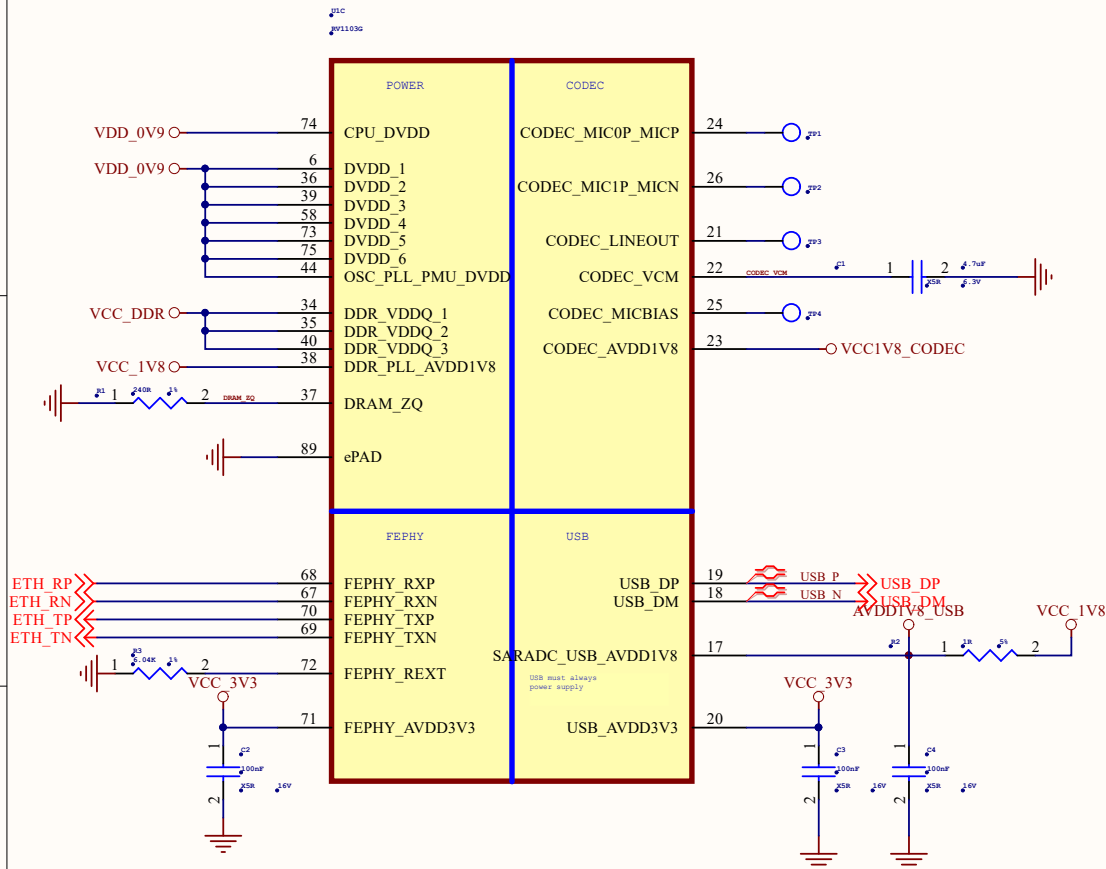
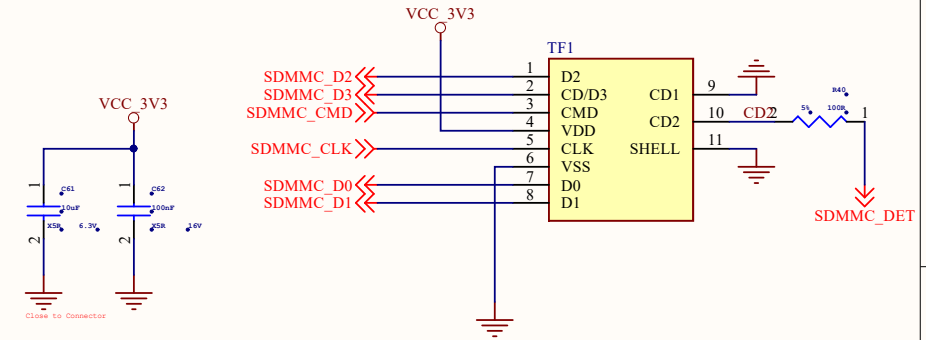


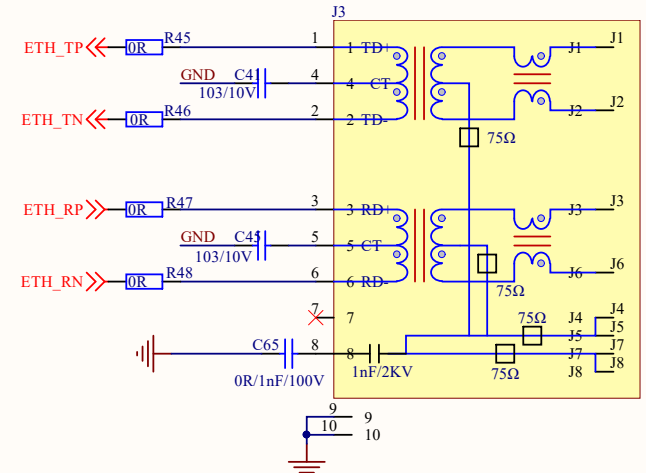
PART C



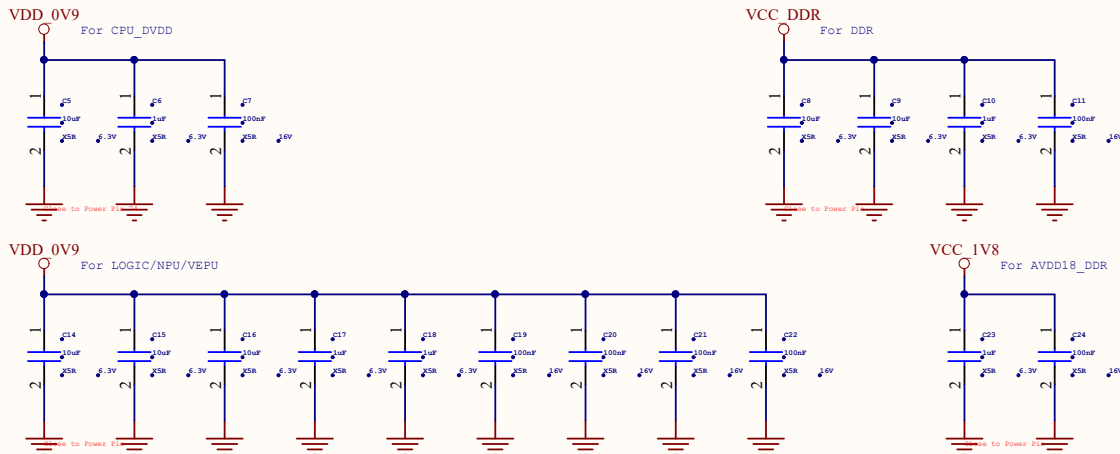
Micro-SD Card



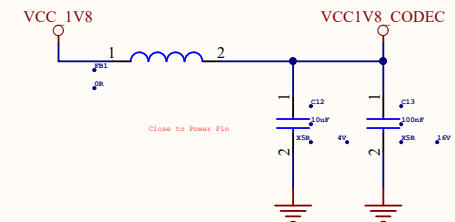
ETH



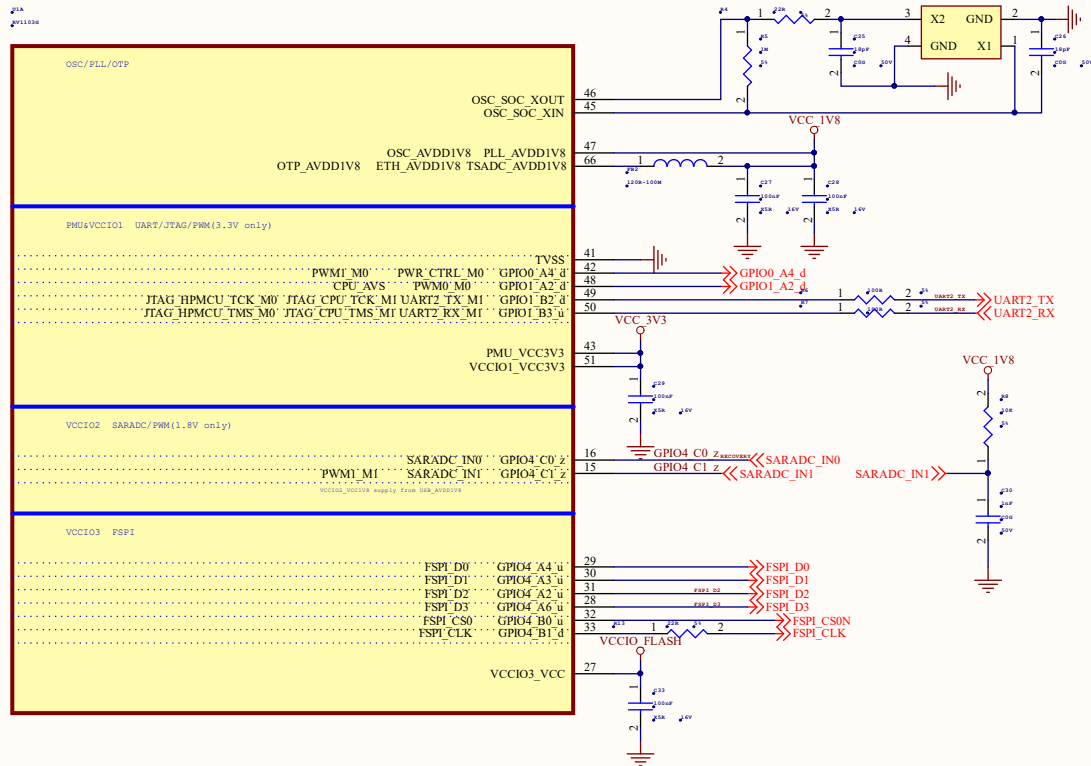
POWER



Luckfox Pico Plus

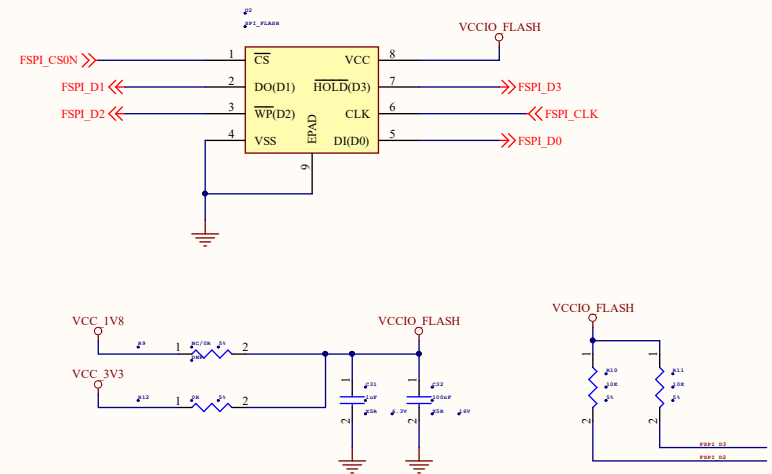


PART A

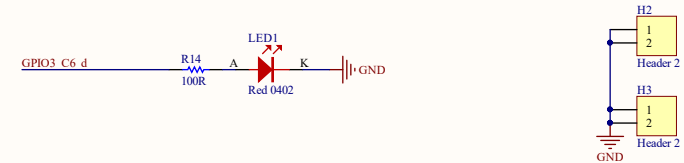


SPI Flash

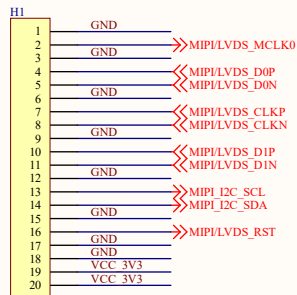
NOTE:  
Refer to the latest AVL for parts selection.



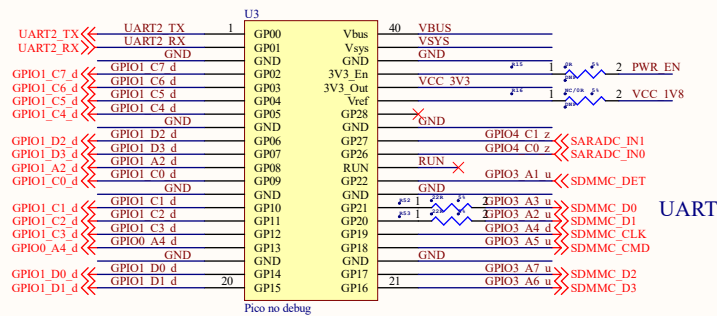
LED



CAM

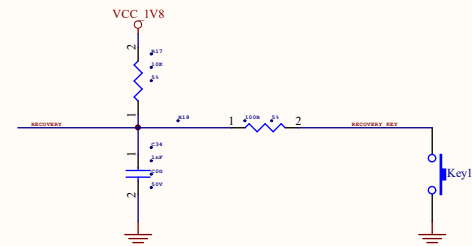


Pin Out



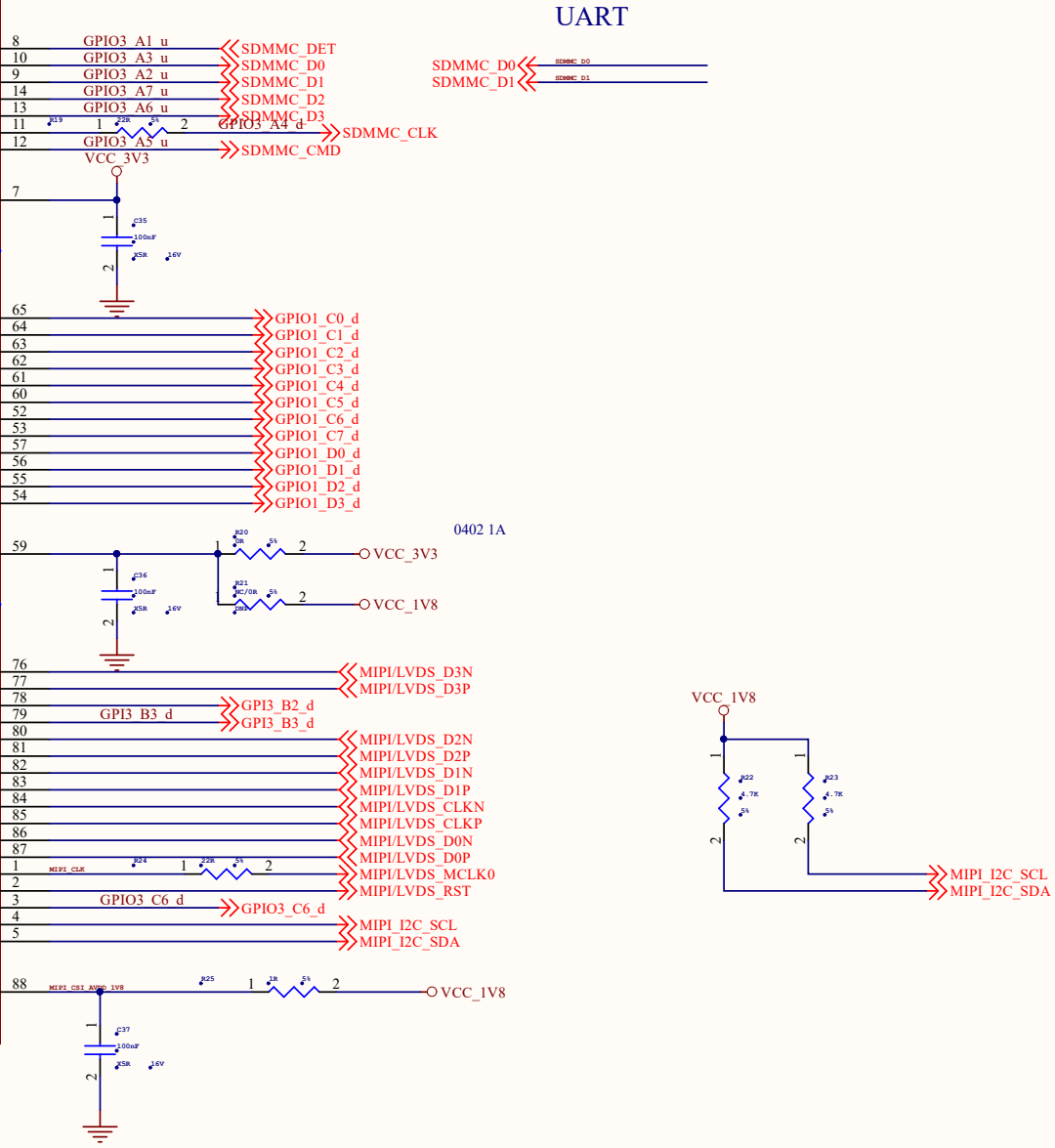
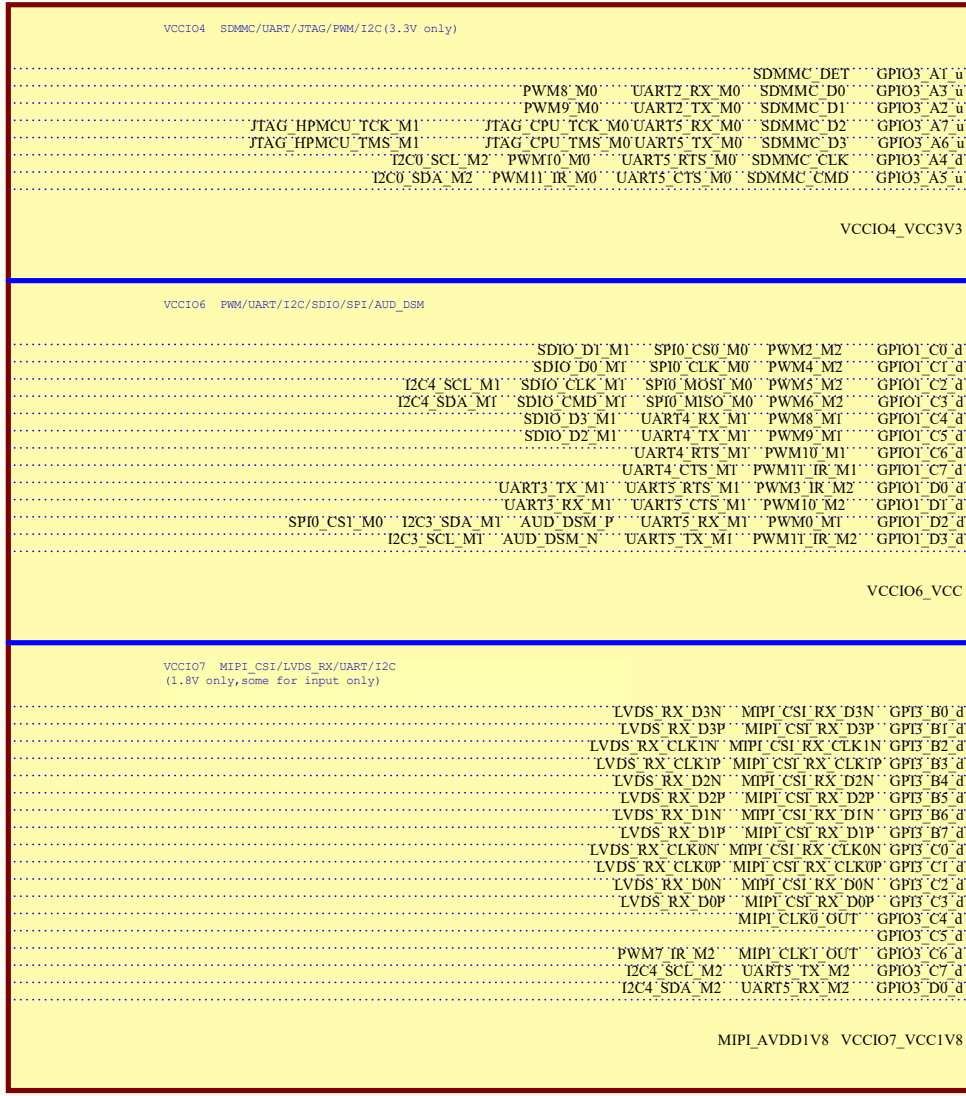
RECOVERY Key

Note:  
SARADC\_IN0 must always be pulled-up.



PART B

J18  
jv1103g



UART

SDMMC\_D0 << SDMMC\_D0  
SDMMC\_D1 << SDMMC\_D1

0402 1A

MIPI\_I2C\_SCL  
MIPI\_I2C\_SDA

