



DATA SHEET

NVIDIA Jetson Orin Nano Series

Ampere GPU + ARM Cortex-A78AE CPU + LPDDR5

NVIDIA Jetson Orin Nano Modules:

- Jetson Orin Nano 8GB (ON 8GB) - Ampere GPU + ARM Cortex-A78AE CPU + 8GB LPDDR5
- Jetson Orin Nano 4GB (ON 4GB) - Ampere GPU + ARM Cortex-A78AE CPU + 4GB LPDDR5

References to ON and Jetson Orin Nano can be read as Jetson Orin Nano 8GB and Jetson Orin Nano 4GB except where explicitly noted.

AI Performance

Jetson Orin Nano 8GB: Up to 40 (Sparse) INT8 TOPs and 20 (Dense) INT8 TOPs

Jetson Orin Nano 4GB: Up to 20 (Sparse) INT8 TOPs and 10 (Dense) INT8 TOPs

Ampere GPU

Jetson Orin Nano 8GB: 1024 NVIDIA® CUDA® cores | 32 Tensor cores

Jetson Orin Nano 4GB: 512 NVIDIA® CUDA® cores | 16 Tensor cores

End-to-end lossless compression | Tile Caching | OpenGL® 4.6 | OpenGL ES 3.2 | Vulkan™ 1.1^o | CUDA 10

Maximum Operating Frequency: 625 MHz

ARM Cortex-A78AE CPU

Six-core (ON 8GB and ON 4GB) Cortex A78AE ARMv8.2 (64-bit) heterogeneous multi-processing (HMP) CPU architecture | 2x clusters (1x 4-core cluster + 128 KB L1 + 256KB L2 per core + 2MB L3) + 1x 2-core cluster (128 KB L1 + 256KB L2 per core + 2MB L3) | System Cache: 4 MB (shared across all clusters)

Audio

Dedicated programmable audio processor | ARM Cortex A9 with NEON | PDM in/out | Industry-standard High-Definition Audio (HDA) controller provides a multi-channel audio path to the HDMI® interface

Memory

ON 8GB: 8GB 128-bit LPDDR5 DRAM

ON 4GB: 4GB 64-bit LPDDR5 DRAM

Secure External Memory Access Using TrustZone® Technology | System MMU | Maximum Operating Frequency: 2133 MHz

Networking

10/100/1000 BASE-T Ethernet | Media Access Controller (MAC)

Imaging

Eight lanes MIPI CSI-2 | D-PHY 2.1 (20 Gbps)

Display Controller

1x4K30 DP 1.2 (+MST for 2x 1080p60), HDMI 1.4, eDP 1.4

*See the Display section for more details on additional compatibility to DP 1.4a and HDMI 2.1

Maximum Resolution (eDP/DP/HDMI): up to 3840x2160 at 30 Hz

Multi-Stream HD Video and JPEG

Video Decode:

- Standards supported: H.265 (HEVC), H.264, VP9, AV1
 - 1x4K60 (H.265)
 - 2x4K30 (H.265)
 - 5x1080p60 (H.265)
 - 11x1080p30 (H.265)

Video Encode:

- 1080p30 Supported via CPU Cores with Software

Peripheral Interfaces

xHCI host controller with integrated PHY (up to) 3x USB 3.2, 3x USB 2.0 | 3 x1 (or 1 x2 + 1 x1) + 1 x4 (GEN3) PCIe | 3x UART | 2x SPI | 4x I²C | 1x CAN | DMIC | DSPK | 2x I²S | 15x GPIOs

Storage

Supports External Storage (NVMe)

Mechanical

Module Size: 69.6 mm x 45 mm | 260 pin SO-DIMM Connector

Operating Requirements

Temp. Range (T_J)*: -25°C – 90°C | Supported Power Input: 5V – 20V
Jetson Orin Nano 8GB Modes: 7W | 15W
Jetson Orin Nano 4GB Modes: 5W | 10W

Note: Refer to the Software Features section of the latest L4T Development Guide for a list of supported features; all features may not be available.

^o Product is based on a published Khronos Specification and is expected to pass the Khronos Conformance Process. Current conformance status can be found at www.khronos.org/conformance.

* See the future *Jetson Orin Nano Thermal Design Guide* for details.



Revision History

Version	Date	Description
v0.1	September 20, 2022	Initial preliminary release



Table of Contents

1.0 Functional Overview	4
1.1 Ampere GPU	4
1.1.1 Compute Features	4
1.1.2 Graphic Features	5
1.1.3 GPU Architecture	5
1.2 Cortex CPU Complex	5
1.3 Memory Subsystem	6
1.4 Memory	7
1.5 Video Input Interfaces	7
1.5.1 MIPI Camera Serial Interface (CSI)	7
1.5.2 Video Input (VI)	9
1.5.3 Image Signal Processor (ISP)	9
1.6 Sensor Processing Engine	10
1.7 Security Subsystem	10
1.7.1 Platform Security Controller	10
1.7.2 Security Engine	10
1.8 Display Controller	11
1.9 High-Definition Audio-Video Subsystem	12
1.9.1 Multi-Standard Video Decoder	12
1.9.2 Video Image Compositor (VIC)	13
1.9.3 Audio Processing Engine (APE)	14
1.9.4 High-Definition Audio (HDA)	14
1.10 Interface Descriptions	14
1.10.1 Universal Serial Bus (USB)	15
1.10.2 PCI Express (PCIe)	16
1.10.3 Serial Peripheral Interface (SPI)	18
1.10.4 Universal Asynchronous Receiver/Transmitter (UART)	19
1.10.5 Controller Area Network (CAN)	20
1.10.6 Inter-Chip Communication (I ² C)	21
1.10.7 Inter-IC Sound (I ² S)	21
1.10.8 Gigabit Ethernet	22
1.10.9 Fan	23
1.10.10 Pulse Width Modulator (PWM)	23
2.0 Power and System Management	24
2.1 Power Rails	25
2.2 Power Domains/Islands	25
2.3 Power Management Controller (PMC)	25
2.4 Resets	25
2.5 PMIC_BBAT	25
2.6 Power Sequencing	25
2.6.1 Power Up	26
2.6.2 Power Down	26
2.7 Power States	26
2.7.1 ON State	26
2.7.2 OFF State	26
2.7.3 SLEEP State	27
2.8 Thermal and Power Monitoring	27
3.0 Pin Definitions	28
3.1 Power-on Reset Behavior	28
3.2 Sleep Behavior	28
3.3 GPIO	29
3.4 Jetson Orin Nano Pin List	30
4.0 DC Characteristics	33
4.1 Operating and Absolute Maximum Ratings	33
4.2 Digital Logic	33
5.0 Package Drawing and Dimensions	34



1.0 Functional Overview

The NVIDIA® Jetson Orin™ Nano brings AI supercomputer performance to the edge in a compact system-on-module (SOM) which is smaller than a credit card. Jetson Orin Nano is built around a low-power version of the NVIDIA Orin SoC, combining the NVIDIA Ampere™ GPU architecture with 64-bit operating capability, integrated advanced multi-function video and image processing, and NVIDIA Deep Learning Accelerators.

Compute performance up to 40 (S) INT8 TOPs and 20 (D) INT8 TOPs on the Jetson Orin Nano 8GB and up to 20 (S) INT8 TOPs and 10 (D) INT8 TOPs on the Jetson Orin Nano 4GB enables these modules to run multiple neural networks in parallel and process data from multiple high-resolution sensors simultaneously. It also offers a unique combination of performance and power advantages with a rich set of I/Os, from high-speed CSI and PCIe to low-speed I²Cs and GPIOs, allowing embedded and edge computing devices that demand increased performance but are constrained by size, weight, and power budgets.

1.1 Ampere GPU

The NVIDIA Ampere GPU introduces a new design for the Streaming Multiprocessor (SM) that dramatically improves performance per watt and performance per area, along with supporting Tensor Cores and TensorRT cores. Ampere GPUs improve on the previous NVIDIA Turing™ generation; and are software compatible so that the same APIs are used.

The NVIDIA Ampere Architecture GPU has several enhancements for compute and graphics capability that include:

- Sparsity: fine grained structured sparsity doubles throughput and reduces memory usage.
- 2x CUDA floating-point performance: higher compute math speed.
- SM architecture improves bandwidth to the L1 cache and shared memory and reduces L1 miss latency.
- Improved async compute, and post-L2 cache compression compared to NVIDIA Turing.

1.1.1 Compute Features

Ampere introduces third-generation NVIDIA Tensor Cores which offer a wider range of precisions including TensorFloat-32 (TF32), bfloat16, FP16, and INT8 all of which provide unmatched versatility and performance.

TensorFloat-32 (TF32) is a new format that uses the same 10-bit Mantissa as half-precision (FP16) math and is shown to have more than sufficient margin for the precision requirements of AI workloads. In addition, since the TF32 adopts the same 8-bit exponent as FP32 it can support the same numeric range.

Ampere adds support for structured sparsity. Not all the parameters of modern AI networks are needed for accurate predictions and inference, and some can be converted to zeros to make the models “sparse” without compromising accuracy. The Tensor Cores in Ampere can provide up to 2x higher performance for inference of sparse models.

Ampere supports Compute Data Compression which can accelerate unstructured sparsity and other compressible data patterns. Compression in L2 provides up to a 4x improvement in DRAM read/write bandwidth, up to 4x improvement in L2 read bandwidth, and up to a 2x improvement in L2 capacity.

Ampere also supports many other enhancements for higher compute throughput.

Table 1: GPU Operation

Module	CUDA Cores	Tensor Cores	Operating Frequency per Core (up to)
Jetson Orin Nano 8GB	1024	32	625 MHz
Jetson Orin Nano 4GB	512	16	625 MHz

1.1.2 Graphic Features

Ampere graphics capabilities include:

- End-to-end lossless compression, including Post-L2 compression, enabling compression of M stores.
- Tiled Caching
- OpenGL 4.6+, Vulkan 1.2+, CUDA 10.2+
- Adaptive Scalable Texture Compression (ASTC) LDR profile supported
- Modern Graphics features:
 - Ray Tracing
 - DL Inferencing
 - Mesh Shaders
 - Sampler Feedback
 - Variable Rate Shading
 - Texture LOD in compute programs
- Iterated blend, ROP OpenGL-ES blend modes
- 2D BLIT from 3D class avoids channel switch
- 2D color compression
- Constant color render SM bypass
- 2x, 4x, 8x MSAA with color and Z compression
- Non-power-of-2 and 3D textures, FP16 texture filtering
- FP16 shader support
- Geometry and Vertex attribute Instancing
- Parallel pixel processing
- Early-z reject: Fast rejection of occluded pixels acts as multiplier on pixel shader and texture performance while saving power and bandwidth
- Video protection region

1.1.3 GPU Architecture

There are multiple texture processing clusters (TPC) units within a graphics processing cluster (GPC), each TPC includes two SMs, a Polymorph Engine, two Texture Units, and a RayTracing core (RTcore). Each GPC includes a Raster Engine (ROP), which can access all of memory. Each SM is partitioned into four separate processing blocks, each with its own instruction buffer, scheduler and 128 CUDA cores.

The GPC is a dedicated hardware block for rasterization, shading, texturing, and compute. The GPU's core graphics functions are performed inside the GPC. Inside the GPC, the SM CUDA cores perform pixel/vertex/geometry shading and physics/compute calculations. Texture units perform texture filtering and load/store units fetch and save data to memory. Special Function Units (SFUs) handle transcendental and graphics interpolation instructions. Tensor cores perform matrix multiplies to greatly accelerate DL inferencing. The RTcore unit assists Ray Tracing by accelerating Bounding Volume Hierarchy (BVH) traversal and intersection of scene geometry during Ray Tracing.

Finally, the PolyMorph engine handles vertex fetch, tessellation, viewport transform, attribute setup, and stream output. The SM geometry and pixel processing performance make it highly suitable for rendering advanced user interfaces and complex gaming applications. The power efficiency of the Ampere GPU enables this performance on devices with power-limited environments.

1.2 Cortex CPU Complex

The CPU cluster is comprised of six cores of ARM Cortex-A78AE Core processors organized as one quad-core clusters, and one dual-core cluster. Clusters contain private L1 and L2 caches per core, a Snoop Control Unit (SCU), and a cluster-level L3 cache (shared by the four cores), an interconnect fabric and debug support modules (CoreSight).



Features:

- Superscalar, variable-length, out-of-order pipeline.
- Dynamic branch prediction with Branch Target Buffer (BTB) and a branch direction predictor using previous branch history, a return stack, a static predictor, and an indirect predictor.
- A 1.5K entry, 4-way skewed associative L0 Macro-OP (MOP) cache.
- 32-entry fully-associative L1 instruction TLB with native support for 4KB, 16KB, 64KB, and 2MB page sizes.
- 32-entry fully-associative L1 data TLB with native support for 4KB, 16KB, 64KB, 2MB, and 512MB page sizes.
- 4-way set-associative unified 1024-entry Level 2 (L2) TLB in each processor.
- L1 caches – separate 64 KB I-cache and 64 KB D-cache for each core.
- L2 cache – a unified, 8-way set associative, 256 KB L2 cache per core.
- 40-bit Physical Address (PA)

Cortex-A78AE CPU supports:

- Full implementation of ARMv8.2-A architecture instruction set and select instructions from ARMv8.3-A, ARMv8.4-A, and ARMv8.5-A extensions.
- Embedded Trace Microcell (ETM) based on the ETMv4.2 architecture.
- Performance Monitor Unit (PMU) based on the PMUv3 architecture.
- CoreSight for debugging based on CoreSightv3 architecture.
- Cross Trigger Interface (CTI) for multiprocessor debugging.
- Generic Timer Interface based on ARMv8-A architecture and 64-bit count input from external system counter.
- Cryptographic Engine for crypto function support.
- Interface to an external Generic Interrupt Controller based on GICv3 architecture.
- Power management with multiple power domains.

Table 2: CPU Operation

Module	CPU Cores	CPU Maximum Frequency
Orin Nano 8GB	6	1.5 GHz
Orin Nano 4GB	6	1.5 GHz

1.3 Memory Subsystem

8GB 128-bit LPDDR5 DRAM is used on the Jetson Orin Nano 8GB, and 4GB 64-bit LPDDR5 DRAM is used in the Jetson Orin Nano 4GB. It supports the following:

- Secure external memory access using TrustZone technology
- System MMU
- Maximum operating frequency: 2133 MHz

The Memory Subsystem (MSS) provides access to local DRAM, SysRAM, and provides a SyncPoint Interface for inter-processor signaling. The MSS supports full-speed I/O coherence by routing requests through a scalable coherence fabric. It also supports a comprehensive set of safety and security mechanisms.

Structurally, the MSS consists of:

- 1 MSS Data Backbone - routes requests from clients to the MSS Hub and responses from MSS Hub to the clients.
- 2 MSS Hub - receives and arbitrates among client requests, performs SMMU translation, and sends requests to MCF.
- 3 Memory Controller Fabric (MCF) - performs security checks, feeds I/O coherent requests to the Scalable Coherence Fabric (SCF), and directs requests to the multiple memory channels.
- 4 Memory Controller (MC) Channels - row sorter/arbitrer and DRAM controllers.
- 5 DRAM I/O - channel-to-pad fabric, DRAM I/O pads, and PLLs.



Jetson Orin Nano provides three independent column address bits to each sub-partition, allowing it access different 32-byte sectors of a GOB between the sub-partitions. It provides connections between a wide variety of clients, supporting their bandwidth, latency, quality-of-service needs, and any special ordering requirements that are needed. The MSS supports a variety of security and safety features and address translation for clients that use virtual addresses.

Features:

- LPDDR5
- 64-bit or 128-bit wide data bus
- Low latency path and fast read/response path support for the CPU complex cluster
- Support for low-power modes:
 - Software controllable entry/exit from self-refresh, power down, and deep power down
 - Hardware dynamic entry/exit from power down, self-refresh
 - Pads use DPD mode during idle periods
- High-bandwidth interface to the integrated Ampere GPU
- Full-speed I/O coherence with bypass for Isochronous (ISO) traffic
- System Memory-Management Unit (SMMU) for address translation based on the ARM SMMU-500
- High-bandwidth PCIe ordered writes
- AES-XTS encryption with 128-bit key

1.4 Memory

The Jetson Orin Nano 8GB integrates 8GB 128-bit LPDDR5 DRAM, and Jetson Orin Nano 4GB integrates 4GB 64-bit LPDDR5 DRAM. Maximum frequency of Jetson Orin Nano Memory is 2133 MHz. The theoretical peak memory bandwidth on Orin Nano 8GB is 68 GB/s, and on Orin Nano 4GB is 34 GB/s.

The Memory Controller (MC) maximizes memory utilization while providing minimum latency access for critical CPU requests. An arbiter is used to prioritize requests, optimizing memory access efficiency and utilization and minimizing system power consumption. The MC provides access to main memory for all internal devices. It provides an abstract view of memory to its clients via standardized interfaces, allowing the clients to ignore details of the memory hierarchy. It optimizes access to shared memory resources, balancing latency and efficiency to provide best system performance, based on programmable parameters.

Features:

- TrustZone (TZ) Secure and OS-protection regions
- System Memory Management Unit
- Dual CKE signals for dynamic power down per device
- Dynamic Entry/Exit from Self-Refresh and Power Down states

1.5 Video Input Interfaces

1.5.1 MIPI Camera Serial Interface (CSI)

Standard
MIPI CSI 2.0 Receiver specification
MIPI D-PHY® 2.1 Physical Layer specification

The NVIDIA Camera Serial Interface (NVCSI) works with the Video Input (VI) unit to capture an image from a sensor, where NVCSI is a source of pixel data to VI. NVCSI works in streaming mode while VI captures the required frames using a single-shot mode of operation. All sync point generation for software is handled at VI; the delay between NVCSI and VI is negligible in software terms. NVCSI does not have a direct memory port, instead it sends the pixel data to memory through the VI.



Fifth-generation NVIDIA camera solution (NVCSI 2.0, VI 5.0, and ISP 6.x) provides a combination host that supports enhanced MIPI D-PHY (with lane deskew support) physical layer options in two 4-lane or four 2-lane configurations; or combinations of these. Orin Nano can support up to 16 virtual channels (VC) and supports data type interleaving.

- Virtual Channel Interleaving: VCs are defined in the CSI-2 specification and are useful when supporting multiple camera sensors. With the VC capability, a one-pixel parser (PP) can de-interleave up to 16 image streams.
- Data Type Interleaving: In HDR line-by-line mode, the sensor can output long/short exposure lines using the same VC and a different programmable data type (DT).
- Frequency Target: The parallel pixel processing rate, measured in pixels-per-clock (PPC), is increased to allow higher throughput and lower clock speeds. To support higher bandwidth without increasing the operating frequency, the host processes multiple pixels in one clock. NVCSI is capable of processing four PPCs when bits-per-pixel (BPP) is greater than 16, and eight PPC when BPP is less than or equal to 16.
- With the new streaming mode in NVCSI, one PP can handle all traffic (embedded data and image data) from one camera device, including 16 VCs.

Features:

- Supports the MIPI D-PHY v2.1 physical layer option:
 - MIPI D-PHY supports up to 2.5 Gbits/sec per pair, for an aggregate bandwidth of 20 Gbps from eight pairs
- Based on MIPI CSI-2 v3.0 protocol stack
- Includes six-pixel parsers (PP)
- Supports up to 16 virtual channels
- Supported input data formats:
 - RGB: RGB888, RGB666, RGB565, RGB555, RGB444
 - YUV: YUV420-8b (legacy), YUV420-8b
 - RAW: RAW6, RAW7, RAW8, RAW10, RAW12, RAW14, RAW16,
- Data Type Interleave support

Table 3: CSI Pin Descriptions

Pin #	Signal Name	Description	Direction	Pin Type
10	CSI0_CLK_N	Camera, CSI 0 Clock-	Input	MIPI D-PHY
12	CSI0_CLK_P	Camera, CSI 0 Clock+	Input	MIPI D-PHY
4	CSI0_D0_N	Camera, CSI 0 Data 0-	Input	MIPI D-PHY
6	CSI0_D0_P	Camera, CSI 0 Data 0+	Input	MIPI D-PHY
16	CSI0_D1_N	Camera, CSI 0 Data 1-	Input	MIPI D-PHY
18	CSI0_D1_P	Camera, CSI 0 Data 1+	Input	MIPI D-PHY
9	RSVD (CSI1_CLK_N)	Camera, CSI 1 Clock-	Input	MIPI D-PHY
11	RSVD (CSI1_CLK_P)	Camera, CSI 1 Clock+	Input	MIPI D-PHY
3	CSI1_D0_N	Camera, CSI 1 Data 0-	Input	MIPI D-PHY
5	CSI1_D0_P	Camera, CSI 1 Data 0+	Input	MIPI D-PHY
15	CSI1_D1_N	Camera, CSI 1 Data 1-	Input	MIPI D-PHY
17	CSI1_D1_P	Camera, CSI 1 Data 1+	Input	MIPI D-PHY
28	CSI2_CLK_N	Camera, CSI 2 Clock-	Input	MIPI D-PHY
30	CSI2_CLK_P	Camera, CSI 2 Clock+	Input	MIPI D-PHY
22	CSI2_D0_N	Camera, CSI 2 Data 0-	Input	MIPI D-PHY

Pin #	Signal Name	Description	Direction	Pin Type
24	CSI2_D0_P	Camera, CSI 2 Data 0+	Input	MIPI D-PHY
34	CSI2_D1_N	Camera, CSI 2 Data 1-	Input	MIPI D-PHY
36	CSI2_D1_P	Camera, CSI 2 Data 1+	Input	MIPI D-PHY
27	CSI3_CLK_N	Camera, CSI 3 Clock-	Input	MIPI D-PHY
29	CSI3_CLK_P	Camera, CSI 3 Clock+	Input	MIPI D-PHY
21	CSI3_D0_N	Camera, CSI 3 Data 0-	Input	MIPI D-PHY
23	CSI3_D0_P	Camera, CSI 3 Data 0+	Input	MIPI D-PHY
33	CSI3_D1_N	Camera, CSI 3 Data 1-	Input	MIPI D-PHY
35	CSI3_D1_P	Camera, CSI 3 Data 1+	Input	MIPI D-PHY

Table 4: Camera Pin Descriptions

Pin #	Signal Name	Description	Direction	Pin Type
116	CAM0_MCLK	Camera 0 Reference Clock	Bidir	CMOS – 1.8V
114	CAM0_PWDN	Camera 0 Powerdown or GPIO	Bidir	CMOS – 1.8V
122	CAM1_MCLK	Camera 1 Reference Clock	Bidir	CMOS – 1.8V
120	CAM1_PWDN	Camera 1 Powerdown or GPIO	Bidir	CMOS – 1.8V

1.5.2 Video Input (VI)

The VI block receives data from the CSI receiver and prepares it for presentation to system memory or the dedicated image signal processor execution resources. The VI block provides formatting for RGB, YCbCr, and raw Bayer data in support of several camera user models. These models include single and multi-camera systems, which may have up to six active streams. The input streams are obtained from MIPI compliant CMOS sensor camera modules.

1.5.3 Image Signal Processor (ISP)

The ISP module takes data from the VI/CSI module or memory in raw Bayer format and processes it to YUV output. The imaging subsystem supports raw (Bayer) image sensors up to 10 million pixels. Advanced image processing is used to convert input to YUV data and remove artifacts introduced by high-megapixel CMOS sensors and optics with up to 30-degree CRA.

The ISP in the Jetson Orin Nano supports a maximum frequency of 704 MHz, with two pixels/clock is equivalent to approximately 1408 MPixels.

Features:

- Flexible post-processing architecture for supporting custom computer vision and computational imaging operations.
- Hardware noise reduction
- Black-level compensation
- Lens-shading compensation
- Bad pixel correction
- Edge enhancement
- Color and gamma correction
- Global and local tone mapping
- Color-space conversion (RGB to YUV)

1.6 Sensor Processing Engine

The Cortex-R5 processor in the Always On (AON) block is also referred to as the Sensor Processing Engine (SPE). The AON cluster provides all the necessary hardware features to support low power sensor management and wake use cases. The cluster consists of an Arm Cortex-R5 processor core with a tightly coupled RAM, supporting peripherals (such as timers and an interrupt controller), various I/O controller peripherals, and routing logic.

AON Cortex-R5 implementation:

- Arm v7-R ISA
- Integrated instruction and data caches
- Tightly coupled memory (TCM) interface for local SRAM
- Vectored interrupt support
- 64-bit AXI Initiator interface for DRAM requests
- 32-bit AXI Initiator interface for MMIO requests
- 32-bit AHB Initiator interface for Arm Vectored Interrupt Controller (AVIC) access
- AXI Target interface for DMA access to the local SRAM

1.7 Security Subsystem

This subsystem is comprised of the following:

- Platform Security Controller (PSC)
- Security Engine (SE)

1.7.1 Platform Security Controller

The Platform Security Controller (PSC) is a highly secure subsystem to protect and manage assets (keys, fuses, functions, and features) within the SoC, provide trusted services, increase resilience against attacks on the SoC, and provide a greater level of protection against software and hardware attacks on the subsystem itself.

Key Management and Protection: The PSC will be the only mechanism with access to the most critical secrets in the chip. This subsystem represents the highest level of protection in Orin and the subsystem itself is highly resilient to a wide range of software and hardware attacks.

Trusted Services: The primary PSC services include secure authentication (for example, during SoC secure boot), provisioning of additional keys, ID, data, key access and management, random number generation, and trusted time reporting.

Security Monitor: The PSC will be responsible for periodic security housekeeping tasks, including continually assessing the security status of the SoC, actively monitor known or potential attack patterns (for example, such as voltage glitching or thermal attacks), mitigate hardware attack risks, and to take action in the case of a detected attack. The PSC will have the ability to accept updates as workarounds to improve the robustness of the system in the field.

1.7.2 Security Engine

The Security Engine (SE) provides hardware acceleration for cryptographic algorithms. There are two instances of SE available for software usage:

- TZ-SE: accessible only by TrustZone software
- NS/TZ-SE: configurable to be accessible only by TrustZone software or TrustZone and non-secure software

The SE provides hardware acceleration for various cryptographic operations and hardware assisted Key protection. The crypto operations that the SE provides can be used by software to build crypto protocols and security features. All of these crypto operations are based on Crypto algorithms approved by the National Institute of Standards and Technology (NIST).

The SE supports the following:

- NIST-compliant asymmetric, symmetric cryptography and hashing
- Side channel countermeasures [AES/RSA/ECC]
- Independent channels for parallelization
- Hardware Key Access Controls (KAC): Rule-based, hardware-enforced access control for symmetric keys
- 16x AES, 4x RSA/ECC key slots
- Hardware key isolation (only AES keyslots)
- Read protection (only AES keyslots)
- Hardware keyslot functions
- Key wrap and unwrap functionality (AES -> AES keyslot)
- Key derivation into a keyslot (KDF -> AES keyslot)
- Random key generation (RNG -> AES keyslot)

1.8 Display Controller

The NVIDIA Jetson Orin Nano provides 1x HDMI and DP port. The HDMI and DisplayPort (DP) interfaces share the same set of interface pins.

The Jetson Orin Nano maximum pixel clock is 388 MHz. 4K @30fps is an example of a resolution that can still be supported with this pixel clock. However, resolutions which require a pixel clock higher than 388 MHz (e.g., 4k@60) cannot be supported. It can support DP 1.2, HDMI 1.4, and eDP 1.4.

Due to the above pixel clock, Jetson Orin Nano will not be able to get official DP/HDMI certification for DP 1.4a and HDMI 2.1. However, software/hardware are still compatible with all other parts of the DP1.4a and HDMI2.1 specs listed below.

HDMI provides a unified method of transferring both audio and video data. The HDMI block receives video from either display controller and audio from a separate high-definition audio (HDA) controller; it combines and transmits them as appropriate.

Supported HDMI features are:

- Compliant to the HDMI 1.4 Specification
- Compatible with HDMI 2.1 Specification
- HDCP 2.2
- On-chip HDCP key storage, no external SecureROM required
- Multichannel audio from HDA controller, up to eight channels 192 kHz 24-bit
- 24-bit RGB and 24-bit YUV444 (HDMI) pixel formats

DisplayPort (DP) is a digital display interface often used to connect a video source to a display device over a cable, in consumer or commercial applications.

For embedded use cases that require multiple display support using MST, DP is intended to interface with SerDes devices that in turn supports up to four displays.



Supported DisplayPort features are:

- Compliant to the DisplayPort 1.2 Specification
- Compatible to the DisplayPort 1.44 Specification
 - Support 16 bpp YUV422
 - Support 18 bpp RGB
 - Support 24 bpp RGB/YUV444
 - Support 30 bpp RGB/YUV444
 - Support 36 bpp RGB/YUV444
- Support up to 388 MHz pixel clock
- Support for 1/2/4 lanes
- Support for following bit rates:
 - RBR (Reduced Bit Rate, 1.62 Gbps)
 - HBR (High Bit Rate, 2.7 Gbps)
 - HBR2 (High Bit Rate 2, 5.4 Gbps)
 - HBR3 (High Bit Rate 3, 8.1 Gbps)
- Multi-Stream Transport (MST)
- Support for 2-8 channel audio streaming up to 96 kHz sample rate
- Support additional eDP 1.4 features:
 - Additional link rates (2.16, 2.43, 3.24, 4.32 Gbps)
 - Enhanced framing
 - Power sequencing
 - Reduced AUX timing
 - Reduced main voltage swing
 - Alternate Seed Scrambler Reset (ASSR) for internal eDP panels

1.9 High-Definition Audio-Video Subsystem

Standard
High-Definition Audio Specification Version 1.0a

The HD Audio-Video Subsystem uses a collection of functional blocks to off-load audio and video processing activities from the CPU complex, resulting in fast, fully concurrent, and highly efficient operation. This subsystem is comprised of the following:

- Multi-standard video decoder
- Video Image Compositor (VIC)
- Audio Processing Engine (APE)
- High-Definition Audio (HDA)

1.9.1 Multi-Standard Video Decoder

The Jetson Orin Nano incorporates the NVIDIA Multi-Standard Video Decoder (NVDEC). This video decoder accelerates video decode, supporting low resolution mobile content, Standard Definition (SD), High Definition (HD) and UltraHD (8K, 4K, etc.) video profiles. The video decoder is designed to be extremely power efficient without sacrificing performance. The video decoder communicates with the memory controller through the video DMA which supports a variety of memory format output options. For low-power operations, the video decoder can operate at the lowest possible frequency while maintaining real-time decoding using dynamic frequency scaling techniques.

Video decode standards supported: H.265 (HEVC), H.264, VP9, VP8, AV1, MPEG-4, MPEG-2, and VC-1.

Table 5: Supported Video Decode Streams

Standard	Profile(s)	Resolution (Maximum Number of Streams)	Throughput MPix/s (Up to)	Maximum Cumulative Bitrate (Mbps)
H.264	Baseline, Main, High	4K30 (1) 1080p60 (3) 1080p30 (7)	450	115
	High 444, High 444 Predictive, MVC (per view considering two views) *	1x1080p60 3x 1080p30	225	100
H.265 (HEVC)	Main, Main10	4K60 (1) 4K30 (2) 1080p60 (5) 1080p30 (11)	690	150
	Main 444, Main 444 10, MV (per view)	4K30 (1) 1080p60 (2) 1080p30 (5)	340	100
AV1	Main Profile	4K60 (1) 4K30 (2) 1080p60 (5) 1080p30 (10)	625	75
VP9	Profile 0, Profile 2	4K60 (1) 4K30 (2) 1080p60 (5) 1080p30 (10)	625	100

- * Maximum throughput half for YUV444 – as compared to YUV420
- AV1 Dec: Maximum aggregate Mbps should be <120

1.9.2 Video Image Compositor (VIC)

VIC implements various 2D image and video operations in a power-efficient manner. It handles various system UI scaling, blending, rotation operations, video post-processing functions needed during video playback, and advanced de-noising functions used for camera capture.

Features:

- Color Decompression
- High-quality Deinterlacing
- Inverse Teleciné
- Temporal Noise Reduction
 - New Bilateral Filter as spatial filter
 - Improved TNR3 algorithm
- Scaling
- Color Conversion
- Memory Format Conversion
- Blend/Composite
- 2D Bit BLIT operation
- Rotation
- Geometry Transform Processing
 - Programmable nine-points controlled warp patch for distortion correction
 - Real-time on-the-fly position generation from sparse warp map surface
 - Pincushion/barrel/moustache distortion correction
 - Distortion correction of 180- and 360-degree wide FOV lens
 - Scene perspective orientation adjustment with IPT
 - Full warp map capability
 - Non-fixed Patch size with 4x4 regions
 - External Mask bit map surface

1.9.3 Audio Processing Engine (APE)

The Audio Processing Engine (APE) is a self-contained unit with dedicated audio clocking that enables Ultra Low Power (ULP) audio processing. Software based post processing effects enable the ability to implement custom audio algorithms.

Features:

- 96 KB Audio RAM
- Audio Hub (AHUB) I/O Modules
 - 2x I2S/3x DMIC/2x DSPK Audio Hub (AHUB) Internal Modules
- Sample Rate converter
- Mixer
- Audio Multiplexer
- Audio De-multiplexer
- Master Volume Controller
- Multi-Channel IN/OUT
 - Digital Audio Mixer: 10-in/5-out
 - Up to eight channels per stream
 - Simultaneous Multi-streams
 - Flexible stream routing
 - Parametric equalizer: up to 12 bands
 - Low latency sample rate conversion (SRC) and high-quality asynchronous sample rate conversion (ASRC)

1.9.4 High-Definition Audio (HDA)

Standard
Intel High-Definition Audio Specification Revision 1.0a

The Jetson Orin Nano implements an industry-standard High-Definition Audio (HDA) controller. This controller provides a multi-channel audio path to the HDMI interface. The HDA block also provides an HDA-compliant serial interface to an audio codec. A maximum of four streams are supported.

Features:

- Supports HDMI 2. and DP1.4
- Support up to two audio streams for use with HDMI/DP
- Supports striping of audio out across 1,2,4^[a] SDO lines
- Supports DVFS with maximum latency up to 208 μ s for eight channels
- Supports Multi-Stream Transport (MST)
- Audio Format Support
 - Uncompressed Audio (LPCM): 16/20/24 bits at 32/44.1/48/88.2/96/176.4/192^[b] kHz
 - Compressed Audio format: AC3, DTS5.1, MPEG1, MPEG2, MP3, DD+, MPEG2/4 AAC, TrueHD, DTS-HD

[a] Four SDO lines: cannot support one stream, 48 kHz, 16-bits, two channels; for this case, use a one or two SDO line configuration.

[b] DP protocol sample frequency limitation: cannot support >96 kHz; that is, it does not support 176.4 kHz and 196 kHz.

1.10 Interface Descriptions

The following sections outline the interfaces available on the Jetson Orin Nano module and details the module pins used to interact with and control each interface. See the *Jetson Orin Nano* and *Jetson Orin NX Series Product Design Guide* for complete functional descriptions, programming guidelines, and register listings for each of these blocks.

1.10.1 Universal Serial Bus (USB)

Standard	Notes
Universal Serial Bus Specification Revision 3.2 Gen1 and 2	-
Universal Serial Bus Specification Revision 2.0	<ul style="list-style-type: none"> Modes: Host and Device (Only USB 2.0 port USB0 supports RCM, Host, Device Mode. All other ports are Host only) Speeds: Low, Full, and High USB Battery Charging 1.2 Specifications
Enhanced Host Controller Interface Specification for Universal Serial Bus revision 1.0	-

An xHCI/Device controller (named XUSB) supports the xHCI programming model for scheduling transactions and interface managements as a host that natively supports USB 3.2, USB 2.0, and USB 1.1 transactions with its USB 3.2 and USB 2.0 interfaces. The XUSB controller supports USB 2.0 L1 and L2 (suspend) link power management and USB 3.2 U1, U2, and U3 (suspend) link power managements. The XUSB controller supports remote wakeup, wake on connect, wake on disconnect, and wake on overcurrent in all power states, including sleep mode.

1.10.1.1 USB 2.0 Operation

Each USB 2.0 port (3x) operates in USB 2.0 high-speed mode when connecting directly to a USB 2.0 peripheral and operates in USB 1.1 full- and low-speed modes when connecting directly to a USB 1.1 peripheral. When operating in High-Speed mode, each USB 2.0 port is allocated with one High-Speed unit bandwidth. Approximately a 480 Mb/s bandwidth is allocated to each USB 2.0 port. All USB 2.0 ports operating in full- or low-speed modes share one full- and low-speed bus instance, which means 12 Mb/s theoretical bandwidth is distributed across these ports.

Table 6: USB 2.0 Pin Descriptions

Pin #	Signal Name	Description	Direction	Pin Type
109	USB0_D_N	USB 2.0 Port 0 Data-	Bidir	USB PHY
111	USB0_D_P	USB 2.0 Port 0 Data+	Bidir	USB PHY
115	USB1_D_N	USB 2.0 Port 1 Data-	Bidir	USB PHY
117	USB1_D_P	USB 2.0 Port 1 Data+	Bidir	USB PHY
121	USB2_D_N	USB 2.0 Port 2 Data-	Bidir	USB PHY
123	USB2_D_P	USB 2.0 Port 2 Data+	Bidir	USB PHY

1.10.1.2 USB 3.2 Operation

The USB 3.2 port supports Generation 2 - SuperSpeed USB (10 Gbps transfer rates)

Table 7: USB 3.2 Pin Descriptions

Pin #	Signal Name	Description	Direction	Pin Type
161	USBSS0_RX_N	USB SS Receive- (USB 3.2 Ctrl #0)	Input	USB SS PHY
163	USBSS0_RX_P	USB SS Receive+ (USB 3.2 Ctrl #0)	Input	USB SS PHY
166	USBSS0_TX_N	USB SS Transmit- (USB 3.2 Ctrl #0)	Output	USB SS PHY
168	USBSS0_TX_P	USB SS Transmit+ (USB 3.2 Ctrl #0)	Output	USB SS PHY

Pin #	Signal Name	Description	Direction	Pin Type
39	USBSS1_RX_N	USB SS Receive- (USB 3.2 Ctrl #1)	Input	USB SS PHY
41	USBSS1_RX_P	USB SS Receive+ (USB 3.2 Ctrl #1)	Input	USB SS PHY
45	USBSS1_TX_N	USB SS Transmit- (USB 3.2 Ctrl #1)	Output	USB SS PHY
47	USBSS1_TX_P	USB SS Transmit+ (USB 3.2 Ctrl #1)	Output	USB SS PHY
51	USBSS2_RX_N	USB SS Receive- (USB 3.2 Ctrl #2)	Input	USB SS PHY
53	USBSS2_RX_P	USB SS Receive+ (USB 3.2 Ctrl #2)	Input	USB SS PHY
57	USBSS2_TX_N	USB SS Transmit- (USB 3.2 Ctrl #2)	Output	USB SS PHY
59	USBSS2_TX_P	USB SS Transmit+ (USB 3.2 Ctrl #2)	Output	USB SS PHY

1.10.2 PCI Express (PCIe)

Standard	Notes
PCI Express Base Specification Revision 4.0	

The Jetson Orin Nano module integrates four PCIe controllers supporting:

- Connections to two interfaces, 3 x1 (or 1 x2 + 1 x1) + 1 x4 GEN3.
- x1 and x2 (supports Root Port only), x4 (supports Root Port or Endpoint modes) upstream and downstream AXI interfaces that serve as the control path from the Jetson Orin Nano to the external PCIe device.
- Gen3 (8 GT/s) supported on all controllers/lanes.
- Four PCIe controllers, seven lanes for a total of 56GT/s.
- Controller #0 can operate in x1, x2, or x4 mode.
- Controller #1 operates in x1 mode only.
- Controller #2 can operate in x1, x2 mode.
- Controller #3 is available if Controller #2 is not used or only used in x1 mode. In these cases, Controller #3 can operate in x1 mode.

Table 8: PCIe Pin Descriptions

Pin #	Signal Name	Description	Direction	Pin Type
131	PCIE0_RX0_N	PCIe 0 Receive 0- (PCIe Ctrl #4 Lane 0)	Input	PCIe PHY
133	PCIE0_RX0_P	PCIe 0 Receive 0+ (PCIe Ctrl #4 Lane 0)	Input	PCIe PHY
137	PCIE0_RX1_N	PCIe 0 Receive 1- (PCIe Ctrl #4 Lane 1)	Input	PCIe PHY
139	PCIE0_RX1_P	PCIe 0 Receive 1+ (PCIe Ctrl #4 Lane 1)	Input	PCIe PHY
149	PCIE0_RX2_N	PCIe 0 Receive 2- (PCIe Ctrl #4 Lane 2)	Input	PCIe PHY
151	PCIE0_RX2_P	PCIe 0 Receive 2+ (PCIe Ctrl #4 Lane 2)	Input	PCIe PHY
155	PCIE0_RX3_N	PCIe 0 Receive 3- (PCIe Ctrl #4 Lane 3)	Input	PCIe PHY
157	PCIE0_RX3_P	PCIe 0 Receive 3+ (PCIe Ctrl #4 Lane 3)	Input	PCIe PHY
134	PCIE0_TX0_N	PCIe 0 Transmit 0- (PCIe Ctrl #4 Lane 0)	Output	PCIe PHY
136	PCIE0_TX0_P	PCIe 0 Transmit 0+ (PCIe Ctrl #4 Lane 0)	Output	PCIe PHY
140	PCIE0_TX1_N	PCIe 0 Transmit 1- PCIe Ctrl #4 Lane 1)	Output	PCIe PHY
142	PCIE0_TX1_P	PCIe 0 Transmit 1+ (PCIe Ctrl #4 Lane 1)	Output	PCIe PHY



Pin #	Signal Name	Description	Direction	Pin Type
148	PCIE0_TX2_N	PCIe 0 Transmit 2- (PCIe Ctrl #4 Lane 2)	Output	PCIe PHY
150	PCIE0_TX2_P	PCIe 0 Transmit 2+ (PCIe Ctrl #4 Lane 2)	Output	PCIe PHY
154	PCIE0_TX3_N	PCIe 0 Transmit 3- (PCIe Ctrl #4 Lane 3)	Output	PCIe PHY
156	PCIE0_TX3_P	PCIe 0 Transmit 3+ (PCIe Ctrl #4 Lane 3)	Output	PCIe PHY
181	PCIE0_RST*	PCIe 0 Reset (PCIe Ctrl #4). 4.7kΩ pull-up to 3.3V on the module. Output when Orin Nano is Root Port or input when Orin Nano is Endpoint.	Bidir	Open Drain 3.3V
180	PCIE0_CLKREQ*	PCIe 0 Clock Request (PCIe Ctrl #4). 47kΩ pull-up to 3.3V on the module. Input when Orin Nano is Root Port or output when Orin Nano is Endpoint.	Bidir	Open Drain 3.3V
160	PCIE0_CLK_N	PCIe #0 Reference Clock- (reference clock input when Orin Nano is an Endpoint).	Bidir	PCIe PHY
162	PCIE0_CLK_P	PCIe #0 Reference Clock+ (reference clock input when Orin Nano is an Endpoint).	Bidir	PCIe PHY
167	PCIE1_RX0_N	PCIe 1 Receive 0- (PCIe Ctrl #1 Lane 0)	Input	PCIe PHY
169	PCIE1_RX0_P	PCIe 1 Receive 0+ (PCIe Ctrl #1 Lane 0)	Input	PCIe PHY
172	PCIE1_TX0_N	PCIe 1 Transmit 0- (PCIe Ctrl #1 Lane 0)	Output	PCIe PHY
174	PCIE1_TX0_P	PCIe 1 Transmit 0+ (PCIe Ctrl #1 Lane 0)	Output	PCIe PHY
183	PCIE1_RST*	PCIe 1 Reset (PCIe Ctrl #1). 4.7kΩ pull-up to 3.3V on the module.	Output	PCIe PHY
182	PCIE1_CLKREQ*	PCIe 1 Clock Request (PCIe Ctrl #1). 47kΩ pull-up to 3.3V on the module.	Bidir	PCIe PHY
173	PCIE1_CLK_N	PCIe 1 Reference Clock- (PCIe Ctrl #1)	Output	PCIe PHY
175	PCIE1_CLK_P	PCIe 1 Reference Clock+ (PCIe Ctrl #1)	Output	PCIe PHY
179	PCIE_WAKE*	PCIe Wake. 47kΩ pull-up to 3.3V on the module.	Bidir	Open Drain 3.3V
40	PCIE2_RX0_N	PCIe 2 Receive 0- (PCIe Ctrl #7 Lane 0)	Input	PCIe PHY
42	PCIE2_RX0_P	PCIe 2 Receive 0+ (PCIe Ctrl #7 Lane 0)	Input	PCIe PHY
46	PCIE2_TX0_N	PCIe 2 Transmit 0- (PCIe Ctrl #7 Lane 0)	Output	PCIe PHY
48	PCIE2_TX0_P	PCIe 2 Transmit 0+ (PCIe Ctrl #7 Lane 0)	Output	PCIe PHY
58	PCIE2_RX1_N (PCIE3_RX0_N)	PCIe 2 Receive 1- (PCIe Ctrl #7 Lane 1) or PCIe 3 Receive 0- (PCIe Ctrl #9 Lane 0)	Input	PCIe PHY
60	PCIE2_RX1_P (PCIE3_RX0_P)	PCIe 2 Receive 1+ (PCIe Ctrl #7 Lane 1) or PCIe 3 Receive 0+ (PCIe Ctrl #9 Lane 0)	Input	PCIe PHY
64	PCIE2_TX1_N (PCIE3_TX0_N)	PCIe 2 Transmit 1- (PCIe Ctrl #7 Lane 1) or PCIe 3 Transmit 0- (PCIe Ctrl #9 Lane 0)	Output	PCIe PHY
66	PCIE2_TX1_P (PCIE3_TX0_P)	PCIe 2 Transmit 1+ (PCIe Ctrl #7 Lane 1) or PCIe 3 Transmit 0+ (PCIe Ctrl #9 Lane 0)	Output	PCIe PHY
52	PCIE2_CLK_N	PCIe 2 Reference Clock- (PCIe Ctrl #7)	Output	PCIe PHY
54	PCIE2_CLK_P	PCIe 2 Reference Clock+ (PCIe Ctrl #7)	Output	PCIe PHY

Pin #	Signal Name	Description	Direction	Pin Type
219	PCIE2_RST*	PCIe 2 Reset (PCIe Ctrl #7). 4.7kΩ pull-up to 3.3V on the module.	Output	PCIe PHY
221	PCIE2_CLKREQ*	PCIe 2 Clock Request (PCIe Ctrl #7). 47kΩ pull-up to 3.3V on the module.	Bidir	PCIe PHY
229	PCIE3_CLK_P	PCIe 3 Reference Clock– (PCIe Ctrl #9)	Output	PCIe PHY
227	PCIE3_CLK_N	PCIe 3 Reference Clock+ (PCIe Ctrl #9)	Output	PCIe PHY
223	PCIE3_RST*	PCIe 3 Reset (PCIe Ctrl #9). 4.7kΩ pull-up to 3.3V on the module.	Output	PCIe PHY
225	PCIE3_CLKREQ*	PCIe 3 Clock Request (PCIe Ctrl #9). 47kΩ pull-up to 3.3V on the module.	Bidir	PCIe PHY

See the *Jetson Orin NX and Jetson Orin Nano Product Design Guide* for supported USB 3.2/PCIe configuration and connection examples.

1.10.3 Serial Peripheral Interface (SPI)

The Serial Peripheral Interface (SPI) controller allows a duplex, synchronous, serial communication between the controller and external peripheral devices; it supports both Master and Slave modes of operation on the SPI bus. See the *Jetson Orin NX and Jetson Orin Nano Product Design Guide* for more information.

Features:

- 2x SPI Interface
- Master mode operation
 - All transfer modes (Mode 0, Mode 1, Mode 2, Mode 3) supported for both transmit and receive transactions
- FIFO Size: 64 x 32 bits
- Programmable packet sizes of 4 to 32 bits
- Programmable clock phase and polarity
- Programmable delay between consecutive transfers
- Chip select controllable by software or generated by hardware on packet boundaries

Table 9: SPI Mode Descriptions

SPI Mode	Clock Polarity	Clock Phase	SCK Inactive State	Data Latch In	Data Latch Out
0	0	0	Low	Latched IN on the positive edge of clock	Latched OUT on the negative edge of clock
1	0	1	Low	Latched IN on the negative edge of clock	Latched OUT on the positive edge of clock
2	1	0	High	Latched IN on the negative edge of clock	Latched OUT on the positive edge of clock
3	1	1	High	Latched IN on the positive edge of clock	Latched OUT on the negative edge of clock

Table 10: SPI Pin Descriptions

Pin #	Signal Name	Description	Direction	Pin Type
91	SPI0_SCK	SPI 0 Clock	Bidir	CMOS – 1.8V
89	SPI0_MOSI	SPI 0 Master Out / Slave In	Bidir	CMOS – 1.8V
93	SPI0_MISO	SPI 0 Master In / Slave Out	Bidir	CMOS – 1.8V
95	SPI0_CS0*	SPI 0 Chip Select 0	Bidir	CMOS – 1.8V
97	SPI0_CS1*	SPI 0 Chip Select 1	Bidir	CMOS – 1.8V
106	SPI1_SCK	SPI 1 Clock	Bidir	CMOS – 1.8V
104	SPI1_MOSI	SPI 1 Master Out / Slave In	Bidir	CMOS – 1.8V
108	SPI1_MISO	SPI 1 Master In / Slave Out	Bidir	CMOS – 1.8V
110	SPI1_CS0*	SPI 1 Chip Select 0	Bidir	CMOS – 1.8V
112	SPI1_CS1*	SPI 1 Chip Select 1	Bidir	CMOS – 1.8V

1.10.4 Universal Asynchronous Receiver/Transmitter (UART)

The UART controller provides serial data synchronization and data conversion (parallel-to-serial and serial-to-parallel) for both receiver and transmitter sections. Synchronization for serial data stream is accomplished by adding start and stop bits to the transmit data to form a data character. Data integrity is accomplished by attaching a parity bit to the data character. The parity bit can be checked by the receiver for any transmission bit errors.

Note: The UART receiver input has low baud rate tolerance in 1-stop bit mode. External devices must use two stop bits. In 1-stop bit mode, the UART receiver can lose sync between the receiver and the external transmitter resulting in data errors/corruption. In 2-stop bit mode, the extra stop bit allows the UART receiver logic to align properly with the UART transmitter.

Features:

- 3x UART Interface
- Synchronization for the serial data stream with start and stop bits to transmit data and form a data character
- Supports both 16450- and 16550-compatible modes. Default mode is 16450
- Device clock up to 200 MHz, baud rate of 12.5 Mbits/second
- Support for word lengths from five to eight bits, an optional parity bit and one or two stop bits
- Support for modem control inputs
- Auto sense baud detection
- Timeout interrupts to indicate if the incoming stream stopped
- Priority interrupts mechanism
- Flow control support on RTS and CTS
- SIR encoding/decoding (3/16 or 4/16 baud pulse widths to transmit bit zero)

Table 11: UART Pin Descriptions

Pin #	Signal Name	Description	Direction	Pin Type
99	UART0_TXD	UART #0 Transmit	Output	CMOS – 1.8V
101	UART0_RXD	UART #0 Receive	Input	CMOS – 1.8V
103	UART0_RTS*	UART #0 Request to Send	Output	CMOS – 1.8V
105	UART0_CTS*	UART #0 Clear to Send	Input	CMOS – 1.8V

Pin #	Signal Name	Description	Direction	Pin Type
203	UART1_TXD	UART #1 Transmit	Output	CMOS – 1.8V
205	UART1_RXD	UART #1 Receive	Input	CMOS – 1.8V
207	UART1_RTS*	UART #1 Request to Send	Output	CMOS – 1.8V
209	UART1_CTS*	UART #1 Clear to Send	Input	CMOS – 1.8V
236	UART2_TXD	UART #2 Transmit	Output	CMOS – 1.8V
238	UART2_RXD	UART #2 Receive	Input	CMOS – 1.8V

1.10.5 Controller Area Network (CAN)

Standard	Notes
ISO/DIS 16845-2	CAN conformance test
ISO 11898-1:2015	Data link layer and physical signaling; CAN FD Frame formats
ISO 11898-4:2004	Time-triggered communication

The Jetson Orin Nano integrates the Bosch Time-Triggered Controller Area Network (M_TTCAN) controller version 3.2.0. One independent CAN port/channel supports connectivity to one CAN network. Each port instantiates the Bosch M_TTCAN module, a message RAM module, an APB slave interface module, interrupt aggregator, time-triggered control module, and a wake detect module. All M_TTCAN external modules have direct connections to M_TTCAN except for the wake detect module.

Features:

- Standard frame and extended frame transmission/reception enable.
- Transfer rate: programmable bit rates up to 15 Mbps.
- 0 – 8-byte data length, with the ability to receive the first 8 bytes when data length coding is > 8 Bytes.
- 32 message buffers per channel.
- Prioritization of transmit buffers.
- Receive/transmit history list function.
- Automatic block transmission function.
- Multi-buffer receives block function.
- Flexible maskable identifier filter support for two 32-bit, or four 16-bit, or eight 8-bit filters for each channel
- Programmable data bit time, communication baud rate, and sample point.
 - As an example, the following sample-point configurations can be configured: 66.7%, 70.0%, 75.0%, 80.0%, 81.3%, 85.0%, and 87.5%
 - Baud rates in the range of 10 kbps up to 1000 kbps can be configured.
- Enhanced features:
 - Each message buffer can be configured to operate as a transmit or a receive message buffer.
 - Transmission priority is controlled by the identifier or by mailbox number (selectable).
 - A transmission request can be aborted by clearing the dedicated Transmit-Request flag of the concerned message buffer.
 - Automatic block transmission (ABT) operation mode.
 - Time stamp function for CAN channels 0 to n in collaboration with timers.
- Release from bus-off state by software.
- Wake-up with integrated low-pass filter (debounce) option to prevent short glitches on CAN bus, through CAN receive signal toggling from CAN transceiver.
 - For normal operation (after wake) there is a digital filter in the CAN controller.
- Listen-only mode to monitor CAN bus.
- Wake-up signal to both internal and external (either interrupt signal or GPIO) to initiate power up if needed.

- Ready to receive the first CAN message within 10ms of wake event generated by the CAN master.
- Ready to transmit the first CAN message within 50ms of wake event generated by the CAN master.
- Loop back for self-test

Table 12: CAN Pin Descriptions

Pin #	Signal Name	Description	Direction	Pin Type
145	CAN_TX	CAN Transmit	Output	CMOS – 3.3V
143	CAN_RX	CAN Receive	Input	CMOS – 3.3V

1.10.6 Inter-Chip Communication (I²C)

Standard	Notes
NXP inter-IC-bus (I ² C) specification	https://i2c.info/i2c-bus-specification

This general purpose I²C controller allows system expansion for I²C-based devices as defined in the NXP inter-IC-bus (I²C) specification. The I²C bus supports serial device communications to multiple devices. (4x I²C) The I²C controller handles clock source negotiation, speed negotiation for standard and fast devices, 7-bit slave address support according to the I²C protocol and supports master and slave modes of operation.

The I²C controller supports the following operating modes:

- Master – Standard-mode (up to 100 Kbit/s), Fast-mode (up to 400 Kbit/s), Fast-mode plus (Fm+, up to 1 Mbit/s).
- Slave – Standard-mode (up to 100 Kbit/s), Fast-mode (up to 400 Kbit/s), Fast-mode plus (Fm+, up to 1 Mbit/s).

Table 13: I2C Pin Descriptions

Pin #	Signal Name	Description	Direction	Pin Type
185	I2C0_SCL	General I2C 0 Clock. 1.5kΩ pull-up to 3.3V on module.	Bidir	Open Drain – 3.3V
187	I2C0_SDA	General I2C 0 Data. 1.5kΩ pull-up to 3.3V on the module.	Bidir	Open Drain – 3.3V
189	I2C1_SCL	General I2C 1 Clock. 2.2kΩ pull-up to 3.3V on the module.	Bidir	Open Drain – 3.3V
191	I2C1_SDA	General I2C 1 Data. 2.2kΩ pull-up to 3.3V on the module.	Bidir	Open Drain – 3.3V
232	I2C2_SCL	General I2C 2 Clock. 2.2kΩ pull-up to 1.8V on the module.	Bidir	Open Drain – 1.8V
234	I2C2_SDA	General I2C 2 Data. 2.2kΩ pull-up to 1.8V on the module.	Bidir	Open Drain – 1.8V
213	CAM_I2C_SCL	Camera I2C Clock. 2.2kΩ pull-up to 3.3V on the module.	Bidir	Open Drain – 3.3V
215	CAM_I2C_SDA	Camera I2C Data. 2.2kΩ pull-up to 3.3V on the module.	Bidir	Open Drain – 3.3V

1.10.7 Inter-IC Sound (I²S)

Standard
Inter-IC Sound (I ² S) specification

The I²S controller transports streaming audio data between system memory and an audio codec. The I²S controller supports I²S format, left-justified mode format, right-justified mode format, and DSP mode format, as defined in the Philips inter-IC-sound (I²S) bus specification.

The I²S and PCM (master and slave modes) interfaces support clock rates up to 24.5760 MHz.

The I²S controller supports point-to-point serial interfaces for the I²S digital audio streams. I²S-compatible products, such as compact disc players, digital audio tape devices, digital sound processors, and those with digital TV sound may be directly connected to the I²S controller. The controller also supports the PCM and telephony mode of data-transfer. Pulse-Code-Modulation (PCM) is a standard method used to digitize audio (particularly voice) patterns for transmission over digital communication channels. The Telephony mode is used to transmit and receive data to and from an external mono CODEC in a slot-based scheme of time-division multiplexing (TDM). The I²S controller supports Bidirectional audio streams and can operate in half-duplex or full-duplex mode.

Features:

- Basic I²S modes to be supported (I²S, RJM, LJM, and DSP) in both master and slave modes.
- PCM mode with short (one bit-clock wide) and long-fsync (two bit-clock wide) in both master and slave modes.
- NW-mode with independent slot-selection for both transmit and receive.
- TDM mode with flexibility in number of slots and slot(s) selection.
- Capability to drive-out a high-z outside the prescribed slot for transmission.
- Flow control for the external input/output stream.

Table 14: I2S Pin Descriptions

Pin #	Signal Name	Description	Direction	Pin Type
199	I2S0_SCLK	I2S Audio Port 0 Clock	Bidir	CMOS – 1.8V
197	I2S0_FS	I2S Audio Port 0 Left/Right Clock	Bidir	CMOS – 1.8V
193	I2S0_DOUT	I2S Audio Port 0 Data Out	Output	CMOS – 1.8V
195	I2S0_DIN	I2S Audio Port 0 Data In	Input	CMOS – 1.8V
226	I2S1_SCLK	I2S Audio Port 1 Clock	Bidir	CMOS – 1.8V
224	I2S1_FS	I2S Audio Port 1 Left/Right Clock	Bidir	CMOS – 1.8V
220	I2S1_DOUT	I2S Audio Port 1 Data Out	Output	CMOS – 1.8V
222	I2S1_DIN	I2S Audio Port 1 Data In	Input	CMOS – 1.8V

1.10.8 Gigabit Ethernet

Standard	Notes
Gigabit Ethernet (GbE)	IEEE 802.3ab

The on-module Ethernet controller supports:

- 10/100/1000 Gigabit Ethernet
- IEEE 802.3u Media Access Controller (MAC)

Table 15: Gigabit Ethernet Pin Descriptions

Pin #	Signal Name	Description	Direction	Pin Type
184	GBE_MDI0_N	GbE Transformer Data 0–	Bidir	MDI
186	GBE_MDI0_P	GbE Transformer Data 0+	Bidir	MDI
190	GBE_MDI1_N	GbE Transformer Data 1–	Bidir	MDI
192	GBE_MDI1_P	GbE Transformer Data 1+	Bidir	MDI
196	GBE_MDI2_N	GbE Transformer Data 2–	Bidir	MDI



Pin #	Signal Name	Description	Direction	Pin Type
198	GBE_MDI2_P	GbE Transformer Data 2+	Bidir	MDI
202	GBE_MDI3_N	GbE Transformer Data 3-	Bidir	MDI
204	GBE_MDI3_P	GbE Transformer Data 3+	Bidir	MDI
188	GBE_LED_LINK	Ethernet Link LED (Green)	Output	-
194	GBE_LED_ACT	Ethernet Activity LED (Yellow)	Output	-

1.10.9 Fan

The Jetson Orin Nano includes a Pulse Width Modulator (PWM) and Tachometer functionality to enable fan control as part of a thermal solution. The PWM controller is a frequency divider with a varying pulse width. The PWM runs off a device clock programmed in the Clock and Reset controller and can be any frequency up to the device clock maximum speed of 48 MHz. The PWM gets divided by 256 before being subdivided based on a programmable value.

1.10.10 Pulse Width Modulator (PWM)

Jetson Orin Nano has four PWM outputs. Each PWM output is based on a frequency divider whose pulse width varies. Each has a programmable frequency divider and a programmable pulse width generator. The PWM controller supports one PWM output for each of its four instances. Each instance is allocated a 64 KB independent address space.

Frequency division is a 13-bit programmable value, and pulse division is an 8-bit value. The PWM can run at a maximum frequency of up to 408 MHz. The PWM controller can source its clock from either CLK_M or PLLP. CLK_M (19.2 MHz) is derived from the OSC clock (38.4 MHz). PLLP operates at 408 MHz.

The PWM clock frequency is divided by 256 before subdividing it based on the programmable frequency division value to generate the required frequency for the PWM output. The maximum output frequency that can be achieved from this configuration is $408 \text{ MHz} / 256 = 1.6 \text{ MHz}$. This 1.6 MHz frequency can be further divided using the frequency divisor in PWM.

The OSC clock is the primary/default source for the PWM IP clock. For higher PWM output frequency requirements, PLLP is the clock source (up to 408 MHz).

Table 16: PWM Pin Descriptions

Pin #	Signal Name	Description	Direction	Pin Type
206	GPIO07	Pulse Width Modulator or GPIO #7	Bidir	CMOS – 1.8V
218	GPIO12	Pulse Width Modulator or GPIO #12	Bidir	CMOS – 1.8V
228	GPIO13	Pulse Width Modulator or GPIO #13	Bidir	CMOS – 1.8V
230	GPIO14	Pulse Width Modulator or GPIO #14	Bidir	CMOS – 1.8V

2.0 Power and System Management

See the *Jetson Orin NX and Jetson Orin Nano Product Design Guide* for details on connecting to each of the interfaces.

Table 17: Power and System Control Pin Descriptions

Pin #	Signal Name	Description	Direction	Pin Type
251 252 253 254 255 256 257 258 259 260	VDD_IN	Main power – Supplies PMIC and other registers	Input	5V to 20V
235	PMIC_BBAT	Real Time Clock. Optionally used to provide back-up power for the RTC in the Power Sequencer. Connects to a Lithium Cell or similar power source. The cell sources power for the RTC when system is disconnected from power. Note: This pin is input only and rechargeable cells or devices such as Super Caps cannot be supported.	Input	1.85V to 5.5V
214	FORCE_RECOVERY*	Force Recovery strap pin. Held low when SYS_RESET* goes high (i.e., during power-on) places system in USB recovery mode.	Input	CMOS – 1.8V
240	SLEEP/WAKE*	Configured as GPIO for optional use to indicate the system should enter or exit sleep mode.	Input	CMOS – 5.0V
233	SHUTDOWN_REQ*	When driven/pulled low by the module, requests the carrier board to shut down. ~5kΩ pull-up to VDD_IN on the module.	Output	Open Drain, VDD_IN
237	POWER_EN	Signal for module on/off: high level on, low level off. Connects to module power sequencer / PMIC power on/off control input through converter logic. POWER_EN is routed to a Schmitt trigger buffer on the module. A 100kΩ pulldown is also on the module.	Input	Analog 5.0V
239	SYS_RESET*	Module Reset. Reset to the module when driven low by the carrier board. Used as carrier board supply enable when driven high by the module when module power sequence is complete. Used to ensure proper power on/off sequencing between module and carrier board supplies. 1kΩ pull-up to 1.8V on the module.	Bidir	Open Drain, 1.8V
178	MOD_SLEEP*	Module Sleep. When active (low), indicates module has gone to Sleep (SC7) mode.	Output	CMOS – 1.8V
210	CLK_32K_OUT	Sleep/Suspend clock. 1kΩ pull-up to 1.8V on the module. If used on the carrier board, a buffer should be implemented close to the module pin. If not used, leave NC.	Bidir	CMOS – 1.8V
217	MODULE_ID	Module ID strap: Indicates whether the module is a legacy type supporting only 5V on VDD_IN (tied to GND on the module) or an advanced type supporting from 5V to 20V on VDD_IN (floating on the module - pulled high on the carrier board).	-	Strap



2.1 Power Rails

VDD_IN must be supplied by the carrier board that the Jetson Orin Nano is designed to connect to. All Jetson Orin Nano interfaces are referenced to on-module voltage rails and no I/O voltage is required to be supplied to the module. See the *Jetson Orin NX and Jetson Orin Nano Product Design Guide* for details of connecting to each of the interfaces.

2.2 Power Domains/Islands

Jetson Orin Nano has a single three-channel INA that can measure power of CPU_GPU_CV combined rail, Core, and module input power.

2.3 Power Management Controller (PMC)

The PMC power management features enable both high speed operation and very low-power standby states. The PMC primarily controls voltage transitions for the SoC as it transitions to/from different low power modes; it also acts as a slave receiving dedicated power/clock request signals as well as wake events from various sources (e.g., SPI, I²C, RTC, USB) which can wake the system from deep sleep state. The PMC enables aggressive power-gating capabilities on idle modules and integrates specific logic to maintain defined states and control power domains during sleep and deep sleep modes.

2.4 Resets

If reset is asserted, the Jetson Orin Nano SoC and onboard storage will be reset. This signal is also used for baseboard power sequencing.

2.5 PMIC_BBAT

An optional back up battery can be attached to the PMIC_BBAT module input to maintain the module real-time clock (RTC) when VIN is not present. Batteries can be used to power the pin, but charging is not supported. This pin is connected directly to the onboard PMIC. RTC accuracy is 2 seconds/day.

Table 18: PMIC_BBAT Pin Descriptions

Pin #	Signal Name	Description	Direction	Pin Type
235	PMIC_BBAT	Real Time Clock. Optionally used to provide back-up power for the RTC in the Power Sequencer. Connects to a Lithium Cell or similar power source. The cell sources power for the RTC when system is disconnected from power.	Input	1.85V to 5.5V

2.6 Power Sequencing

The Jetson Orin Nano is required to be powered on and off in a known sequence. Sequencing is determined through a set of control signals; the SYS_RESET* signal (when deasserted) is used to indicate when the carrier board can power on. The following sections provide an overview of the power sequencing steps between the carrier board and Jetson Orin Nano. Refer to the *Jetson Orin NX and Jetson Orin Nano Product Design Guide* for system level details on the application of power, power sequencing, and monitoring. The Jetson Orin Nano and the product carrier board must be power sequenced properly to avoid potential damage to components on either the module or the carrier board system.

2.6.1 Power Up

During power up, the carrier board must wait until the signal SYS_RESET* is deasserted from the Jetson module before enabling its power; the Jetson module will deassert the SYS_RESET* signal to enable the complete system to boot.

Note: I/O pins cannot be high (>0.5V) before SYS_RESET* goes high. When SYS_RESET* is low, the maximum voltage applied to any I/O pin is 0.5V.

2.6.2 Power Down

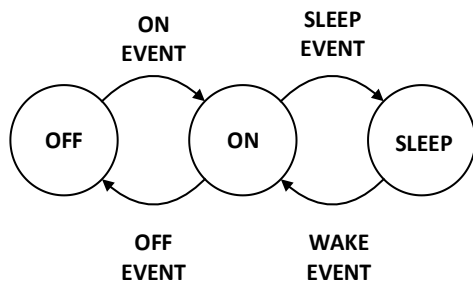
Shutdown events can be triggered by either the module or the baseboard, but the shutdown event will always be serviced by the baseboard. To do so, the baseboard deasserts POWER_EN, which begins the shutdown power sequence on the module. If the module needs to request a shutdown event in the case of thermal, software, or under-voltage events, it will assert SHUTDOWN_REQ*. When the baseboard sees low SHUTDOWN_REQ*, it should deassert POWER_EN as soon as possible.

Once POWER_EN is deasserted, the module will assert SYS_RESET*, and the baseboard may shut down. SoC 3.3V I/O must reach 0.5V or lower at most 1.5ms after SYS_RESET* is asserted. SoC 1.8V I/O must reach 0.5V or lower at most 4ms after SYS_RESET* is asserted.

2.7 Power States

The Jetson Orin Nano operates in three main power modes: OFF, ON, and SLEEP. The module transitions between these states are based on various events from hardware or software. Figure 1 shows the transitions between these three states.

Figure 1: Power State Transition Diagram



2.7.1 ON State

The ON power state is entered from either OFF or SLEEP states. In this state, the Jetson Orin Nano module is fully functional and operates normally. An ON event must occur for a transition between OFF and ON states. The only ON EVENT currently used is a low to high transition on the POWER_EN pin. This must occur with VDD_IN connected to a power rail and POWER_EN is asserted (at a logic1). The POWER_EN control is the carrier board indication to the Jetson module that the VDD_IN power is good. The carrier board should assert this high only when VDD_IN has reached its required voltage level and is stable. This prevents the Jetson Orin Nano Module from powering up until the VDD_IN power is stable.

2.7.2 OFF State

The OFF state is the default state when the system is not powered. It can only be entered from the ON state, through an OFF event. OFF events are listed in the table below.

Table 19: OFF State Events

Event	Details	Preconditions
HW Shutdown	Set POWER_EN pin to zero for at least 10 μ s, the internal PMIC starts the shutdown sequence.	In ON State
SW Shutdown	Software initiated shutdown	ON state, software operational
Thermal Shutdown	If the internal temperature of the Jetson Orin Nano module reaches an unsafe temperature, the hardware is designed to initiate a shutdown.	Any power state

Note: HW shutdown, SW shutdown, and Thermal shutdown all assert SHUTDOWN_REQ* low. System on Module does not initiate power supply shutdown sequence until POWER_EN is deasserted.

2.7.3 SLEEP State

The SLEEP state can only be entered from the ON state. This state allows the module to quickly resume to an operational state without performing a full boot sequence. The SLEEP state also includes a low power mode SC7 (deep sleep) where the module operates only with enough circuitry powered to allow the device to resume and re-enter the ON state. During this state the output signals from the module are maintained at their logic level prior to entering the state (i.e., they do not change to a 0V level). To exit the SLEEP state a WAKE event must occur; WAKE events can occur from within the module or from external devices through various pins on the module connector.

Table 20: SLEEP and WAKE Events

Event	Details
Thermal Condition	If the module internal temperature exceeds programmed hot and cold limits the system is forced to wake up, so it can report and take appropriate action (shut down for example).
USB VBUS detection	If VBUS is applied to the system (USB cable attached) then the device can be configured to Wake and enumerate.
Module connector Interface WAKE signals	Programmable signals on the module connector.

2.8 Thermal and Power Monitoring

The Jetson Orin Nano is designed to operate under various workloads and environmental conditions. It has been designed so that an active or passive heat sink solution can be attached. The module contains various methods through hardware and software to limit the internal temperature to within operating limits. See the *Jetson Orin Nano Thermal Design Guide* for more details.

3.0 Pin Definitions

The function(s) for each pin on the module is fixed to a single Special-Function I/O (SFIO) or software-controlled General Purpose I/O (GPIO). The Jetson Orin Nano has multiple dedicated GPIOs and each GPIO is individually configurable as Output/Input/Interrupt sources with level/edge controls. SFIO and GPIO functionality is configured using Multi-Purpose I/O (MPIO) pads with each MPIO pad consisting of:

- An output driver with tristate capability, drive strength controls and push-pull mode, open-drain mode, or both
- An input receiver with either Schmitt mode, CMOS mode, or both
- A weak pull-up and a weak pull-down

MPIO pads are partitioned into multiple pad control groups with controls being configured for the group. During normal operation, these per-pad controls are driven by the pinmux controller registers. During deep sleep, the PMC bypasses and then resets the pinmux controller registers. Software reprograms these registers as necessary after returning from deep sleep.

Refer to the *Jetson Orin NX and Jetson Orin Nano Product Design Guide* and the *Pinmux Spreadsheet* for more information.

3.1 Power-on Reset Behavior

Each MPIO pad has a deterministic power-on reset (PoR) state. The reset state for each pad is chosen to minimize the need of additional on-board components; for example, on-chip weak pull-ups are enabled during PoR for pads which are usually used to drive active-low chip selects eliminating the need for additional pull-up resistors.

The following list is a simplified description of the boot process focusing on those aspects which relate to the MPIO pins:

- System-level hardware executes the power-up sequence. This sequence ends when system-level hardware releases SYS_RESET_N.
- The Boot ROM begins executing and programs the on-chip I/O controllers to access the secondary boot device (QSPI).
- The Boot ROM fetches the Boot Configuration Table (BCT) and boot loader from the secondary boot device.
- If the BCT and boot loader are fetched successfully, the boot ROM transfers control to the boot loader.
- Otherwise, the Boot ROM enters USB recovery mode.

3.2 Sleep Behavior

Sleep is an ultra-low-power standby state in which the module maintains much of its I/O state while most of the chip is powered off. During deep sleep most of the pads are put in a state called Deep Power Down (DPD). The sequence for entering DPD is same across pads.

MPIO pads can vary during deep sleep. They differ regarding:

- Input buffer behavior during deep sleep
 - Forcibly disabled OR
 - Enabled for use as a GPIO wake event, OR
 - Enabled for some other purpose (e.g., a clock request pin)
- Output buffer behavior during deep sleep
 - Maintain a static programmable (0, 1, or tristate) constant value OR
 - Capable of changing state (i.e., dynamic while the chip is still in deep sleep)
- Weak pull-up/pull-down behavior during deep sleep
 - Forcibly disabled OR
 - Can be configured
- Pads that do not enter deep sleep
 - Some of the pads whose outputs are dynamic during deep sleep are of special type and do not enter deep sleep.



3.3 GPIO

The Jetson Orin Nano has multiple dedicated GPIOs. Each GPIO can be individually configurable as an Output, Input, or Interrupt source with level/edge controls. The pins listed in the following table are dedicated GPIOs; some with alternate SFIO functionality. Many other pins not included in this list are capable of being configured as GPIOs instead of the SFIO functionality the pin name suggests (e.g., UART, SPI, I²S, etc.). All pins that can support GPIO functionality have this exposed in the Pinmux.

Table 21: GPIO Pin Descriptions

Pin #	Signal Name	Description	Direction	Pin Type
87	GPIO00	GPIO #0 or USB 0 VBUS Enable #0	Bidir	CMOS – 1.8V
118	GPIO01	GPIO #1 or Generic Clock	Bidir	CMOS – 1.8V
124	GPIO02	GPIO #2	Bidir	CMOS – 1.8V
126	GPIO03	GPIO #3	Bidir	CMOS – 1.8V
127	GPIO04	GPIO #4	Bidir	CMOS – 1.8V
128	GPIO05	GPIO #5	Bidir	CMOS – 1.8V
130	GPIO06	GPIO #6	Bidir	CMOS – 1.8V
206	GPIO07	GPIO #7 or Pulse Width Modulator	Bidir	CMOS – 1.8V
208	GPIO08	GPIO #8 or Fan Tachometer	Bidir	CMOS – 1.8V
211	GPIO09	GPIO #9 or Audio Codec Master Clock	Bidir	CMOS – 1.8V
212	GPIO10	GPIO #10	Bidir	CMOS – 1.8V
216	GPIO11	GPIO #11 or Generic Clock	Bidir	CMOS – 1.8V
218	GPIO12	GPIO #12 or Pulse Width Modulator	Bidir	CMOS – 1.8V
228	GPIO13	GPIO #13 or Pulse Width Modulator	Bidir	CMOS – 1.8V
230	GPIO14	GPIO #14 or Pulse Width Modulator	Bidir	CMOS – 1.8V

3.4 Jetson Orin Nano Pin List

Jetson SODIMM Signal Name	Jetson Orin Nano Function	Pin # Top Odd	Pin # Bottom Even	Jetson SODIMM Signal Name	Jetson Orin Nano Function
GND	GND	1	2	GND	GND
CSI1_D0_N	CSI1_D0_N	3	4	CSI0_D0_N	CSI0_D0_N
CSI1_D0_P	CSI1_D0_P	5	6	CSI0_D0_P	CSI0_D0_P
GND	GND	7	8	GND	GND
CSI1_CLK_N	CSI1_CLK_N	9	10	CSI0_CLK_N	CSI0_CLK_N
CSI1_CLK_P	CSI1_CLK_P	11	12	CSI0_CLK_P	CSI0_CLK_P
GND	GND	13	14	GND	GND
CSI1_D1_N	CSI1_D1_N	15	16	CSI0_D1_N	CSI0_D1_N
CSI1_D1_P	CSI1_D1_P	17	18	CSI0_D1_P	CSI0_D1_P
GND	GND	19	20	GND	GND
CSI3_D0_N	CSI3_D0_N	21	22	CSI2_D0_N	CSI2_D0_N
CSI3_D0_P	CSI3_D0_P	23	24	CSI2_D0_P	CSI2_D0_P
GND	GND	25	26	GND	GND
CSI3_CLK_N	CSI3_CLK_N	27	28	CSI2_CLK_N	CSI2_CLK_N
CSI3_CLK_P	CSI3_CLK_P	29	30	CSI2_CLK_P	CSI2_CLK_P
GND	GND	31	32	GND	GND
CSI3_D1_N	CSI3_D1_N	33	34	CSI2_D1_N	CSI2_D1_N
CSI3_D1_P	CSI3_D1_P	35	36	CSI2_D1_P	CSI2_D1_P
GND	GND	37	38	GND	GND
DP0_TXD0_N	USBSS1_RX_N	39	40	CSI4_D2_N	PCIE2_RX0_N
DP0_TXD0_P	USBSS1_RX_P	41	42	CSI4_D2_P	PCIE2_RX0_P
GND	GND	43	44	GND	GND
DP0_TXD1_N	USBSS1_TX_N	45	46	CSI4_D0_N	PCIE2_TX0_N
DP0_TXD1_P	USBSS1_TX_P	47	48	CSI4_D0_P	PCIE2_TX0_P
GND	GND	49	50	GND	GND
DP0_TXD2_N	USBSS2_RX_N	51	52	CSI4_CLK_N	PCIE2_CLK_N
DP0_TXD2_P	USBSS2_RX_P	53	54	CSI4_CLK_P	PCIE2_CLK_P
GND	GND	55	56	GND	GND
DP0_TXD3_N	USBSS2_TX_N	57	58	CSI4_D1_N	PCIE2_RX1_N (PCIE3_RX0_N)
DP0_TXD3_P	USBSS2_TX_P	59	60	CSI4_D1_P	PCIE2_RX1_P (PCIE3_RX0_P)
GND	GND	61	62	GND	GND
DP1_TXD0_N	DP1_TXD0_N	63	64	CSI4_D3_N	PCIE2_TX1_N (PCIE3_TX0_N)
DP1_TXD0_P	DP1_TXD0_P	65	66	CSI4_D3_P	PCIE2_TX1_P (PCIE3_TX0_P)
GND	GND	67	68	GND	GND
DP1_TXD1_N	DP1_TXD1_N	69	70	DSI_D0_N	RSVD
DP1_TXD1_P	DP1_TXD1_P	71	72	DSI_D0_P	RSVD
GND	GND	73	74	GND	GND
DP1_TXD2_N	DP1_TXD2_N	75	76	DSI_CLK_N	RSVD
DP1_TXD2_P	DP1_TXD2_P	77	78	DSI_CLK_P	RSVD
GND	GND	79	80	GND	GND
DP1_TXD3_N	DP1_TXD3_N	81	82	DSI_D1_N	RSVD
DP1_TXD3_P	DP1_TXD3_P	83	84	DSI_D1_P	RSVD
GND	GND	85	86	GND	GND
GPIO00	GPIO00	87	88	DP0_HPD	RSVD
SPI0_MOSI	SPI0_MOSI	89	90	DP0_AUX_N	RSVD
SPI0_SCK	SPI0_SCK	91	92	DP0_AUX_P	RSVD
SPI0_MISO	SPI0_MISO	93	94	HDMI_CEC	HDMI_CEC
SPI0_CS0*	SPI0_CS0*	95	96	DP1_HPD	DP1_HPD
SPI0_CS1*	SPI0_CS1*	97	98	DP1_AUX_N	DP1_AUX_N
UART0_TXD	UART0_TXD	99	100	DP1_AUX_P	DP1_AUX_P
UART0_RXD	UART0_RXD	101	102	GND	GND
UART0_RTS*	UART0_RTS*	103	104	SPI1_MOSI	SPI1_MOSI
UART0_CTS*	UART0_CTS*	105	106	SPI1_SCK	SPI1_SCK
GND	GND	107	108	SPI1_MISO	SPI1_MISO
USB0_D_N	USB0_D_N	109	110	SPI1_CS0*	SPI1_CS0*
USB0_D_P	USB0_D_P	111	112	SPI1_CS1*	SPI1_CS1*
GND	GND	113	114	CAM0_PWDN	CAM0_PWDN



Jetson SODIMM Signal Name	Jetson Orin Nano Function	Pin # Top Odd	Pin # Bottom Even	Jetson SODIMM Signal Name	Jetson Orin Nano Function
USB1_D_N	USB1_D_N	115	116	CAM0_MCLK	CAM0_MCLK
USB1_D_P	USB1_D_P	117	118	GPIO01	GPIO01 (CLK)
GND	GND	119	120	CAM1_PWDN	CAM1_PWDN
USB2_D_N	USB2_D_N	121	122	CAM1_MCLK	CAM1_MCLK
USB2_D_P	USB2_D_P	123	124	GPIO02	GPIO02
GND	GND	125	126	GPIO03	GPIO03
GPIO04	GPIO04	127	128	GPIO05	GPIO05
GND	GND	129	130	GPIO06	GPIO06
PCIE0_RX0_N	PCIE0_RX0_N	131	132	GND	GND
PCIE0_RX0_P	PCIE0_RX0_P	133	134	PCIE0_TX0_N	PCIE0_TX0_N
GND	GND	135	136	PCIE0_TX0_P	PCIE0_TX0_P
PCIE0_RX1_N	PCIE0_RX1_N	137	138	GND	GND
PCIE0_RX1_P	PCIE0_RX1_P	139	140	PCIE0_TX1_N	PCIE0_TX1_N
GND	GND	141	142	PCIE0_TX1_P	PCIE0_TX1_P
CAN_RX	CAN_RX	143	144	GND	GND
CAN_TX	CAN_TX	145	146	GND	GND
GND	GND	147	148	PCIE0_TX2_N	PCIE0_TX2_N
PCIE0_RX2_N	PCIE0_RX2_N	149	150	PCIE0_TX2_P	PCIE0_TX2_P
PCIE0_RX2_P	PCIE0_RX2_P	151	152	GND	GND
GND	GND	153	154	PCIE0_TX3_N	PCIE0_TX3_N
PCIE0_RX3_N	PCIE0_RX3_N	155	156	PCIE0_TX3_P	PCIE0_TX3_P
PCIE0_RX3_P	PCIE0_RX3_P	157	158	GND	GND
GND	GND	159	160	PCIE0_CLK_N	PCIE0_CLK_N
USBSS_RX_N	USBSS0_RX_N	161	162	PCIE0_CLK_P	PCIE0_CLK_P
USBSS_RX_P	USBSS0_RX_P	163	164	GND	GND
GND	GND	165	166	USBSS_TX_N	USBSS0_TX_N
PCIE1_RX0_N	PCIE1_RX0_N	167	168	USBSS_TX_P	USBSS0_TX_P
PCIE1_RX0_P	PCIE1_RX0_P	169	170	GND	GND
GND	GND	171	172	PCIE1_TX0_N	PCIE1_TX0_N
PCIE1_CLK_N	PCIE1_CLK_N	173	174	PCIE1_TX0_P	PCIE1_TX0_P
PCIE1_CLK_P	PCIE1_CLK_P	175	176	GND	GND
GND	GND	177	178	MOD_SLEEP*	MOD_SLEEP*
PCIE_WAKE*	PCIE_WAKE*	179	180	PCIE0_CLKREQ*	PCIE0_CLKREQ*
PCIE0_RST*	PCIE0_RST*	181	182	PCIE1_CLKREQ*	PCIE1_CLKREQ*
PCIE1_RST*	PCIE1_RST*	183	184	GBE_MDIO_N	GBE_MDIO_N
I2C0_SCL	I2C0_SCL	185	186	GBE_MDIO_P	GBE_MDIO_P
I2C0_SDA	I2C0_SDA	187	188	GBE_LED_LINK	GBE_LED_LINK
I2C1_SCL	I2C1_SCL	189	190	GBE_MD11_N	GBE_MD11_N
I2C1_SDA	I2C1_SDA	191	192	GBE_MD11_P	GBE_MD11_P
I2S0_DOUT	I2S0_DOUT	193	194	GBE_LED_ACT	GBE_LED_ACT
I2S0_DIN	I2S0_DIN	195	196	GBE_MD12_N	GBE_MD12_N
I2S0_FS	I2S0_FS	197	198	GBE_MD12_P	GBE_MD12_P
I2S0_SCLK	I2S0_SCLK	199	200	GND	GND
GND	GND	201	202	GBE_MD13_N	GBE_MD13_N
UART1_TXD	UART1_TXD	203	204	GBE_MD13_P	GBE_MD13_P
UART1_RXD	UART1_RXD	205	206	GPIO07	GPIO07
UART1_RTS*	UART1_RTS*	207	208	GPIO08	GPIO08
UART1_CTS*	UART1_CTS*	209	210	CLK_32K_OUT	CLK_32K_OUT
GPIO09	GPIO09	211	212	GPIO10	GPIO10
CAM_I2C_SCL	CAM_I2C_SCL	213	214	FORCE_RECOVERY*	FORCE_RECOVERY*
CAM_I2C_SDA	CAM_I2C_SDA	215	216	GPIO11	GPIO11
GND	MODULE_ID	217	218	GPIO12	GPIO12
SDMMC_DAT0	PCIE2_RST*	219	220	I2S1_DOUT	I2S1_DOUT
SDMMC_DAT1	PCIE2_CLKREQ*	221	222	I2S1_DIN	I2S1_DIN
SDMMC_DAT2	PCIE3_RST*	223	224	I2S1_FS	I2S1_FS
SDMMC_DAT3	PCIE3_CLKREQ*	225	226	I2S1_SCLK	I2S1_SCLK
SDMMC_CMD	PCIE3_CLK_N	227	228	GPIO13	GPIO13
SDMMC_CLK	PCIE3_CLK_P	229	230	GPIO14	GPIO14
GND	GND	231	232	I2C2_SCL	I2C2_SCL
SHUTDOWN_REQ*	SHUTDOWN_REQ*	233	234	I2C2_SDA	I2C2_SDA
PMIC_BBAT	PMIC_BBAT	235	236	UART2_TXD	UART2_TXD
POWER_EN	POWER_EN	237	238	UART2_RXD	UART2_RXD
SYS_RESET*	SYS_RESET*	239	240	SLEEP/WAKE*	SLEEP/WAKE*



Jetson SODIMM Signal Name	Jetson Orin Nano Function	Pin # Top Odd	Pin # Bottom Even	Jetson SODIMM Signal Name	Jetson Orin Nano Function
GND	GND	241	242	GND	GND
GND	GND	243	244	GND	GND
GND	GND	245	246	GND	GND
GND	GND	247	248	GND	GND
GND	GND	249	250	GND	GND
VDD_IN	VDD_IN	251	252	VDD_IN	VDD_IN
VDD_IN	VDD_IN	253	254	VDD_IN	VDD_IN
VDD_IN	VDD_IN	255	256	VDD_IN	VDD_IN
VDD_IN	VDD_IN	257	258	VDD_IN	VDD_IN
VDD_IN	VDD_IN	259	260	VDD_IN	VDD_IN

Note: For cell shading, light green indicates ground; light blue indicates Jetson Orin Nano specific functionality.

4.0 DC Characteristics

4.1 Operating and Absolute Maximum Ratings

The parameters listed in following table are specific to a temperature range and operating voltage. Operating the Jetson Orin Nano beyond these parameters is not recommended.

WARNING: Exceeding the listed conditions may damage and/or affect long-term reliability of the part. The Jetson Orin Nano module should never be subjected to conditions extending beyond the ratings listed below.

Table 22: Recommended Operating Conditions

Symbol	Parameter	Minimum	Typical	Maximum	Unit
VDD _{DC}	VDD_IN (MODULE_ID low)	4.75	5	5.25	V
	VDD_IN (MODULE_ID high)	4.75	-	20	V
	PMIC_BBAT	1.85	-	5.5	V

Absolute maximum ratings describe stress conditions. These parameters do not set minimum and maximum operating conditions that will be tolerated over extended periods of time. If the device is exposed to these parameters for extended periods of time, performance is not guaranteed, and device reliability may be affected. It is not recommended to operate the Jetson Orin Nano module under these conditions.

4.2 Digital Logic

Voltages less than the minimum stated value can be interpreted as an undefined state or logic level low which may result in unreliable operation. Voltages exceeding the maximum value can damage and/or adversely affect device reliability.

Table 23: CMOS Pin Type DC Characteristics

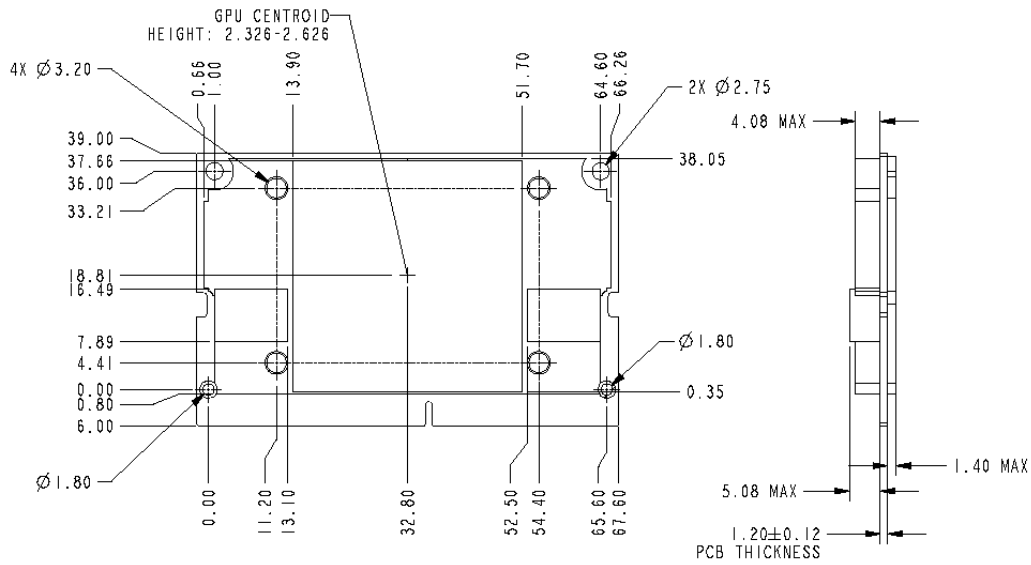
Symbol	Description	Minimum	Maximum	Units
V _{IL}	Input Low Voltage	-0.5	0.25 x VDD	V
V _{IH}	Input High Voltage	0.75 x VDD	0.5 + VDD	V
V _{OL}	Output Low Voltage (I _{OL} = 1mA)	-	0.15 x VDD	V
V _{OH}	Output High Voltage (I _{OH} = -1mA)	0.85 x VDD	-	V

Table 24: Open Drain Pin Type DC Characteristics

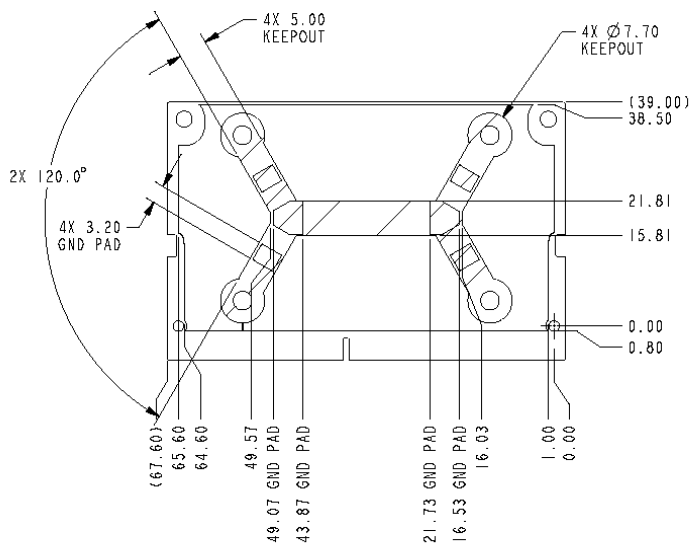
Symbol	Description	Minimum	Maximum	Units
V _{IL}	Input Low Voltage	-0.5	0.25 x VDD	V
V _{IH}	Input High Voltage	0.75 x VDD	3.63	V
V _{OL}	Output Low Voltage (I _{OL} = 1mA)	-	0.15 x VDD	V
	I ² C [1,0] Output Low Voltage (I _{OL} = 2mA) (see note)	-	0.3 x VDD	V
V _{OH}	Output High Voltage (I _{OH} = -1mA)	0.85 x VDD	-	V

Note: I2C[1,0]_[SCL, SDA] pins pull-up to 3.3V through on module 2.2kΩ resistor. I2C2_[SCL, SDA] pins pull-up to 1.8V through on module 2.2kΩ resistor.

5.0 Package Drawing and Dimensions



TOP SIDE



Notice

The information provided in this specification is believed to be accurate and reliable as of the date provided. However, NVIDIA Corporation ("NVIDIA") does not give any representations or warranties, expressed or implied, as to the accuracy or completeness of such information. NVIDIA shall have no liability for the consequences or use of such information or for any infringement of patents or other rights of third parties that may result from its use. This publication supersedes and replaces all other specifications for the product that may have been previously supplied.

NVIDIA reserves the right to make corrections, modifications, enhancements, improvements, and other changes to this specification, at any time and/or to discontinue any product or service without notice. Customer should obtain the latest relevant specification before placing orders and should verify that such information is current and complete.

NVIDIA products are sold subject to the NVIDIA standard terms and conditions of sale supplied at the time of order acknowledgement, unless otherwise agreed in an individual sales agreement signed by authorized representatives of NVIDIA and customer. NVIDIA hereby expressly objects to applying any customer general terms and conditions with regard to the purchase of the NVIDIA product referenced in this specification.

NVIDIA products are not designed, authorized or warranted to be suitable for use in medical, military, aircraft, space or life support equipment, nor in applications where failure or malfunction of the NVIDIA product can reasonably be expected to result in personal injury, death or property or environmental damage. NVIDIA accepts no liability for inclusion and/or use of NVIDIA products in such equipment or applications and therefore such inclusion and/or use is at customer's own risk.

NVIDIA makes no representation or warranty that products based on these specifications will be suitable for any specified use without further testing or modification. Testing of all parameters of each product is not necessarily performed by NVIDIA. It is customer's sole responsibility to ensure the product is suitable and fit for the application planned by customer and to do the necessary testing for the application in order to avoid a default of the application or the product. Weaknesses in customer's product designs may affect the quality and reliability of the NVIDIA product and may result in additional or different conditions and/or requirements beyond those contained in this specification. NVIDIA does not accept any liability related to any default, damage, costs or problem which may be based on or attributable to: (i) the use of the NVIDIA product in any manner that is contrary to this specification, or (ii) customer product designs.

No license, either express or implied, is granted under any NVIDIA patent right, copyright, or other NVIDIA intellectual property right under this specification. Information published by NVIDIA regarding third-party products or services does not constitute a license from NVIDIA to use such products or services or a warranty or endorsement thereof. Use of such information may require a license from a third party under the patents or other intellectual property rights of the third party, or a license from NVIDIA under the patents or other intellectual property rights of NVIDIA. Reproduction of information in this specification is permissible only if reproduction is approved by NVIDIA in writing is reproduced without alteration and is accompanied by all associated conditions, limitations, and notices.

ALL NVIDIA DESIGN SPECIFICATIONS, REFERENCE BOARDS, FILES, DRAWINGS, DIAGNOSTICS, LISTS, AND OTHER DOCUMENTS (TOGETHER AND SEPARATELY, "MATERIALS") ARE BEING PROVIDED "AS IS." NVIDIA MAKES NO WARRANTIES, EXPRESSED, IMPLIED, STATUTORY, OR OTHERWISE WITH RESPECT TO THE MATERIALS, AND EXPRESSLY DISCLAIMS ALL IMPLIED WARRANTIES OF NONINFRINGEMENT, MERCHANTABILITY, AND FITNESS FOR A PARTICULAR PURPOSE. Notwithstanding any damages that customer might incur for any reason whatsoever, NVIDIA's aggregate and cumulative liability towards customer for the products described herein shall be limited in accordance with the NVIDIA terms and conditions of sale for the product.

HDMI

HDMI, the HDMI logo, and High-Definition Multimedia Interface are trademarks or registered trademarks of HDMI Licensing LLC.

ARM

ARM, AMBA and ARM Powered are registered trademarks of ARM Limited. Cortex, MPCore and Mali are trademarks of ARM Limited. All other brands or product names are the property of their respective holders. "ARM" is used to represent ARM Holdings plc; its operating company ARM Limited; and the regional subsidiaries ARM Inc.; ARM KK; ARM Korea Limited.; ARM Taiwan Limited; ARM France SAS; ARM Consulting (Shanghai) Co. Ltd.; ARM Germany GmbH; ARM Embedded Technologies Pvt. Ltd.; ARM Norway, AS and ARM Sweden AB

OpenGL

OpenGL is a trademark of Apple Inc. used under license to the Khronos Group Inc.

Trademarks

NVIDIA, the NVIDIA logo, and Tegra are trademarks and/or registered trademarks of NVIDIA Corporation in the U.S. and other countries. Other company and product names may be trademarks of the respective companies with which they are associated.

Copyright

© 2014-2022 NVIDIA Corporation. All rights reserved