

NanoPi M4B

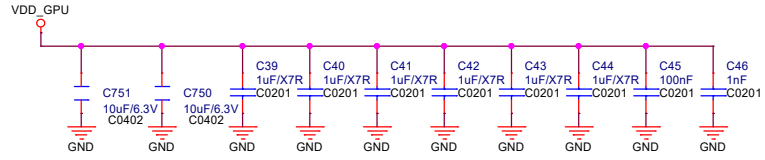
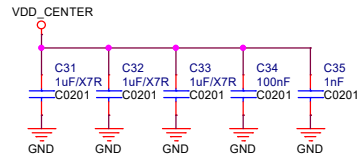
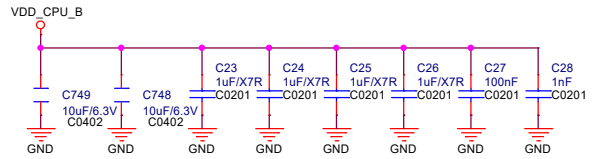
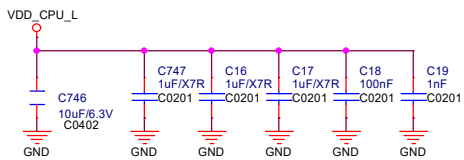
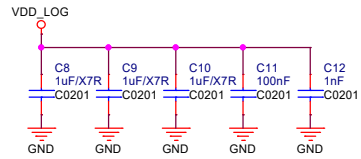
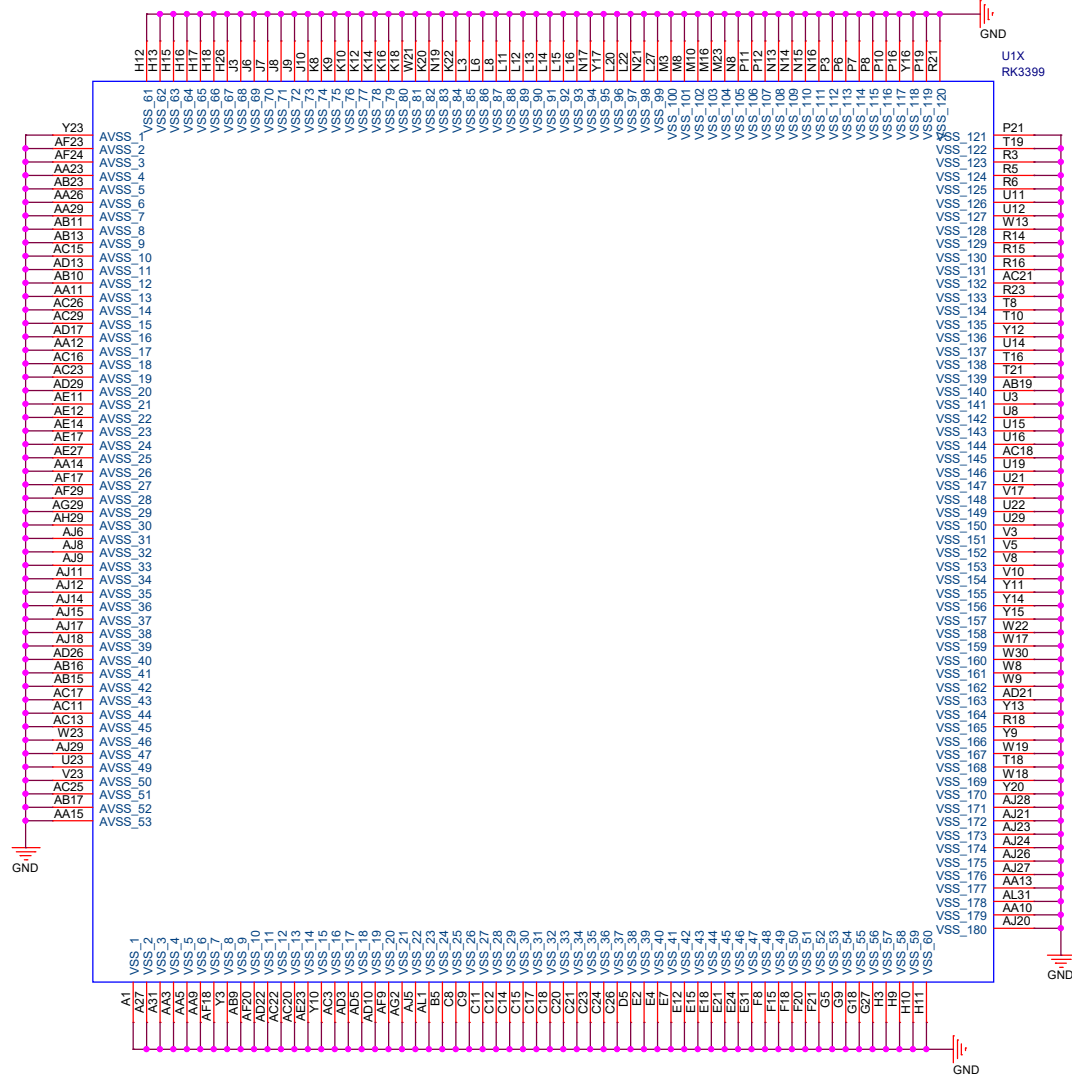
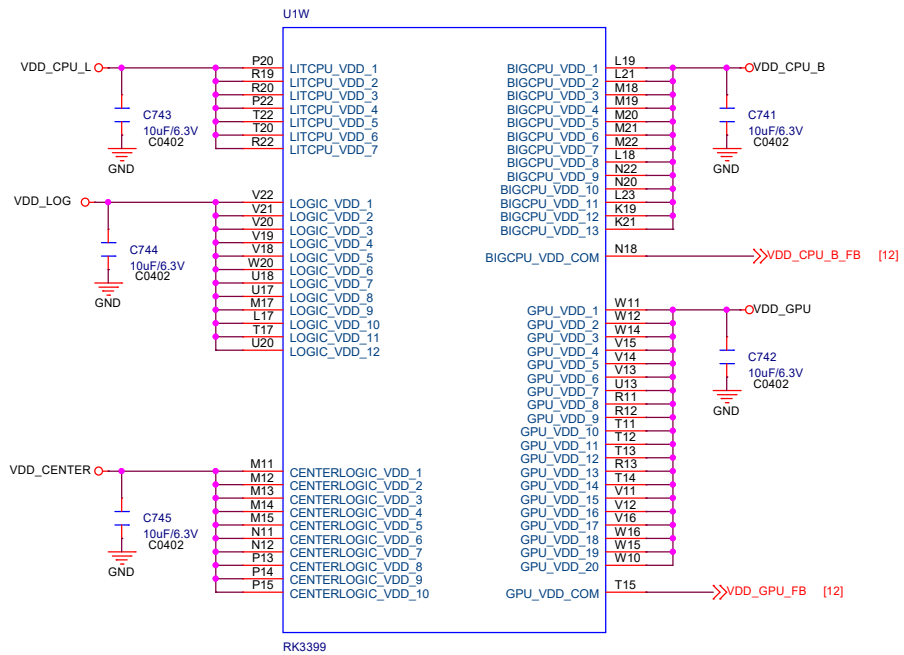
Revision 1909

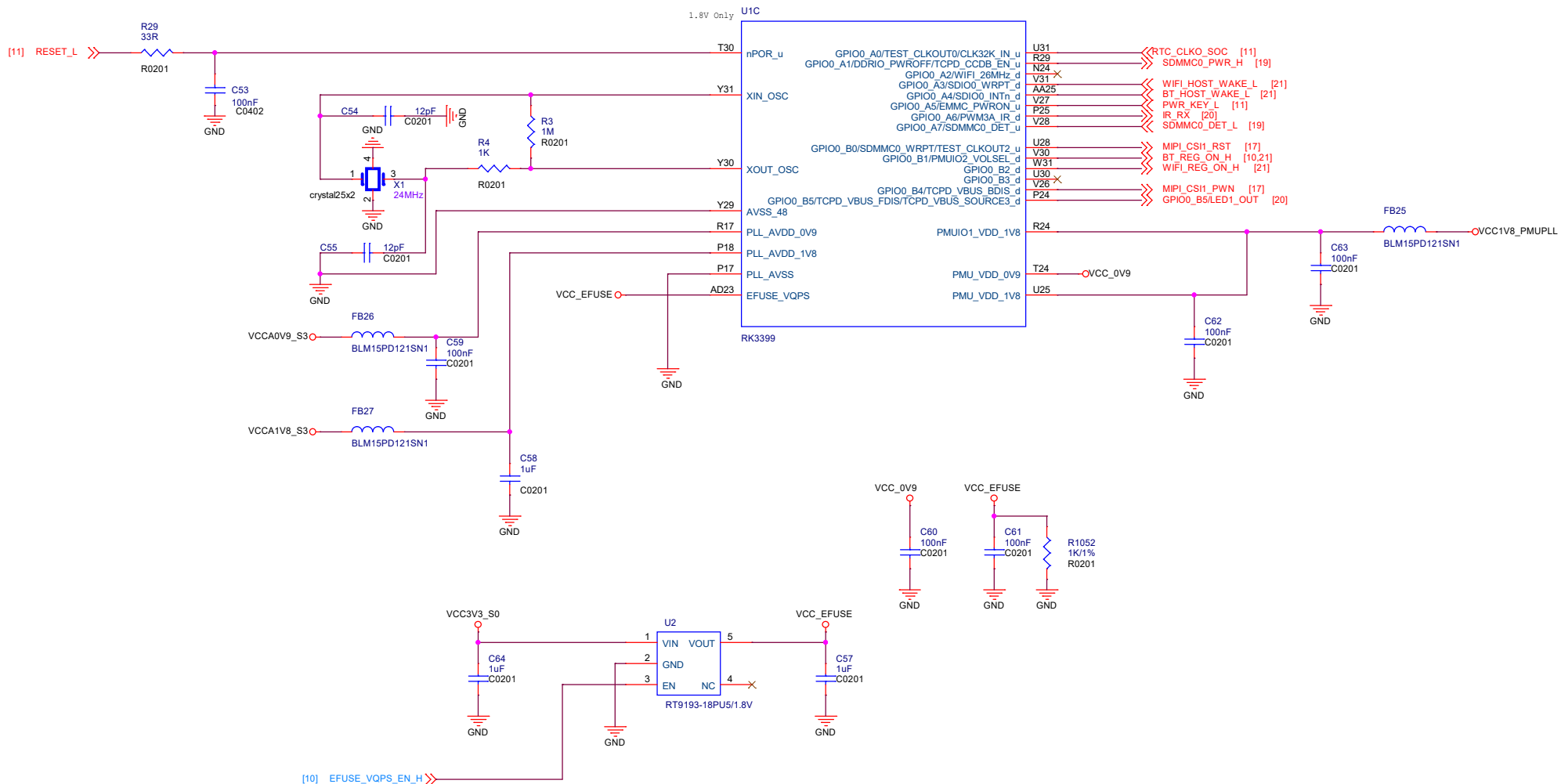
2020/05/18:
R1075 -> 10K, R1107 ->20K

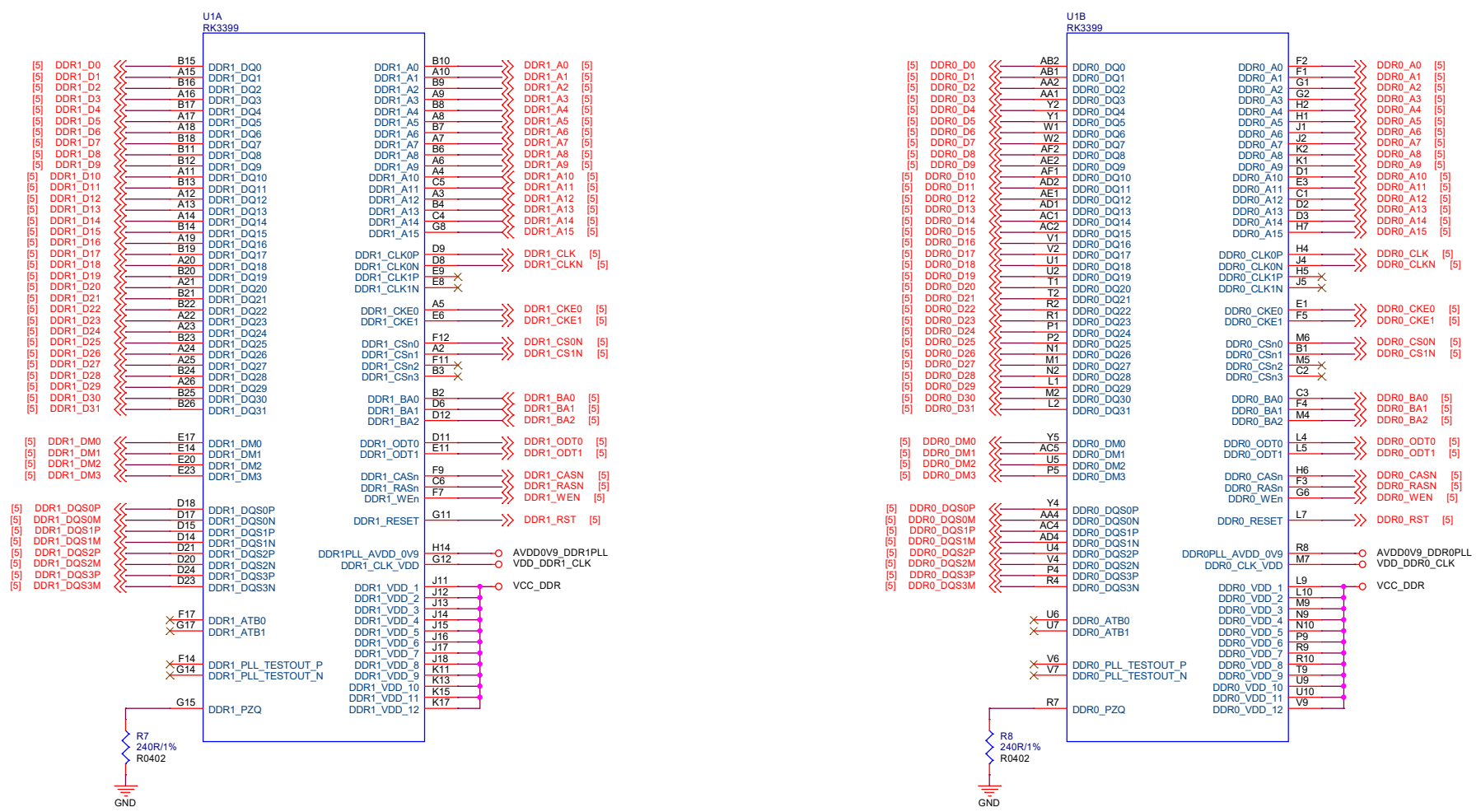
I2C device list :
I2C0 (3V), SYR838PKC, SYR837, RK808-D
I2C1 (1.8V) CSI0, ALC5651,
I2C2 (1.8V) CSI1
I2C3 (3V)
I2C4 (1.8V)
I2C5
I2C6
I2C7 (1.8V) HDMI
I2C8



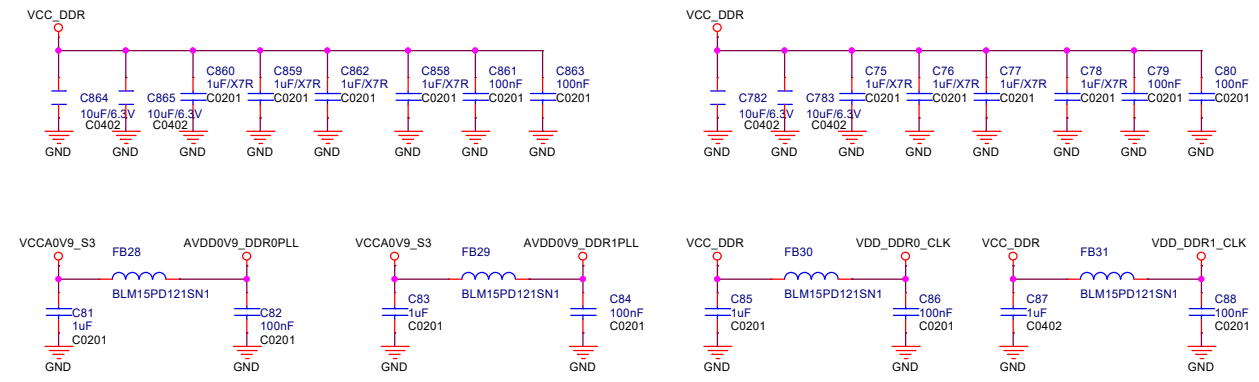
NanoPi M4B		
Size	Document Number	Rev
A3	01.Title	1909
Date:	Monday, May 18, 2020	Sheet 1 of 23





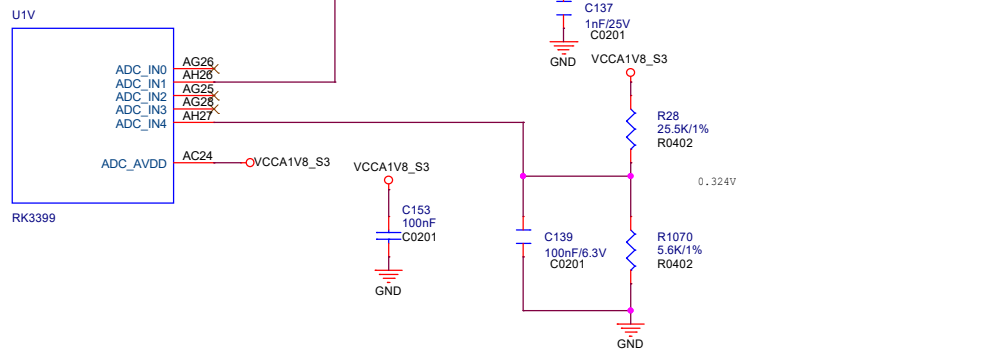
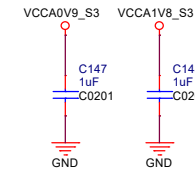
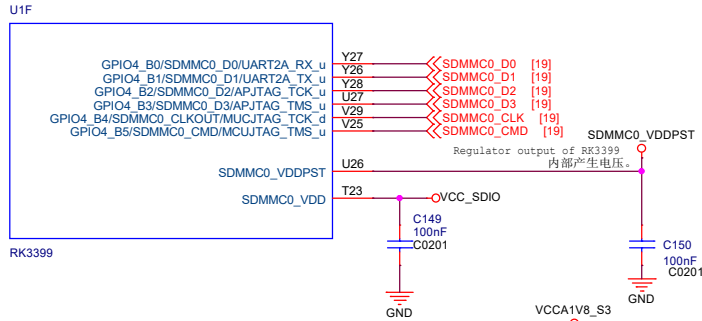
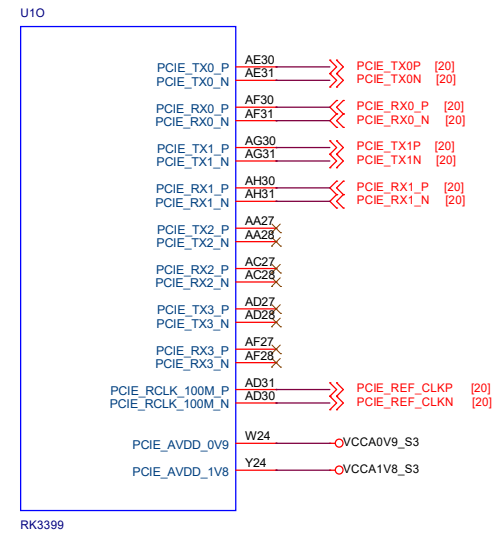
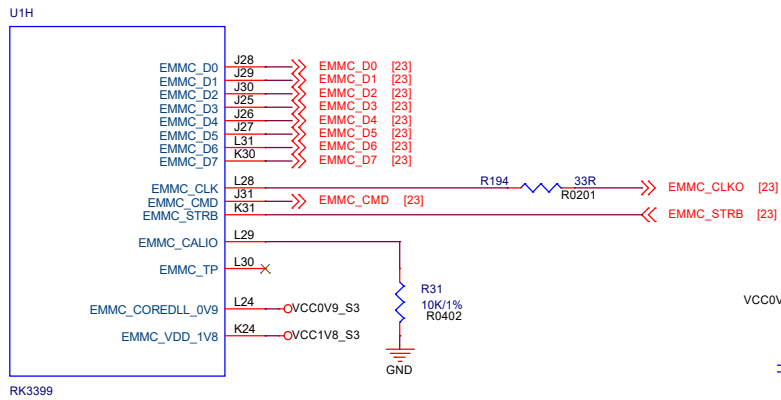


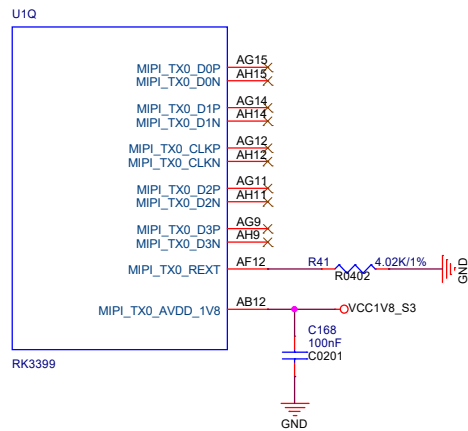
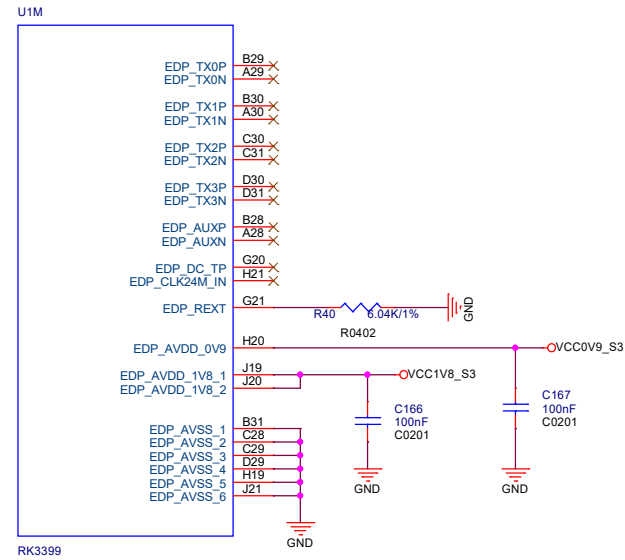
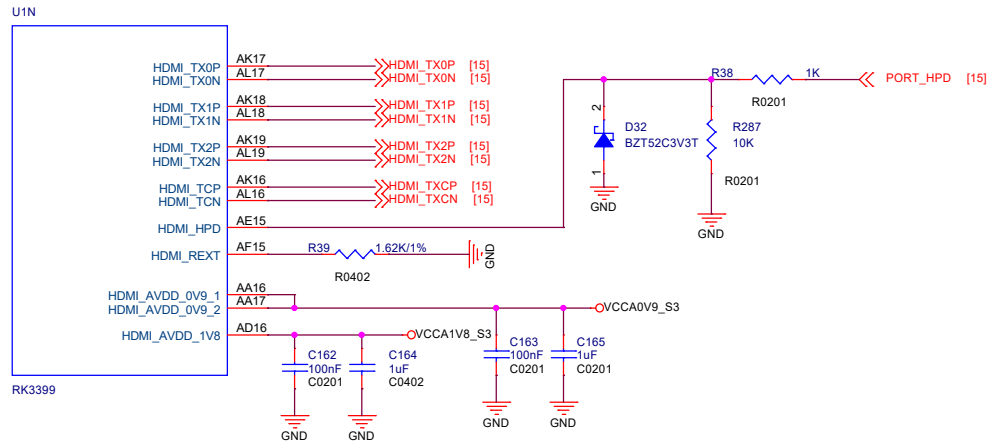
DDR FILTER

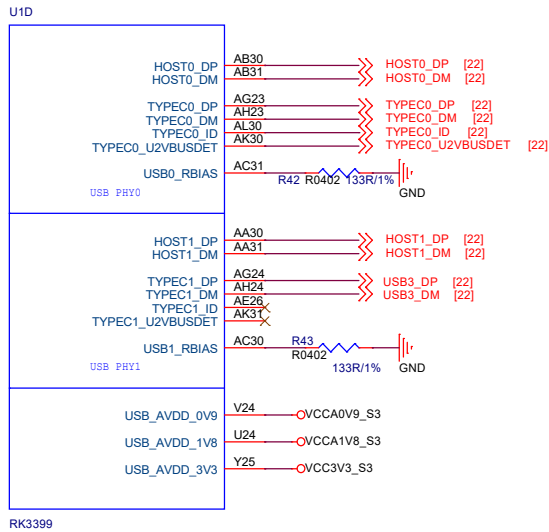


NanoPi M4B		
Size A3	Document Number 04_RK3399_DDR_Controller	Rev 1909
Date: Tuesday, November 26, 2019	Sheet 4	of 23

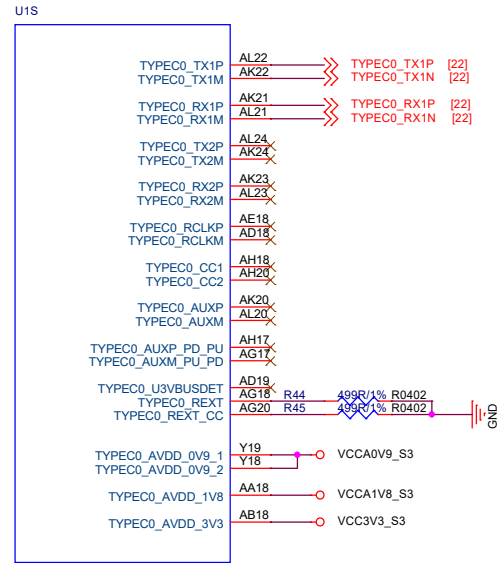
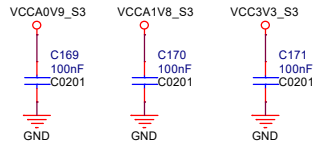




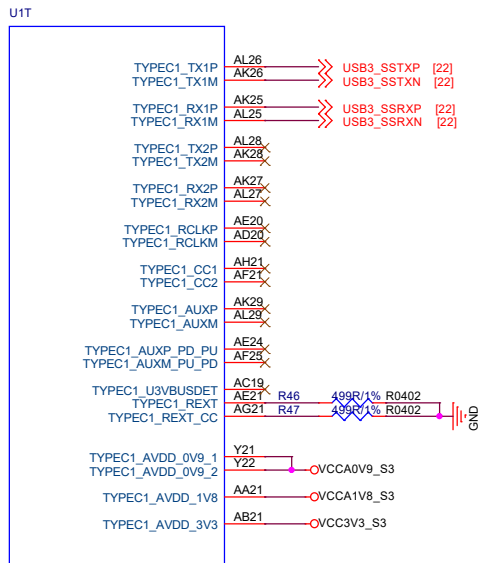
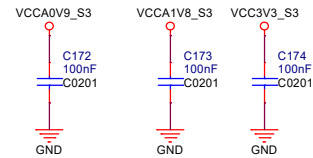




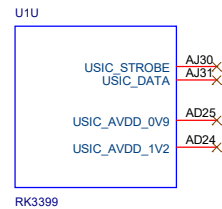
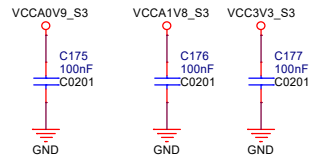
RK3399



RK3399

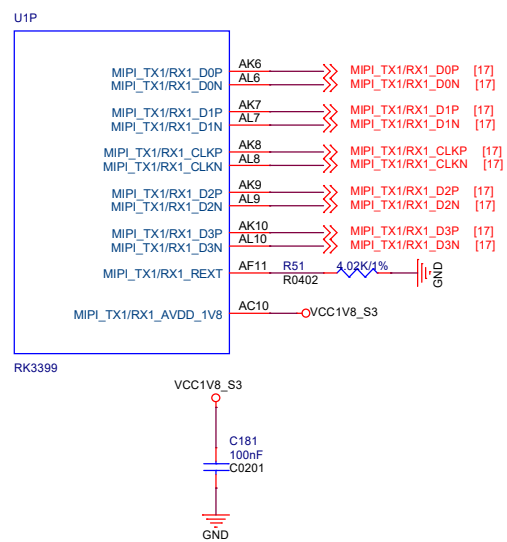
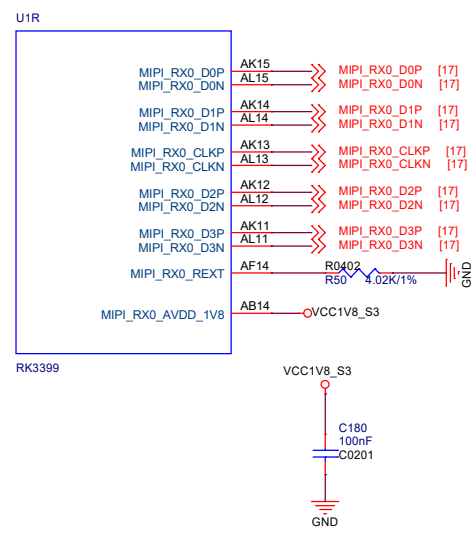
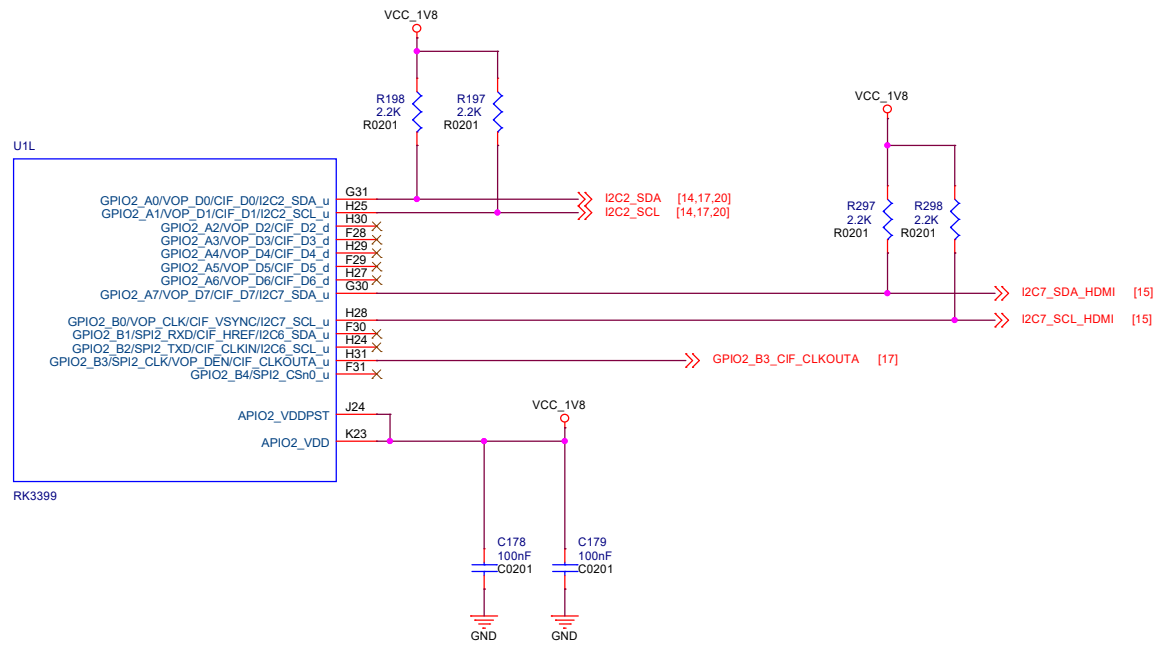


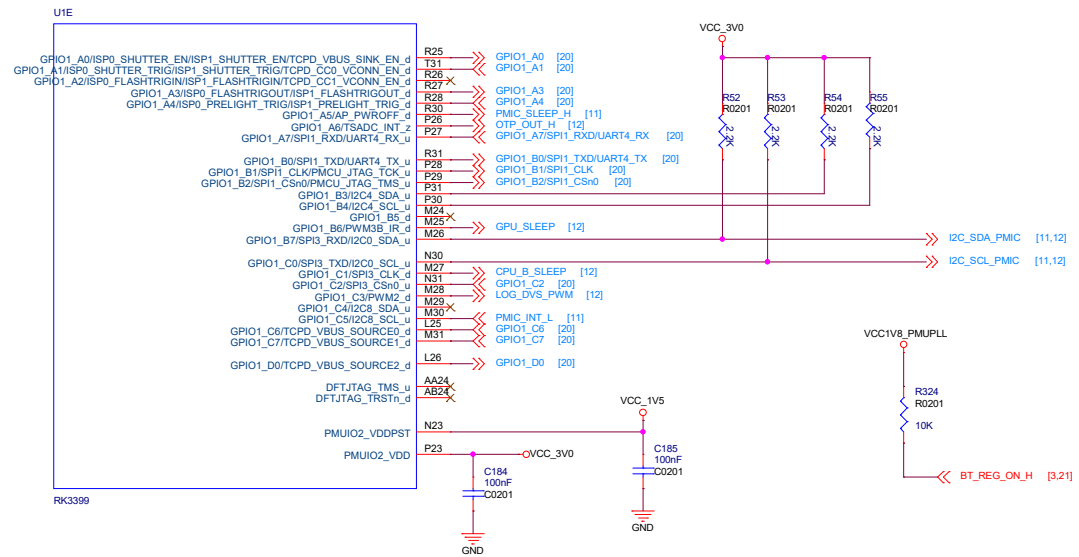
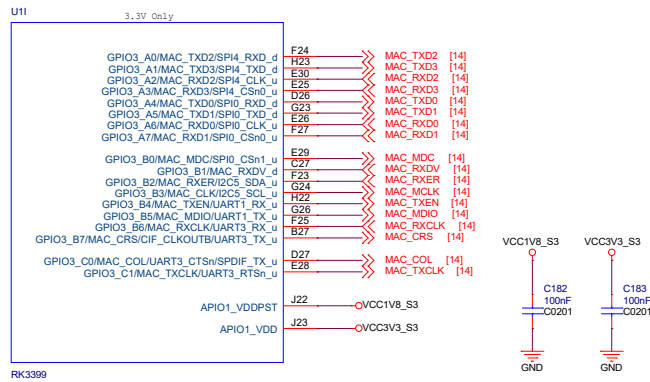
RK3399



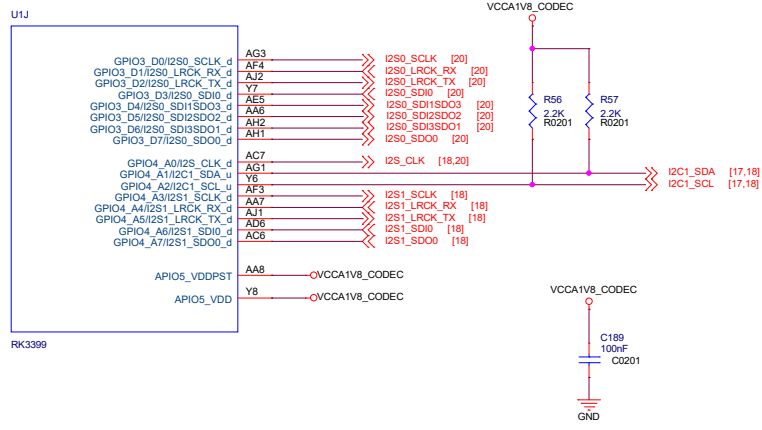
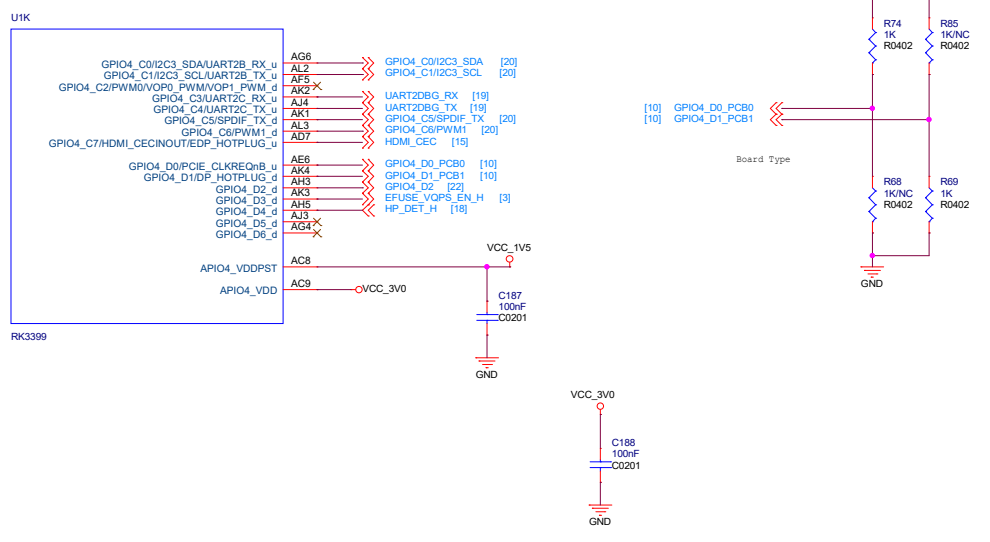
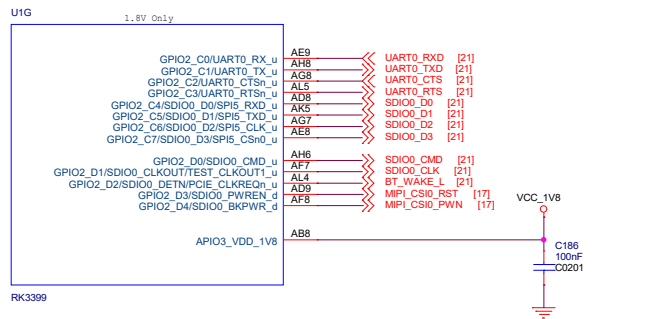
RK3399



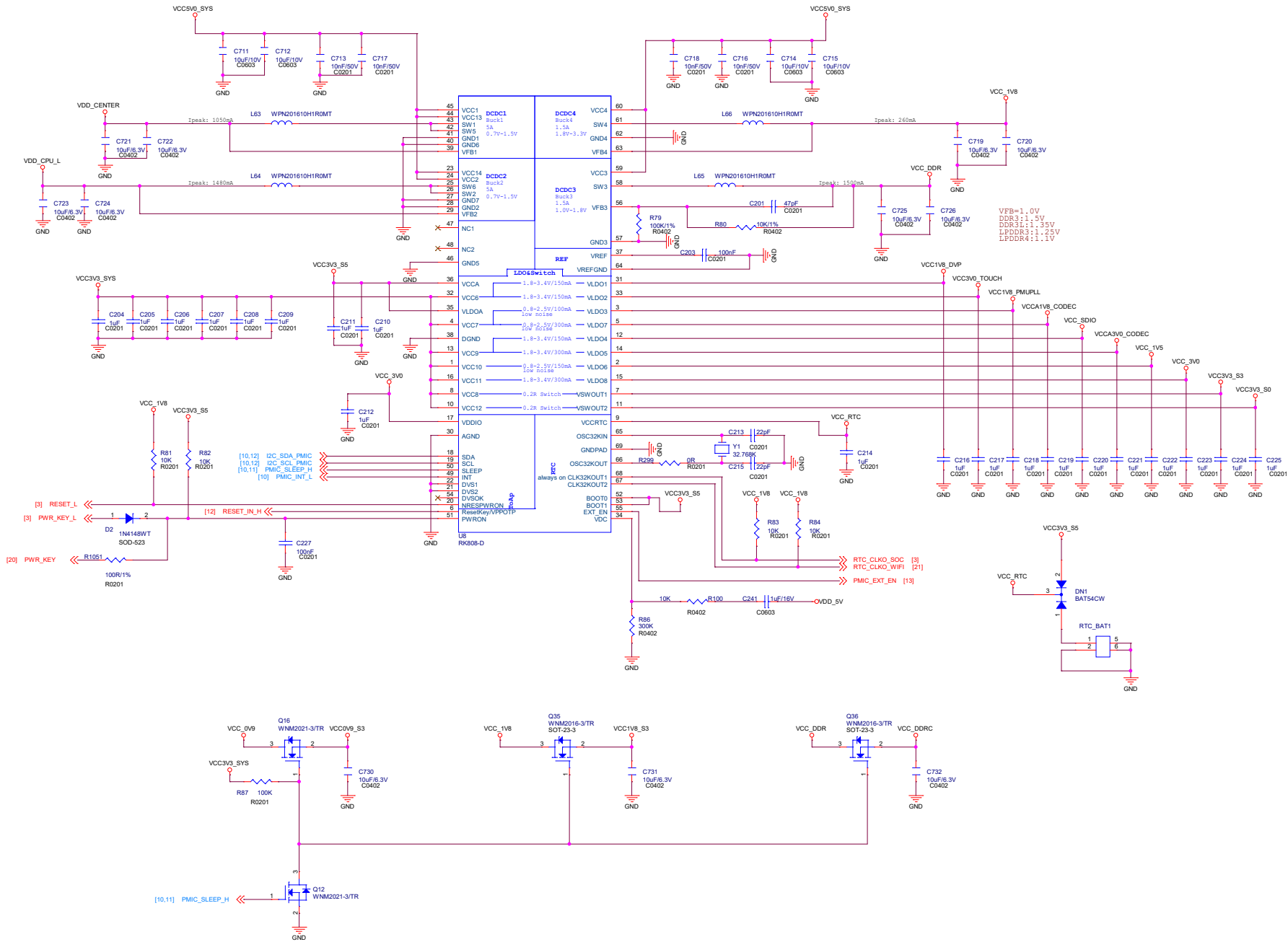


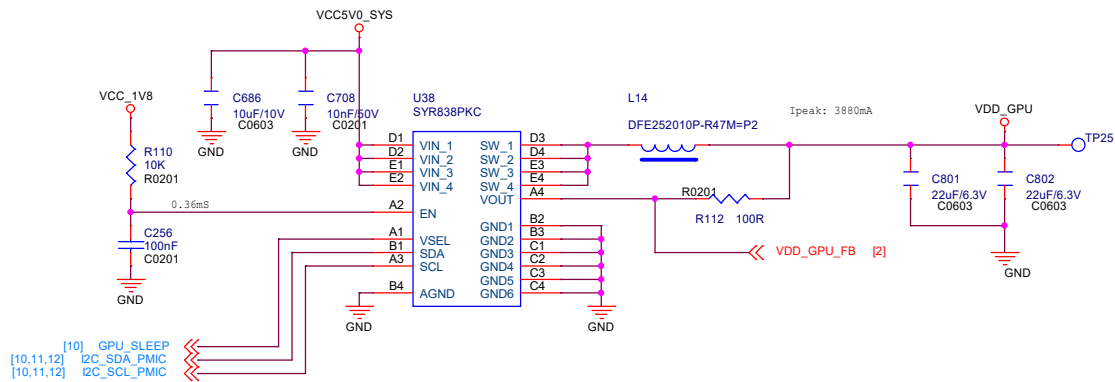


1.8V Only	VDDPST=VDDIO=1.8V
3.3V Only	VDDPST=1.8V, VDDIO=3.3V
other	3.0V mode: VDDPST=1.5V, VDDIO=3.0V 1.8V mode: VDDPST=1.8V, VDDIO=1.8V

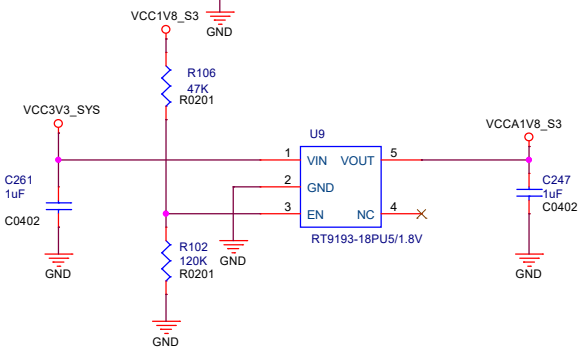
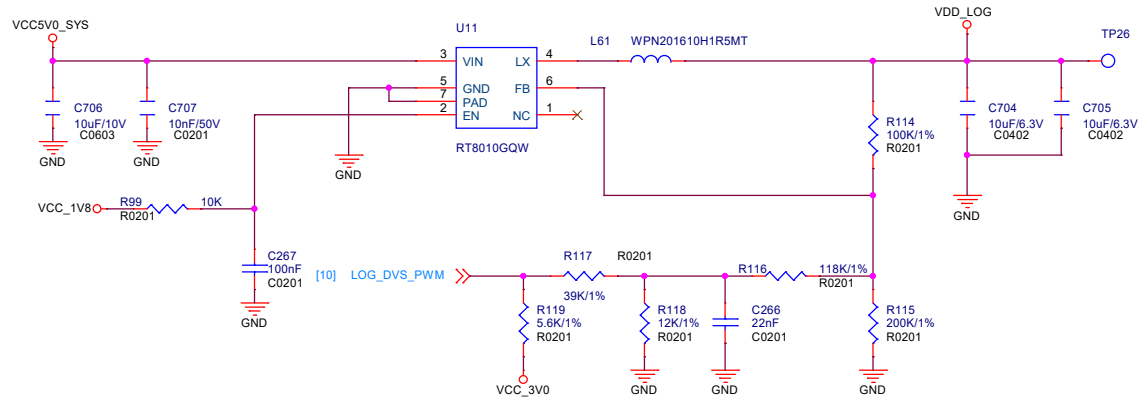
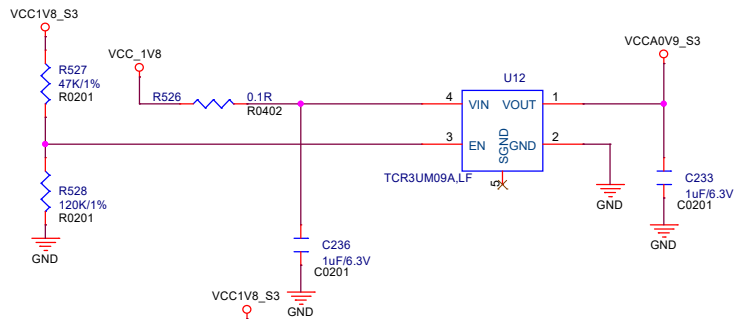
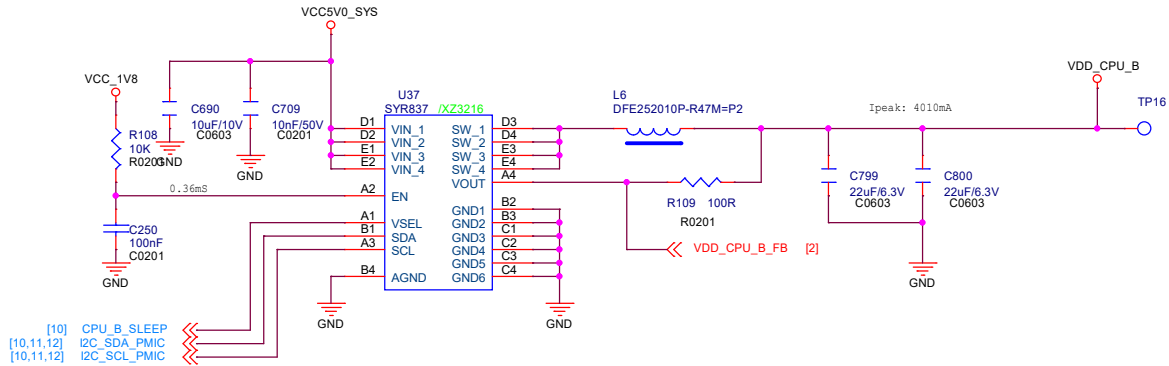
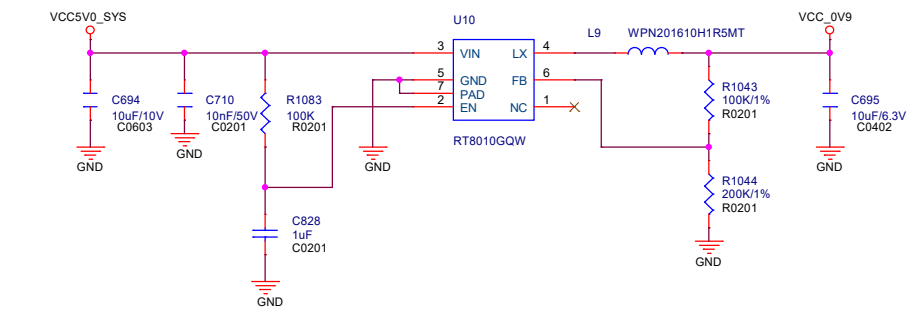
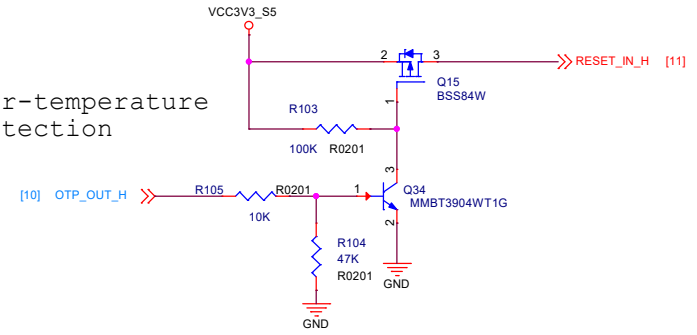


PMIC RK808



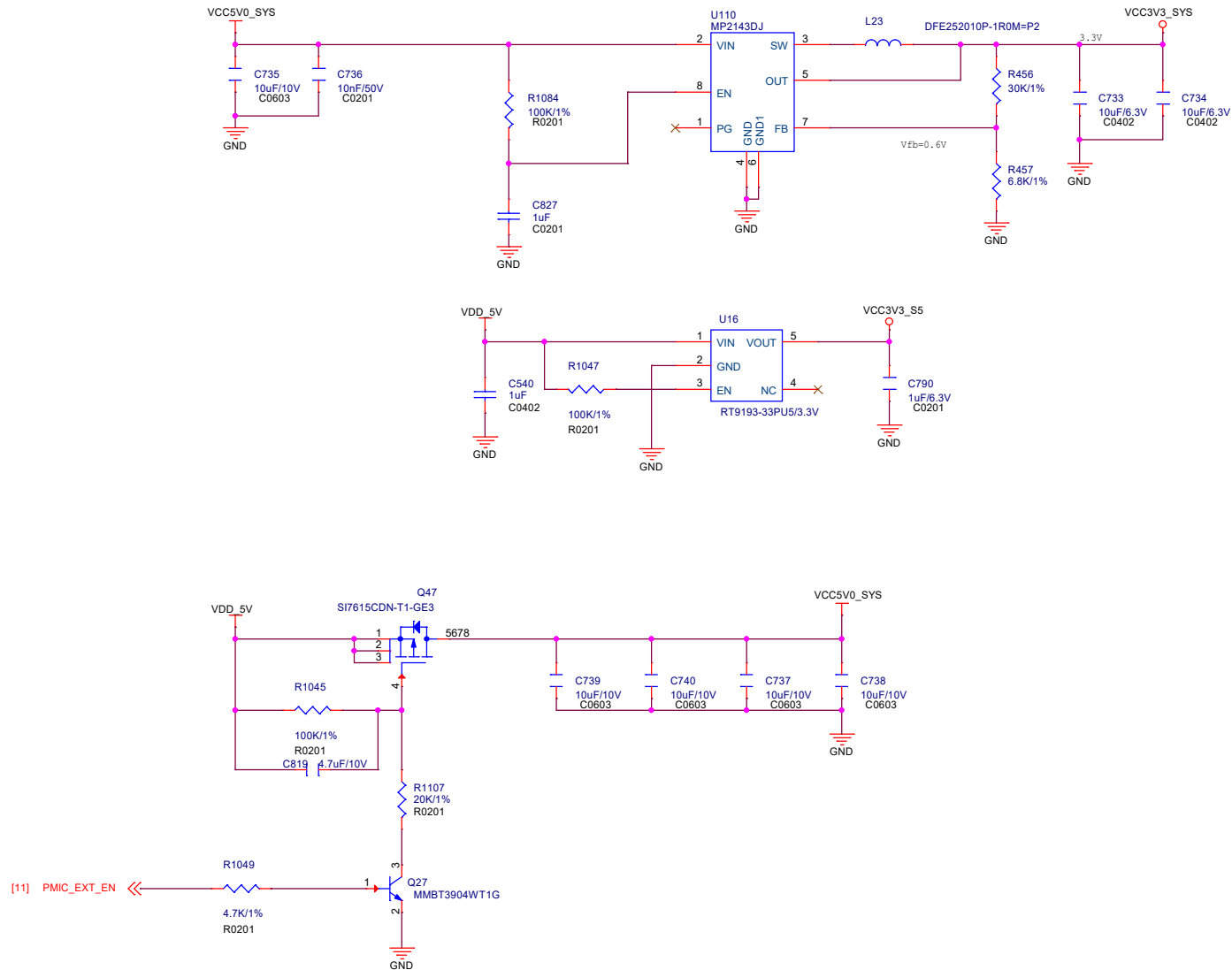


Over-temperature Protection

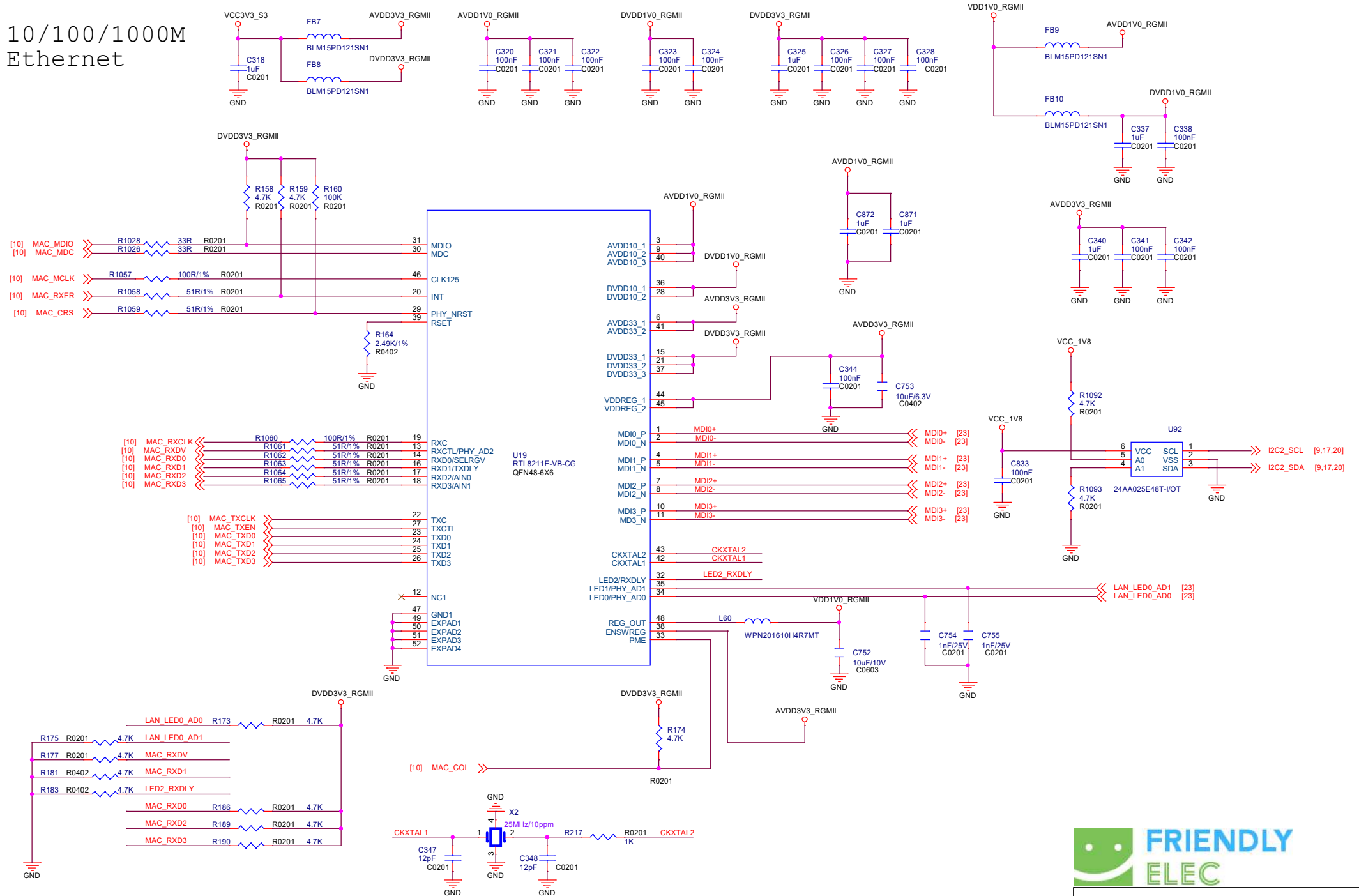


NanoPi M4B		
Size	Document Number	Rev
A3	12.Power2-CPU/GPU/etc	1909
Date:	Tuesday, November 26, 2019	Sheet 12 of 23

Power Supply

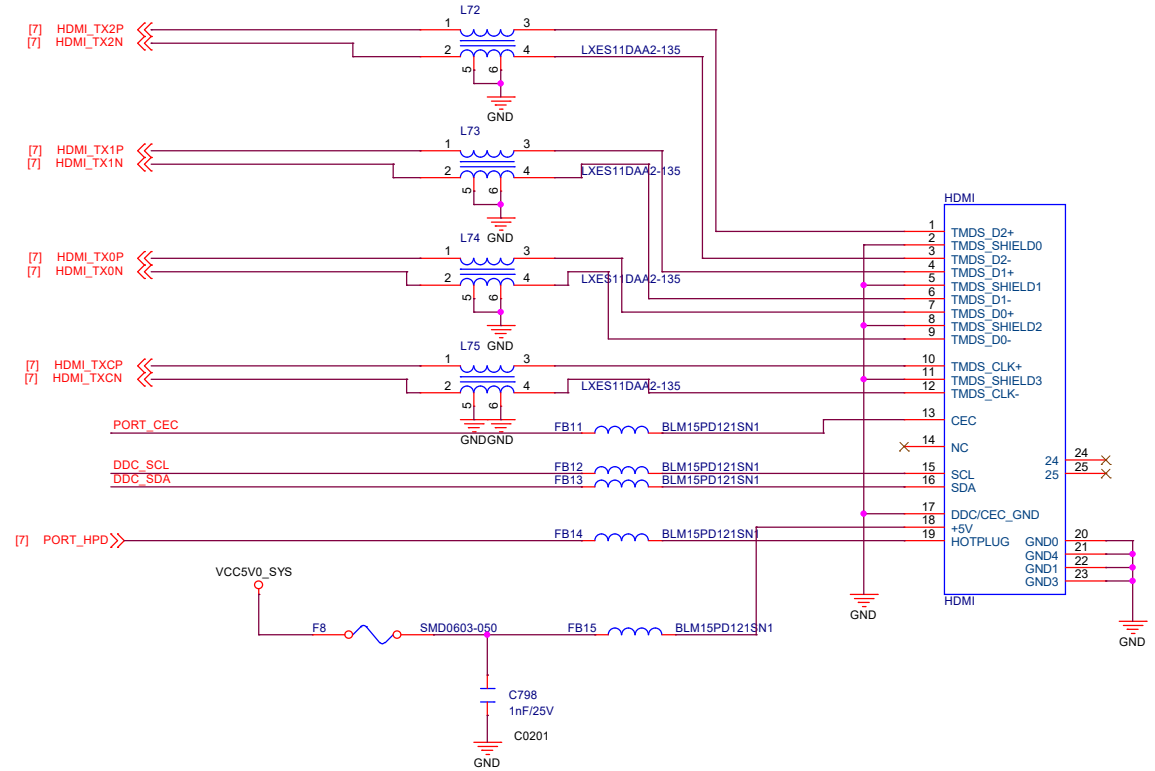
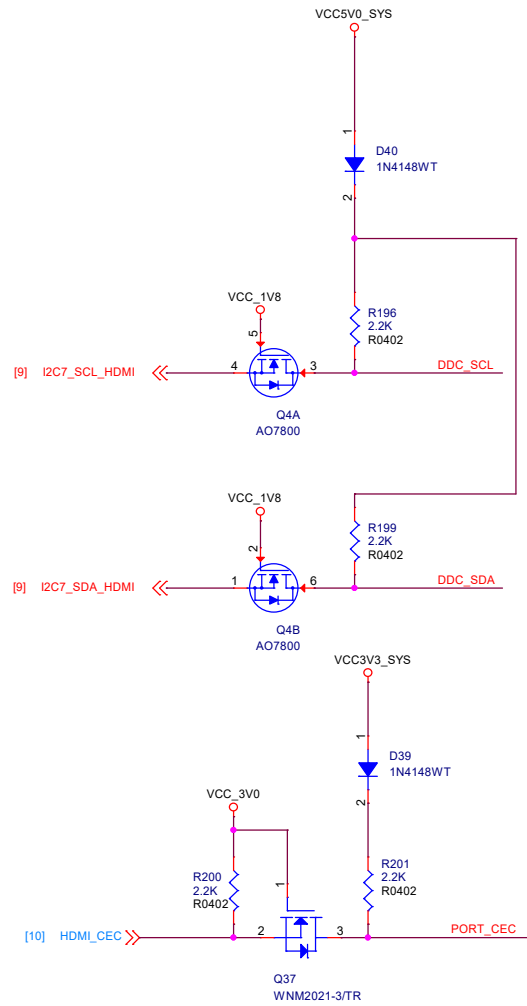


10/100/1000M Ethernet

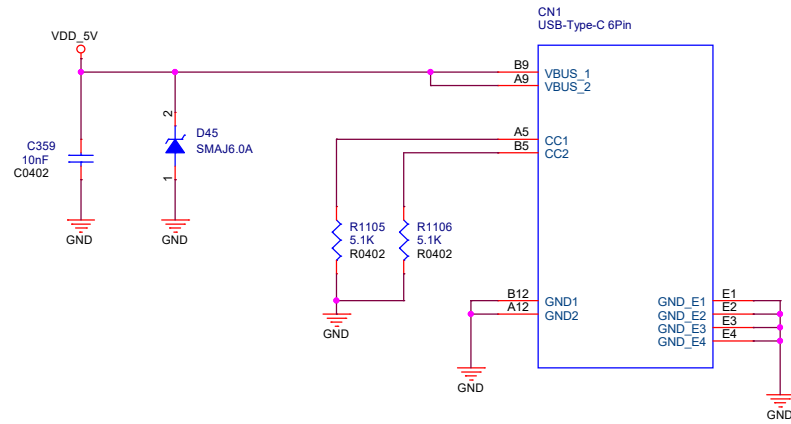


NanoPi M4B		
Size A3	Document Number 14.RGMII-10/100/1000M	Rev 1909
Date: Tuesday, November 26, 2019	Sheet 14	of 23

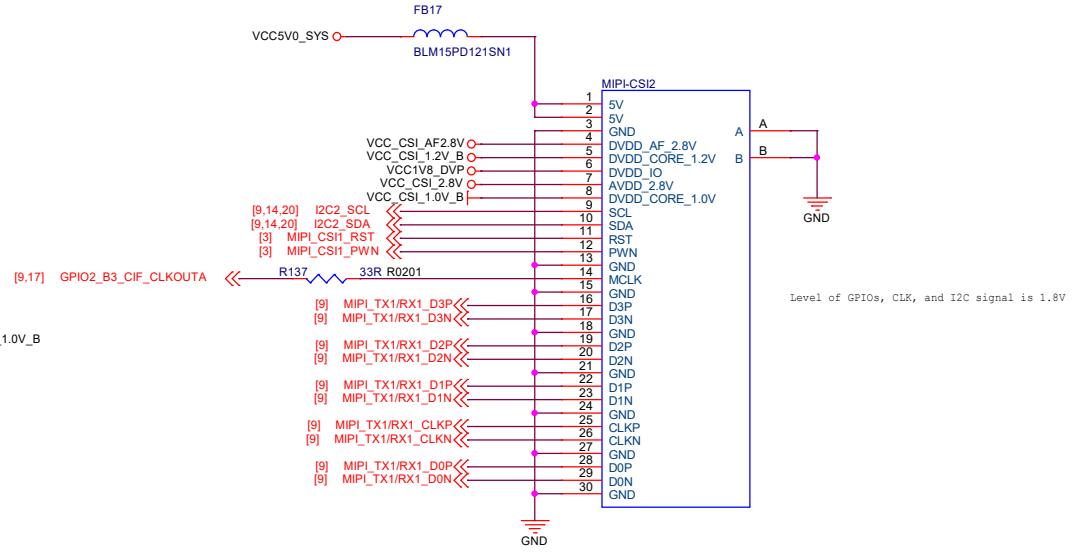
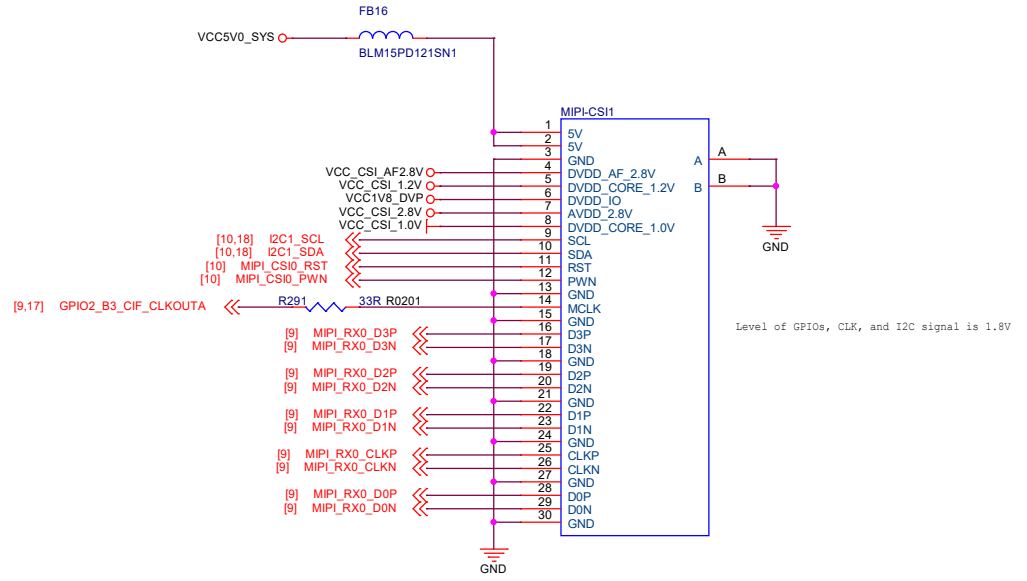
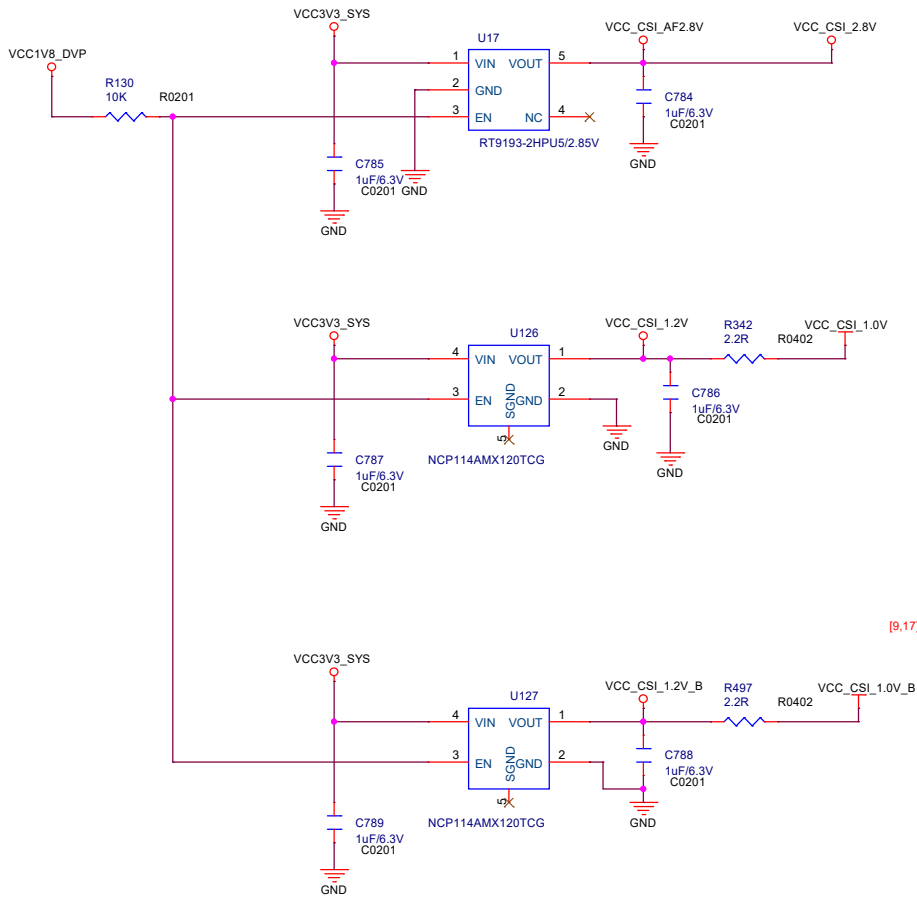
HDMI Port



USB Type-C

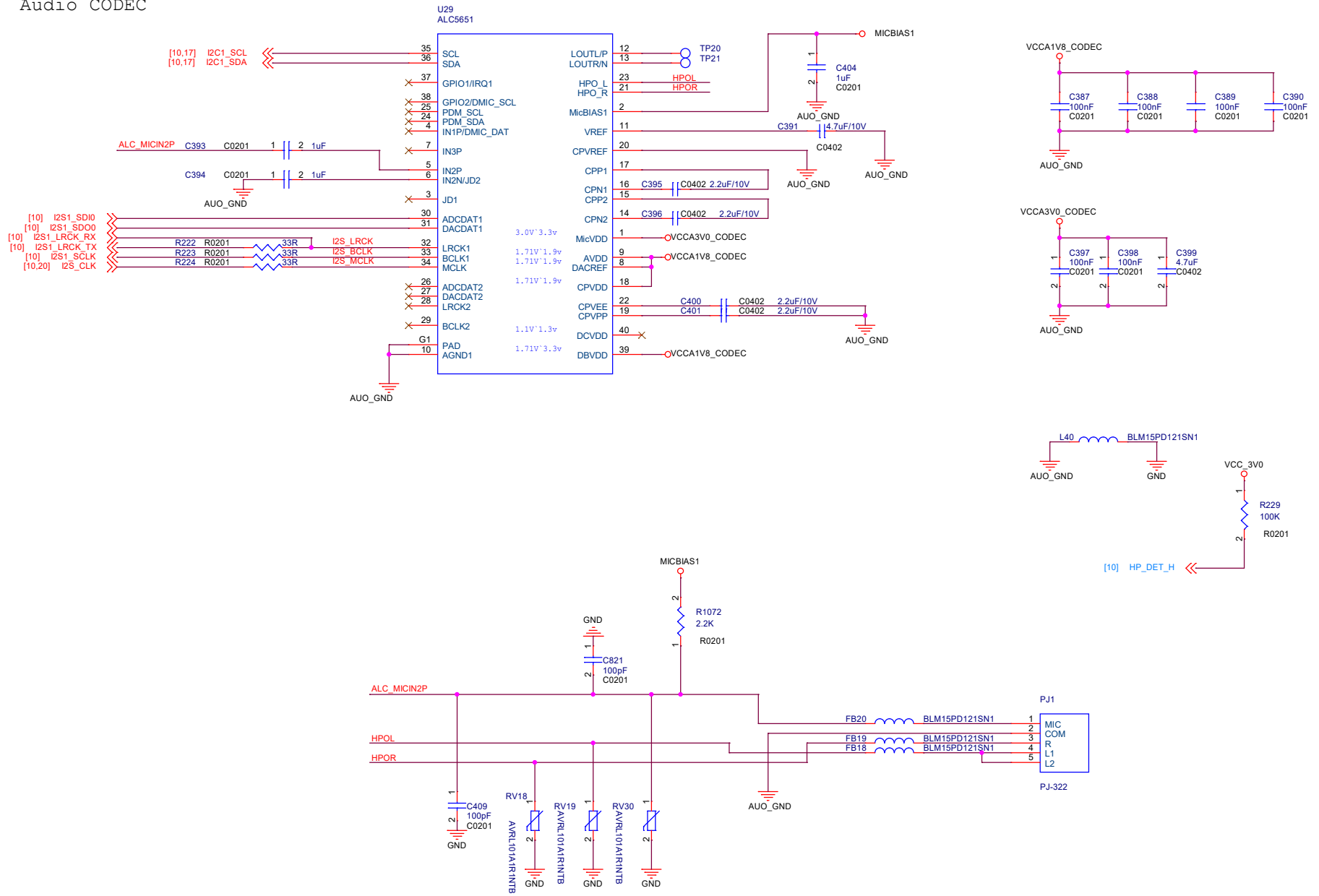


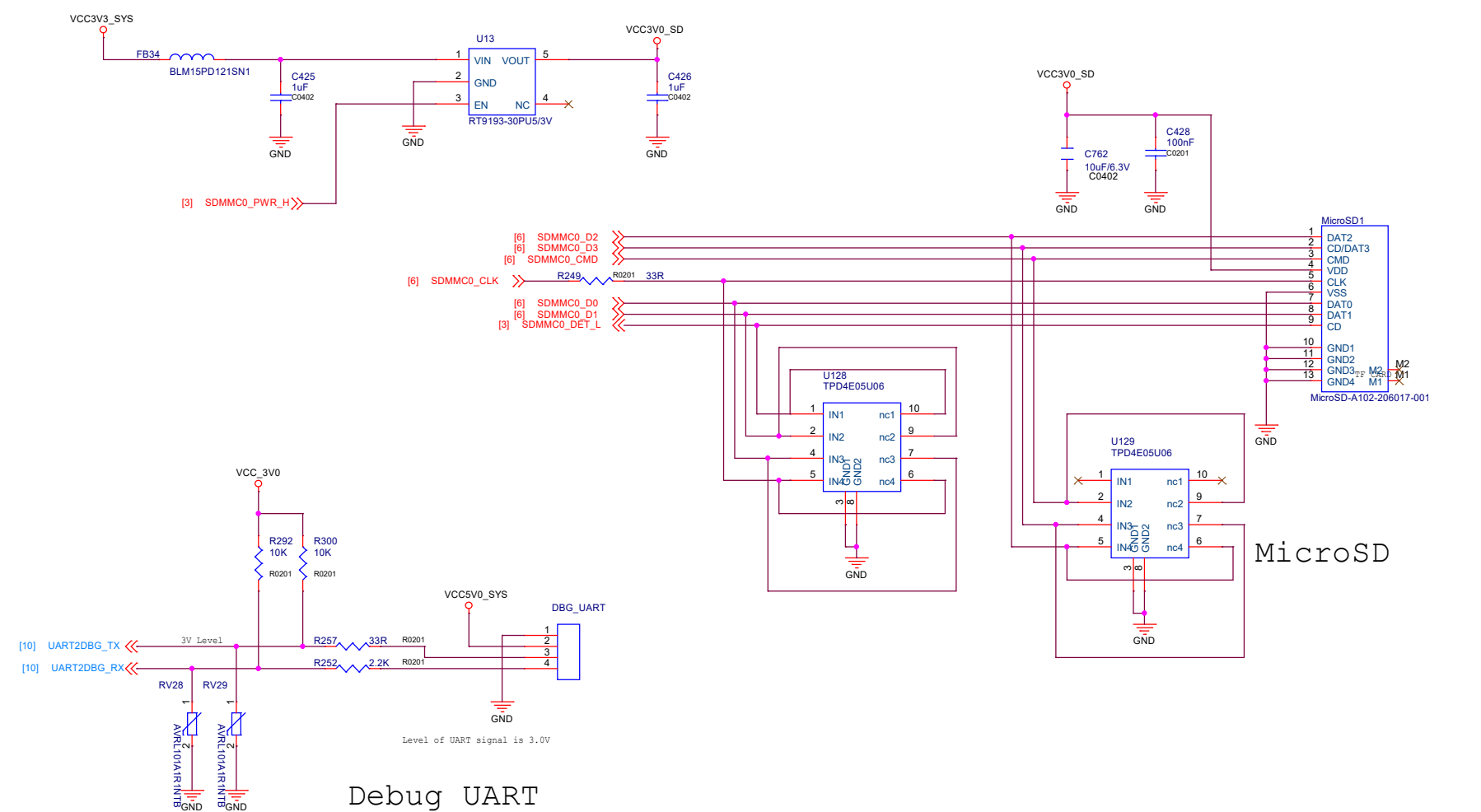
MIPI-CSI



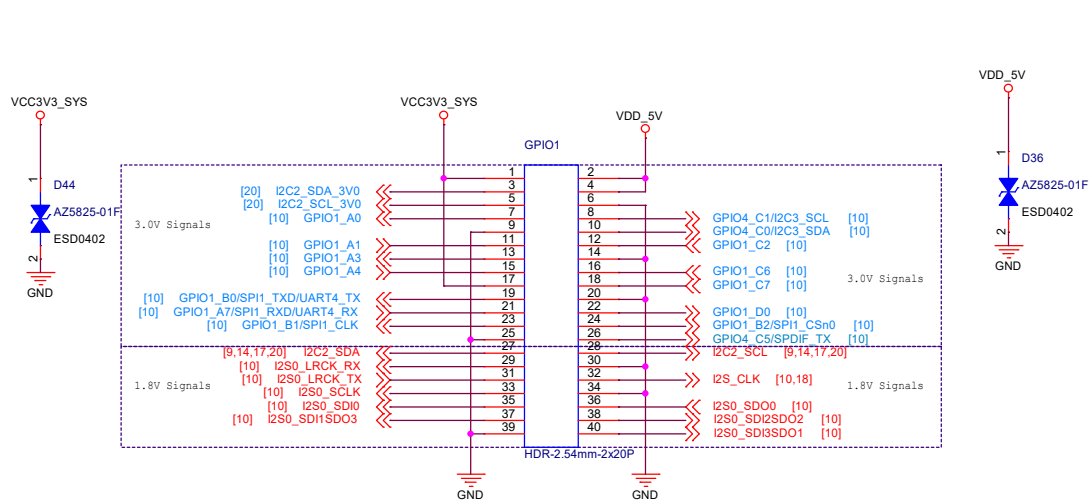
NanoPi M4B		
Size A3	Document Number 17.MIPI-CSI	Rev 1909
Date: Tuesday, November 26, 2019	Sheet 17	of 23

Audio CODEC

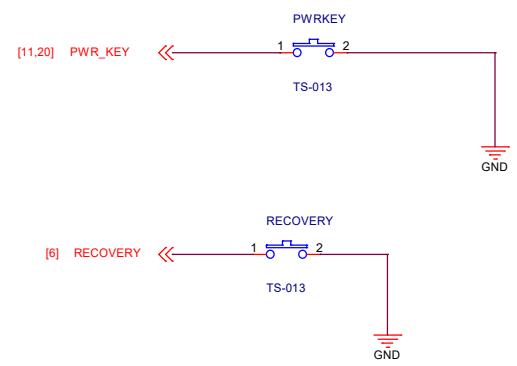
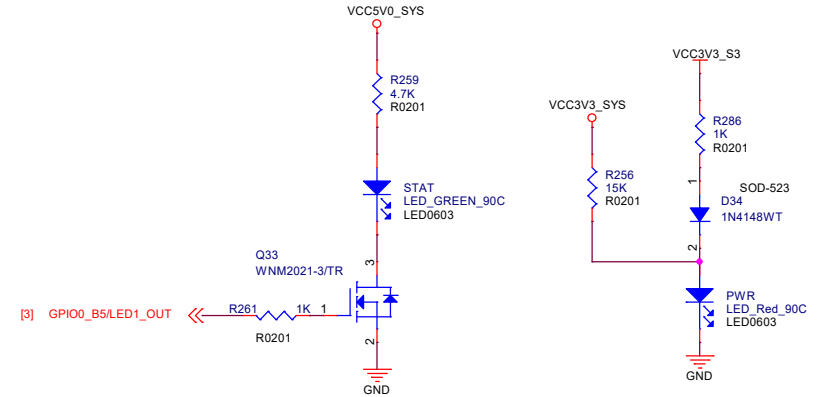
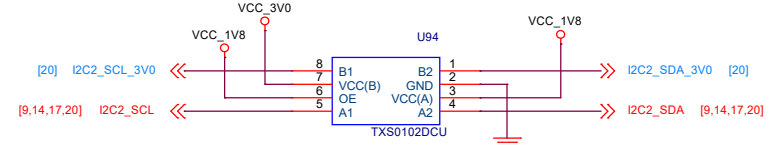
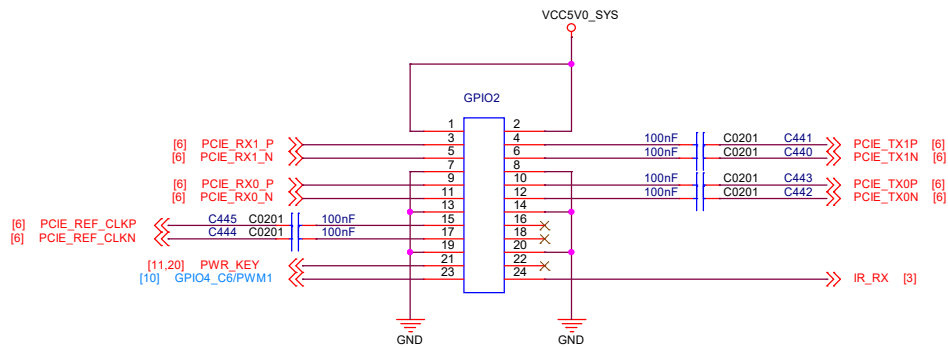




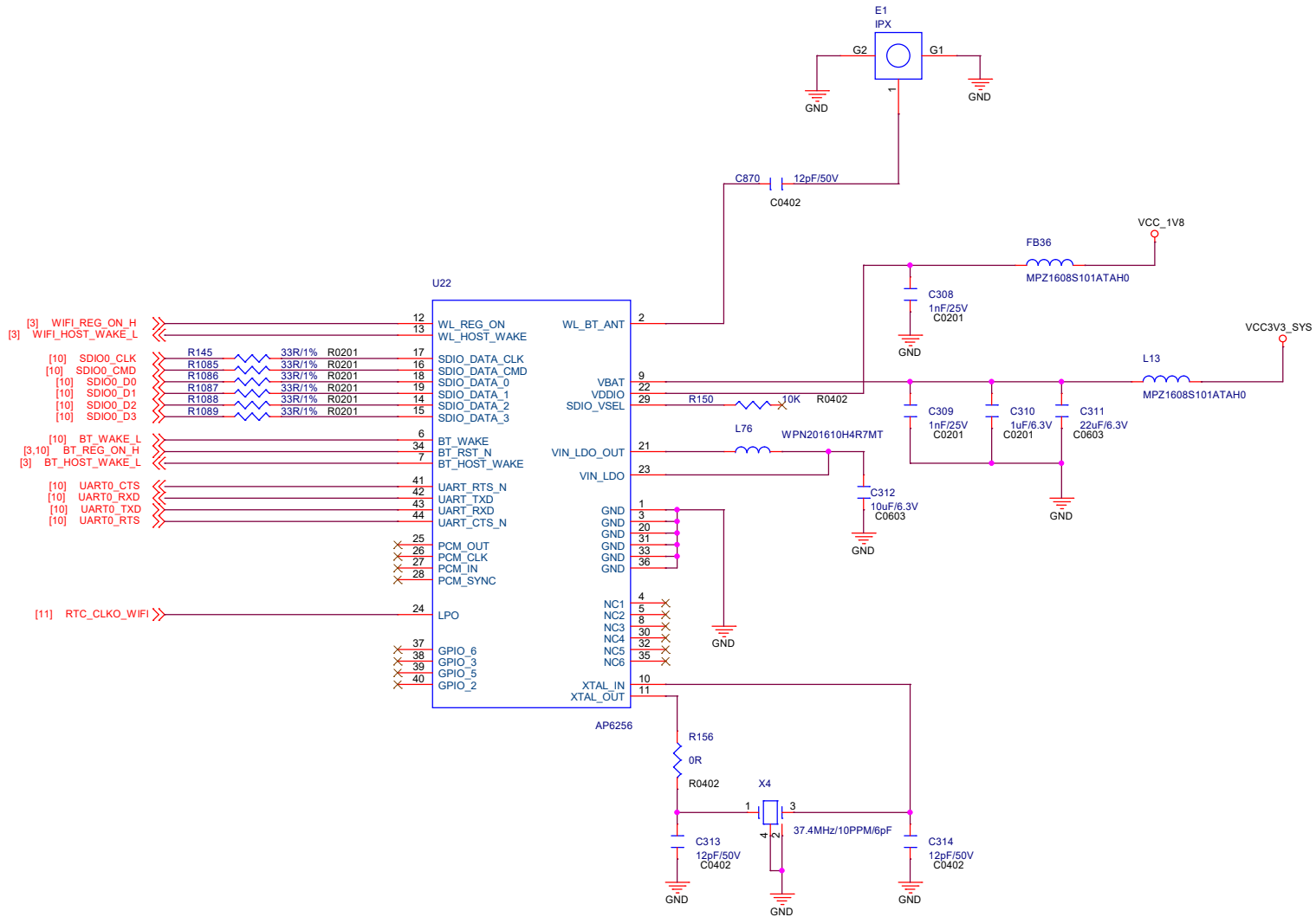
GPIO

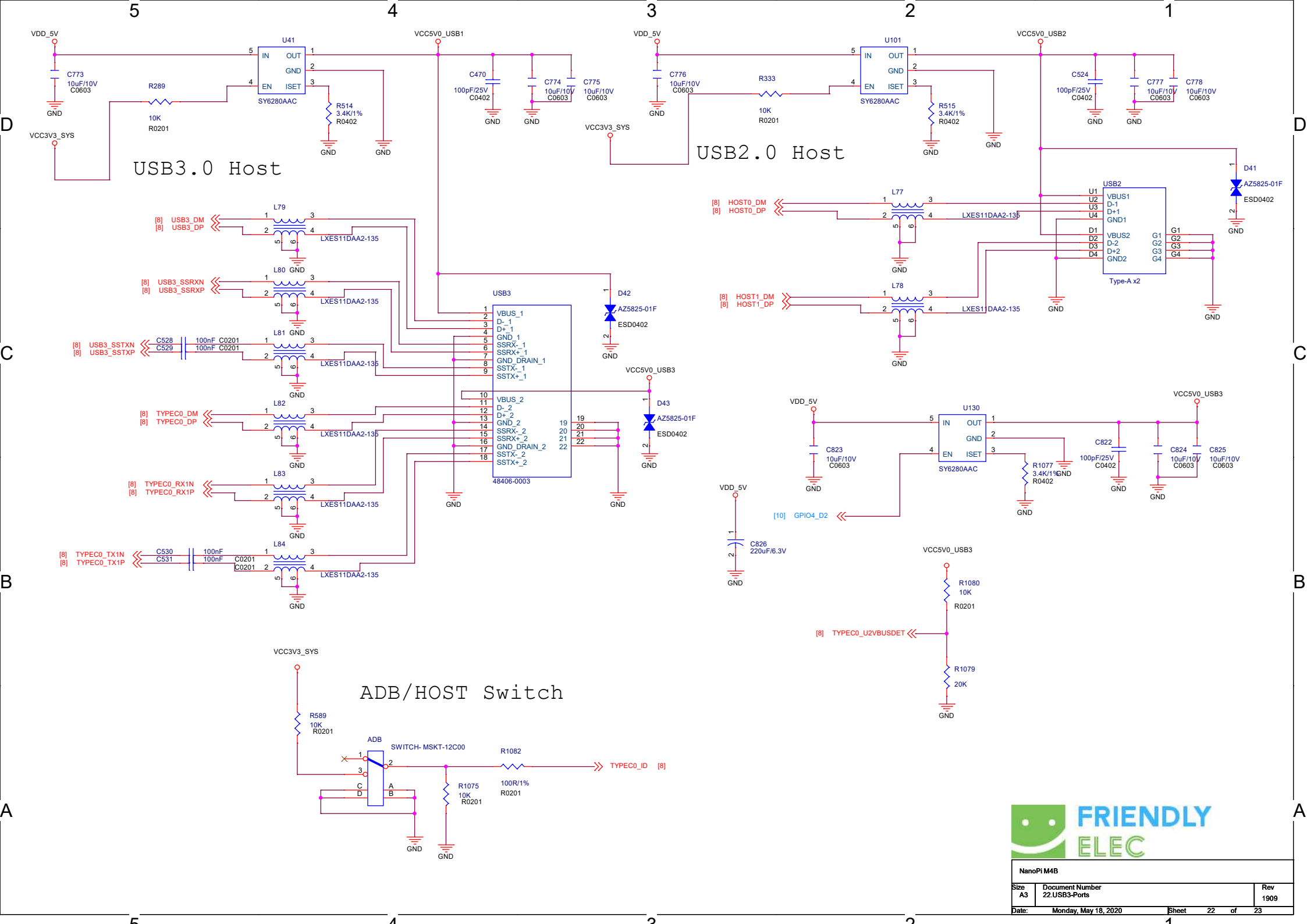


PCIe, USB



Wi-Fi/Bluetooth





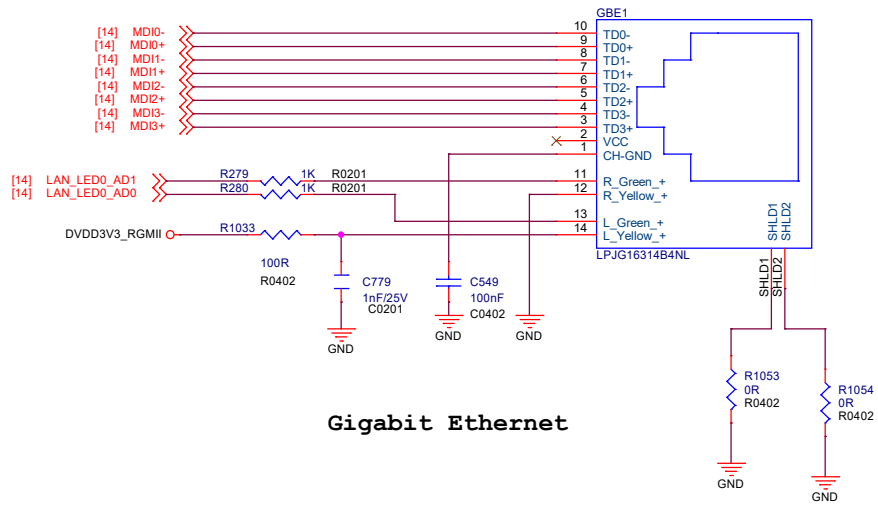
USB3.0 Host

USB2.0 Host

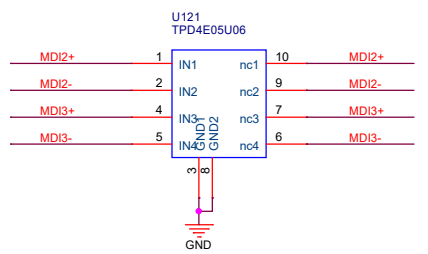
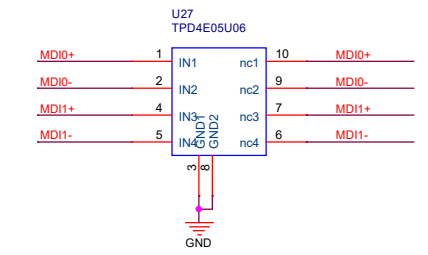
ADB/HOST Switch



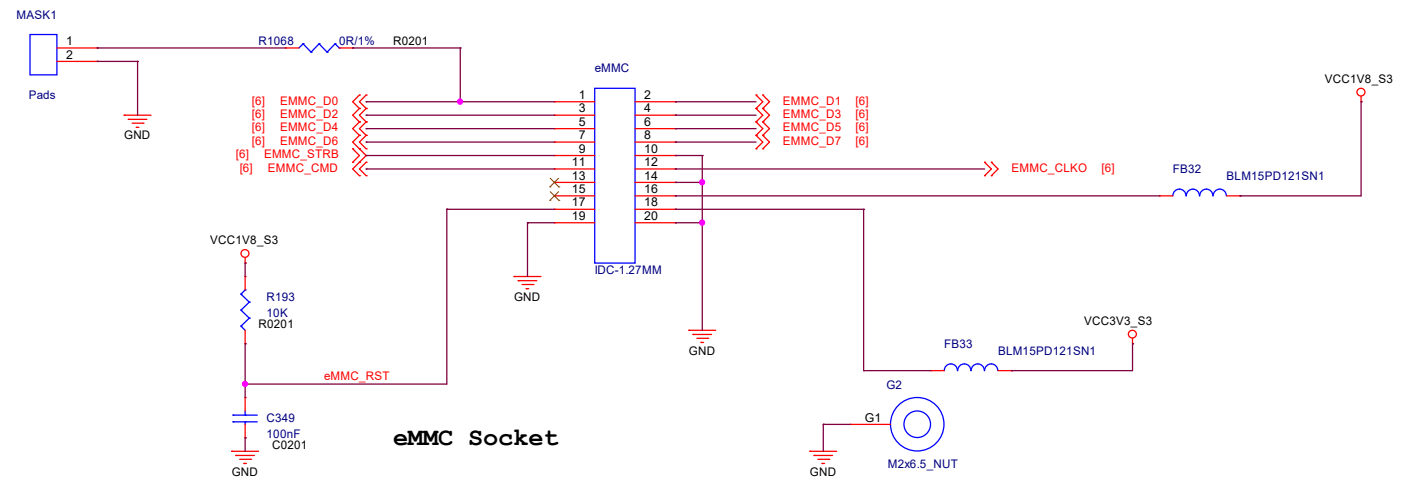
NanoPi M4B		
Size	Document Number	Rev
A3	22.USB3-Ports	1909
Date:	Monday, May 18, 2020	Sheet 22 of 23



Gigabit Ethernet



Gigabit Ethernet



eMMC Socket

