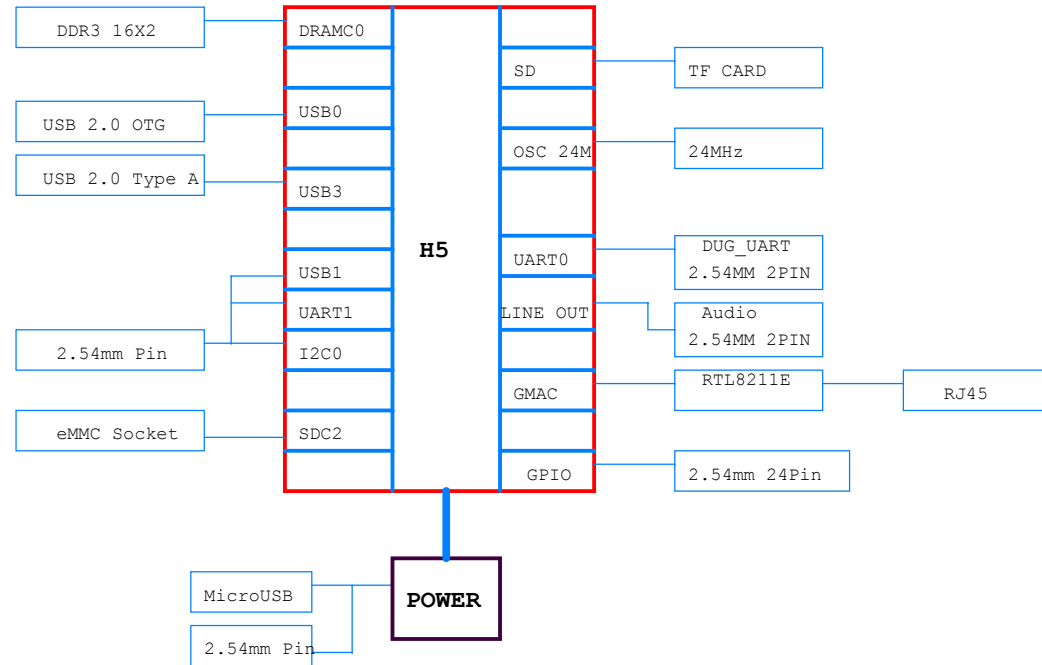


NanoPi NEO2 Black

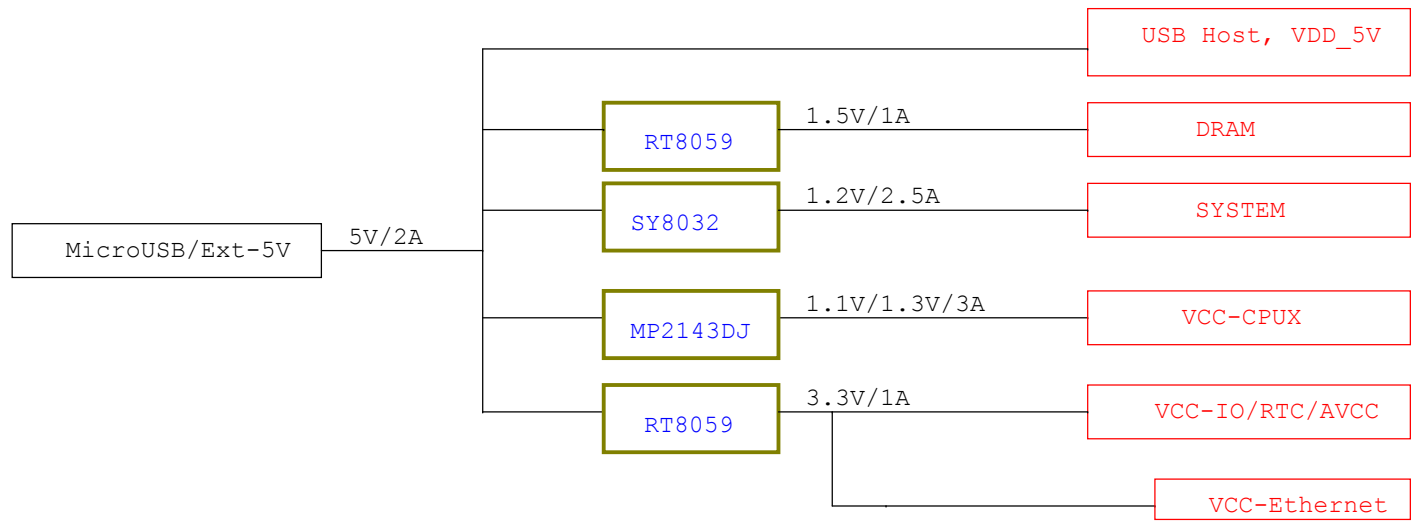


NanoPi NEO2 Black		
Size A3	Document Number 01:Title	Rev 1907
Date:	Tuesday, October 08, 2019	Sheet 1 of 12

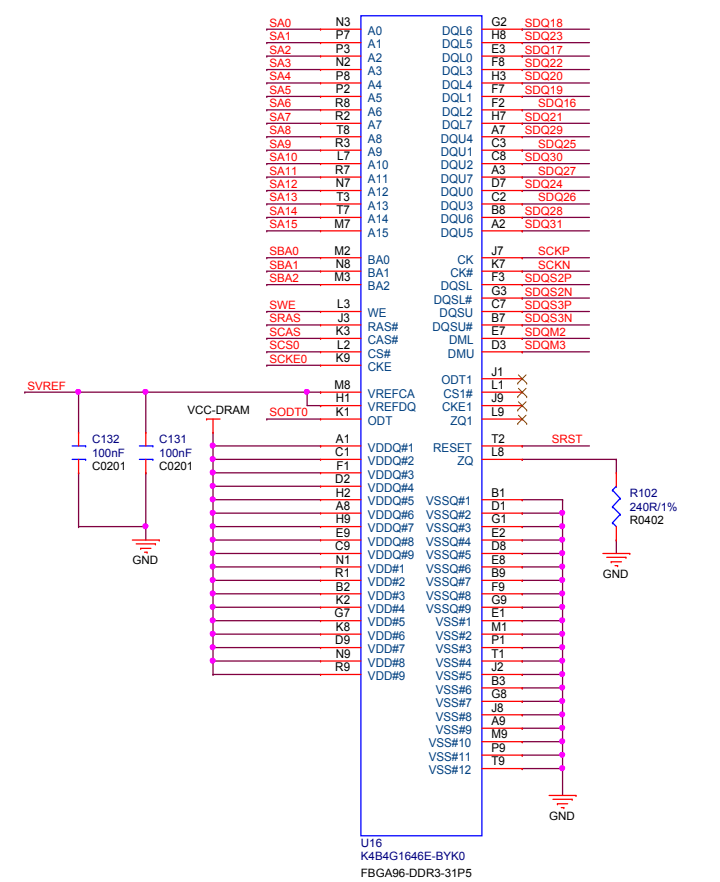
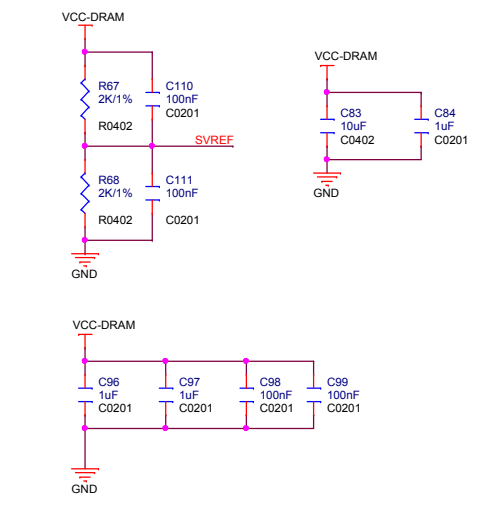
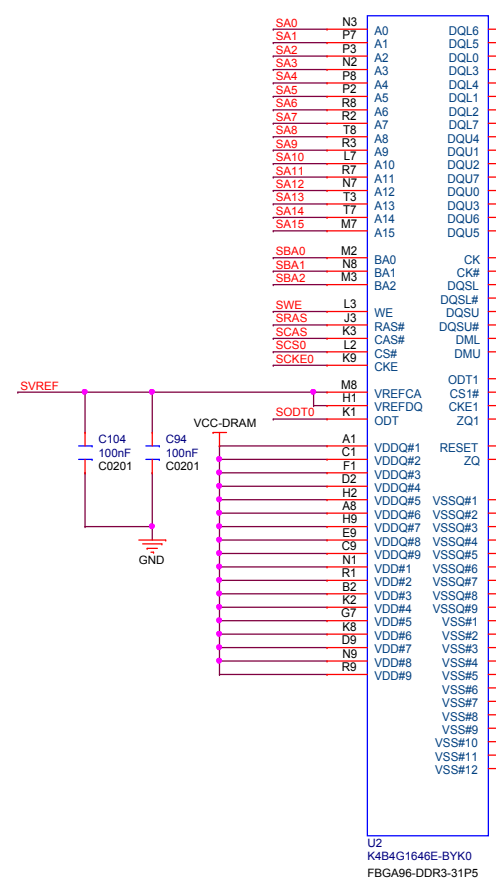
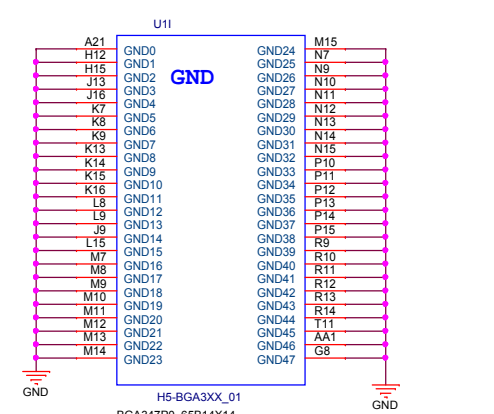
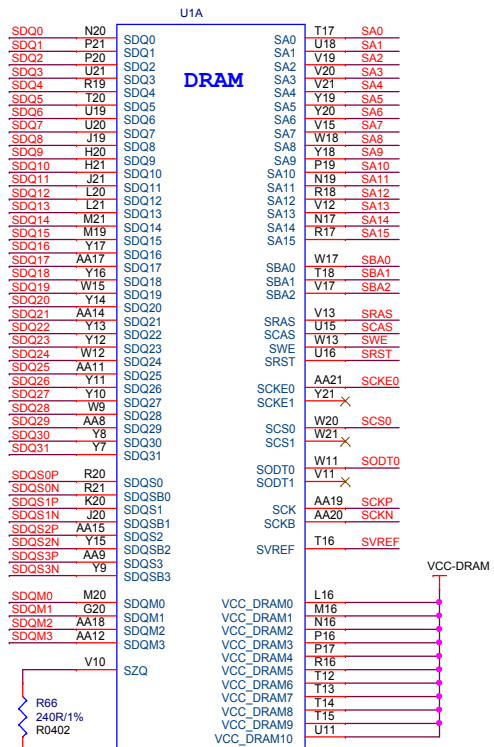
BLOCK



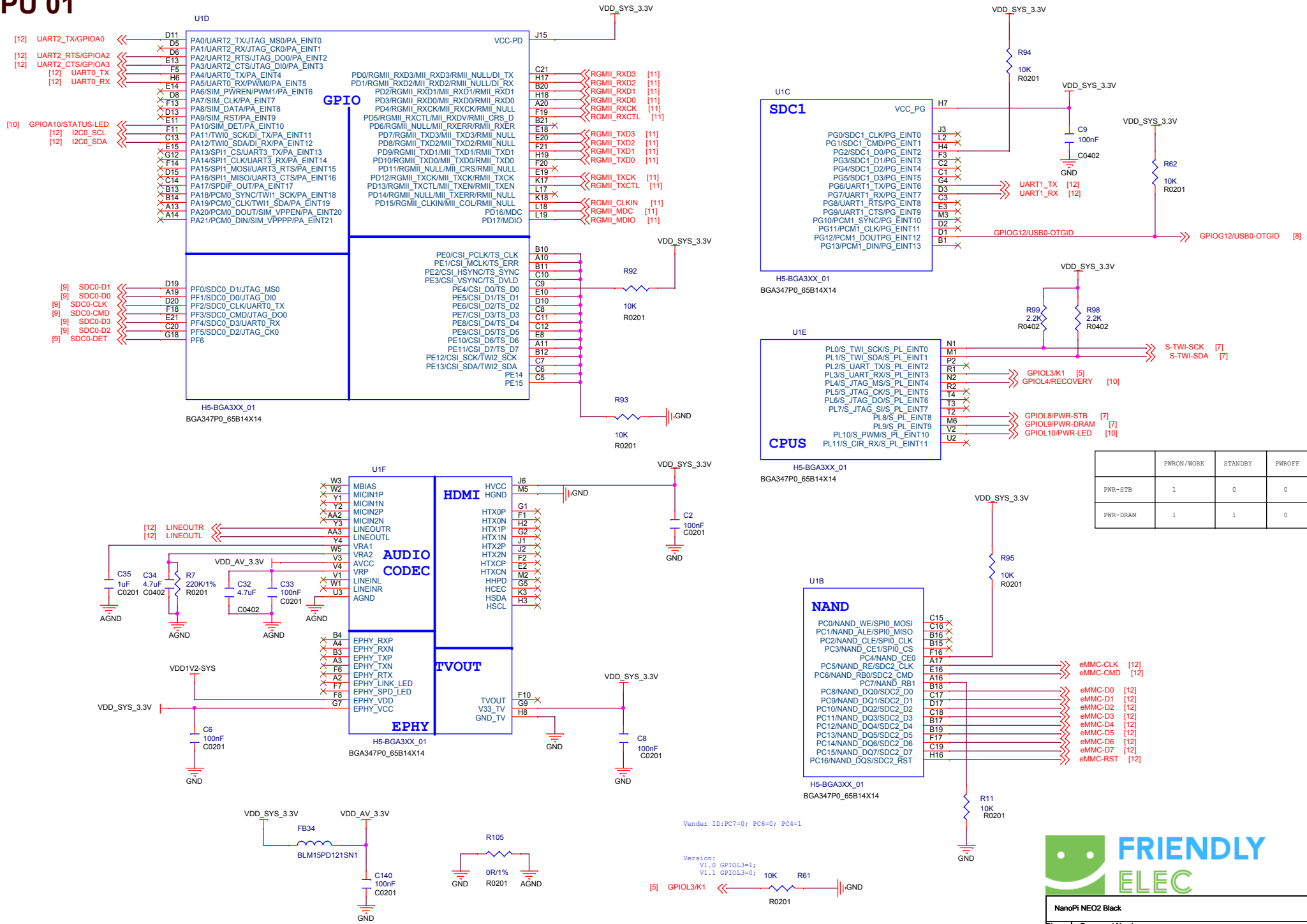
POWER TREE



DDR3



CPU 01



	PWRON/WORK	STANDBY	PWR-OFF
PWR-STB	1	0	0
PWR-DRAM	1	1	0



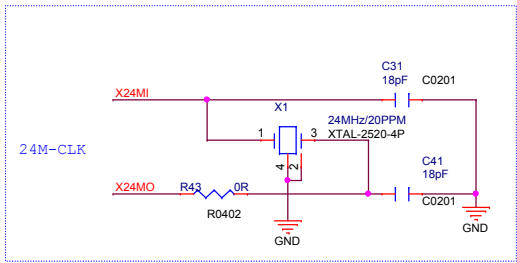
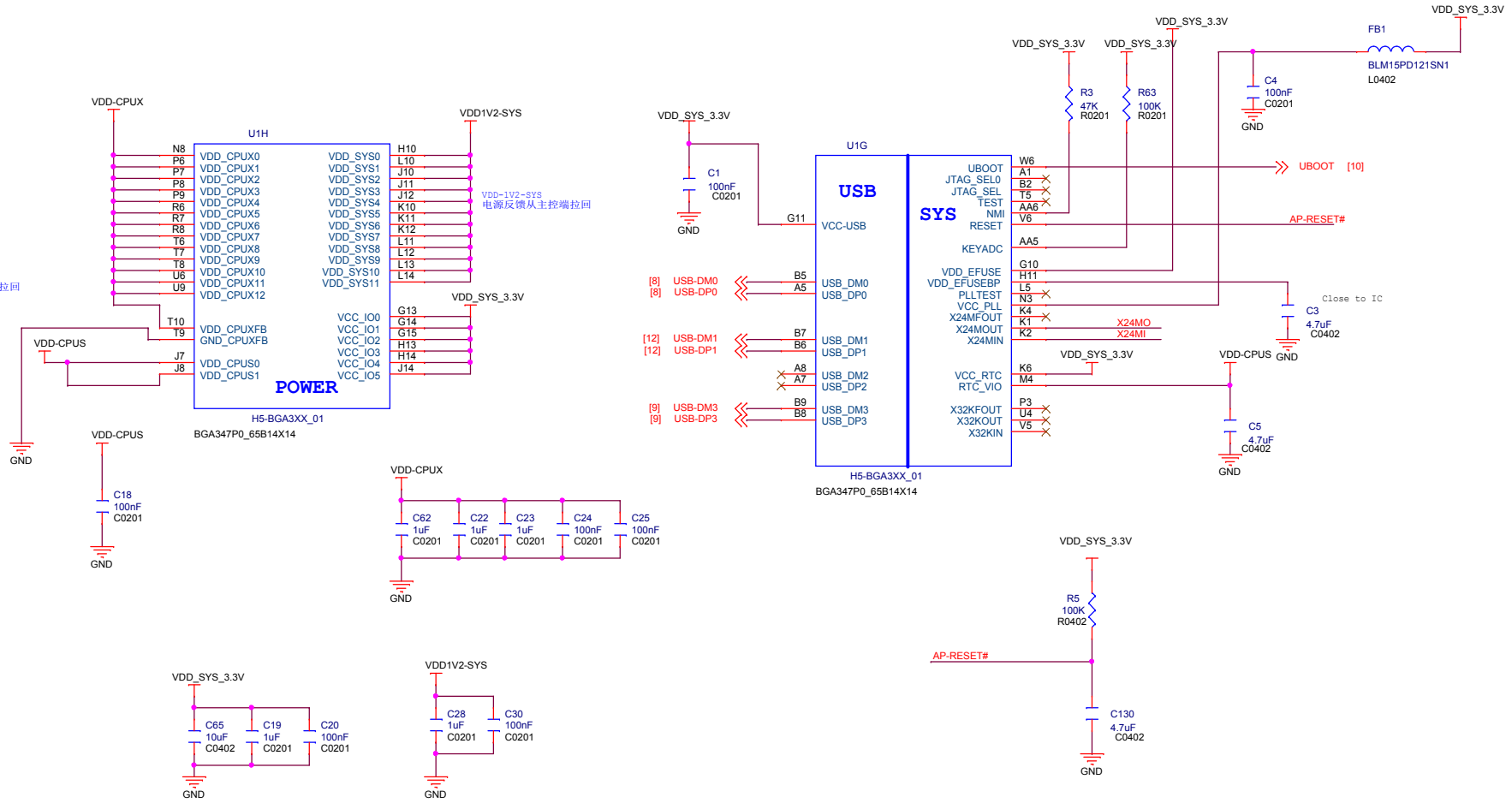
Vender ID:PC7=0; PC6=0; PC4=1

Version:
V1.0 GPIO13=1;
V1.1 GPIO13=0;

[5] GPIO13/K1

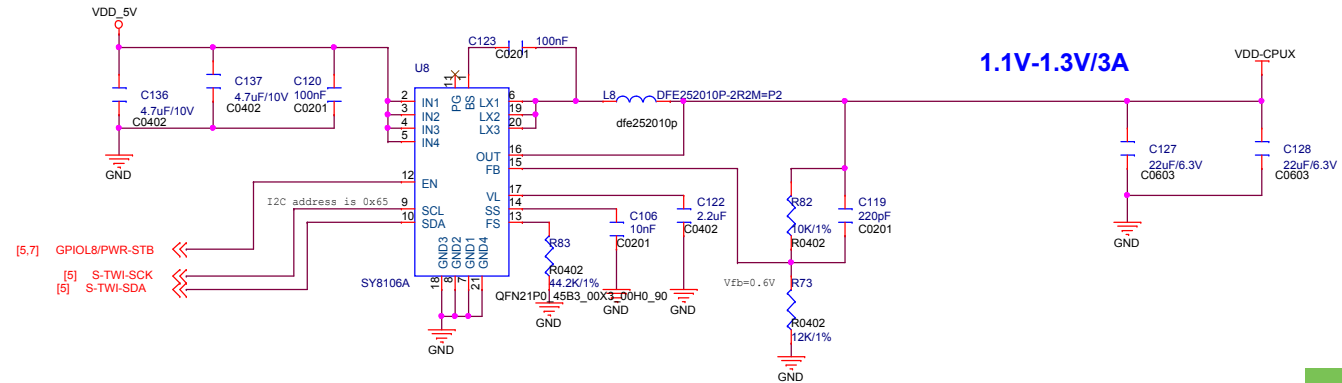
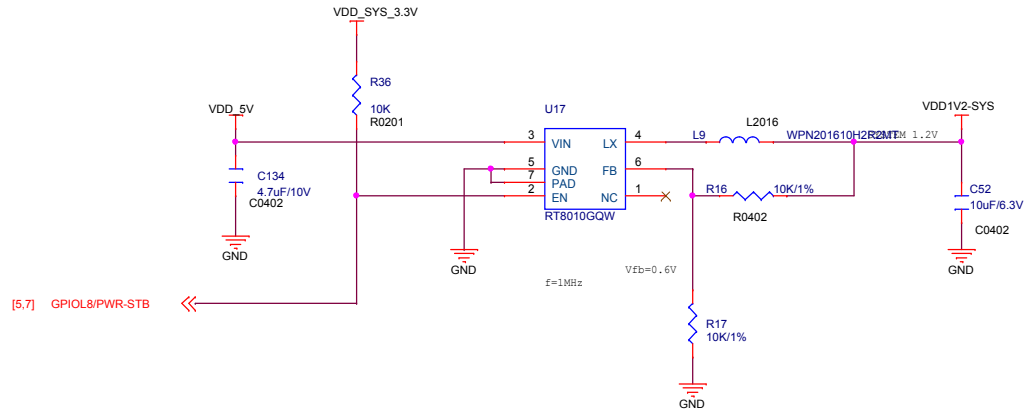
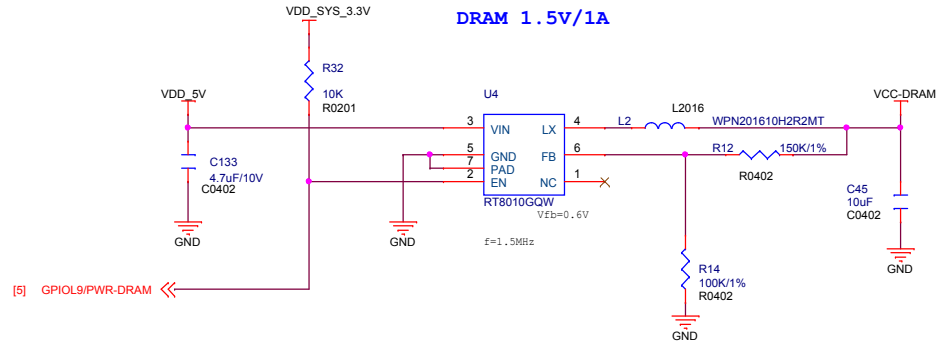
CPU 02

CPUX 电源反馈从主控端拉回



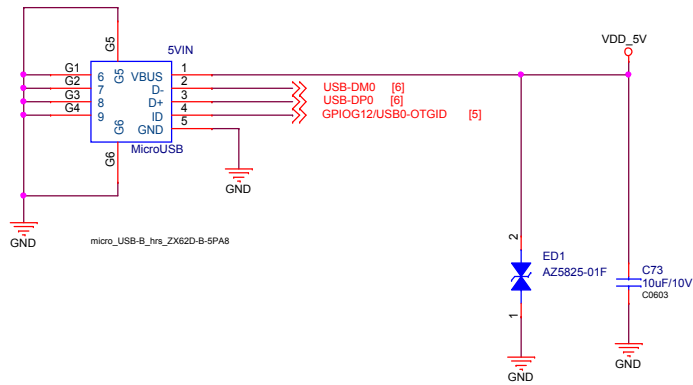
NanoPi NEO2 Black		
Size A3	Document Number 06:CPU-H5-02	Rev 1907
Date: Tuesday, October 08, 2019	Sheet 6	of 12

POWER 01

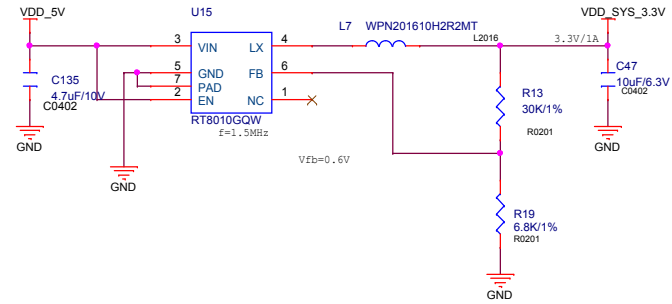


NanoPi NEO2 Black		
Size A3	Document Number 07:Power-01	Rev 1907
Date: Tuesday, October 08, 2019	Sheet 7 of 12	

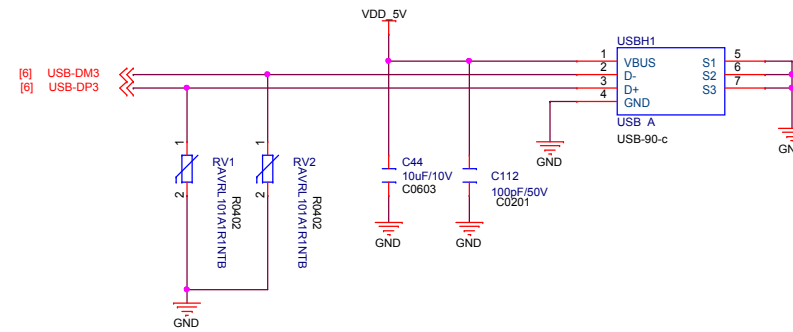
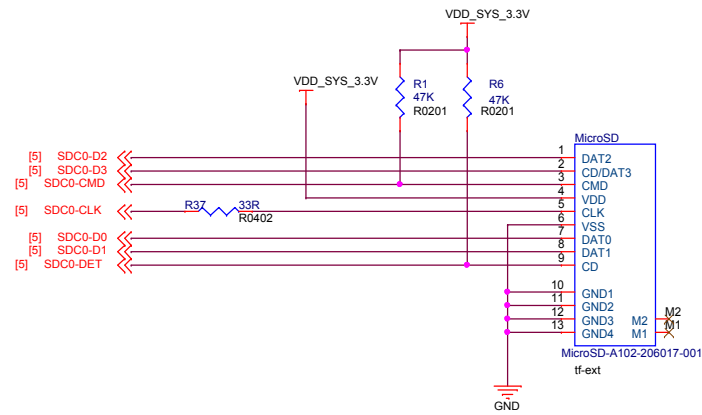
POWER 02



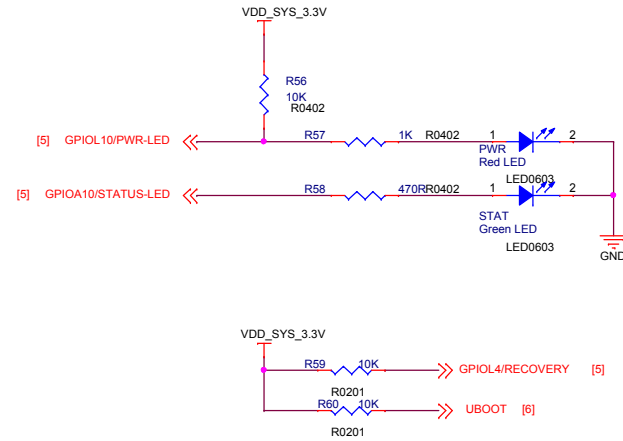
VCC-IO 3.3V/1A



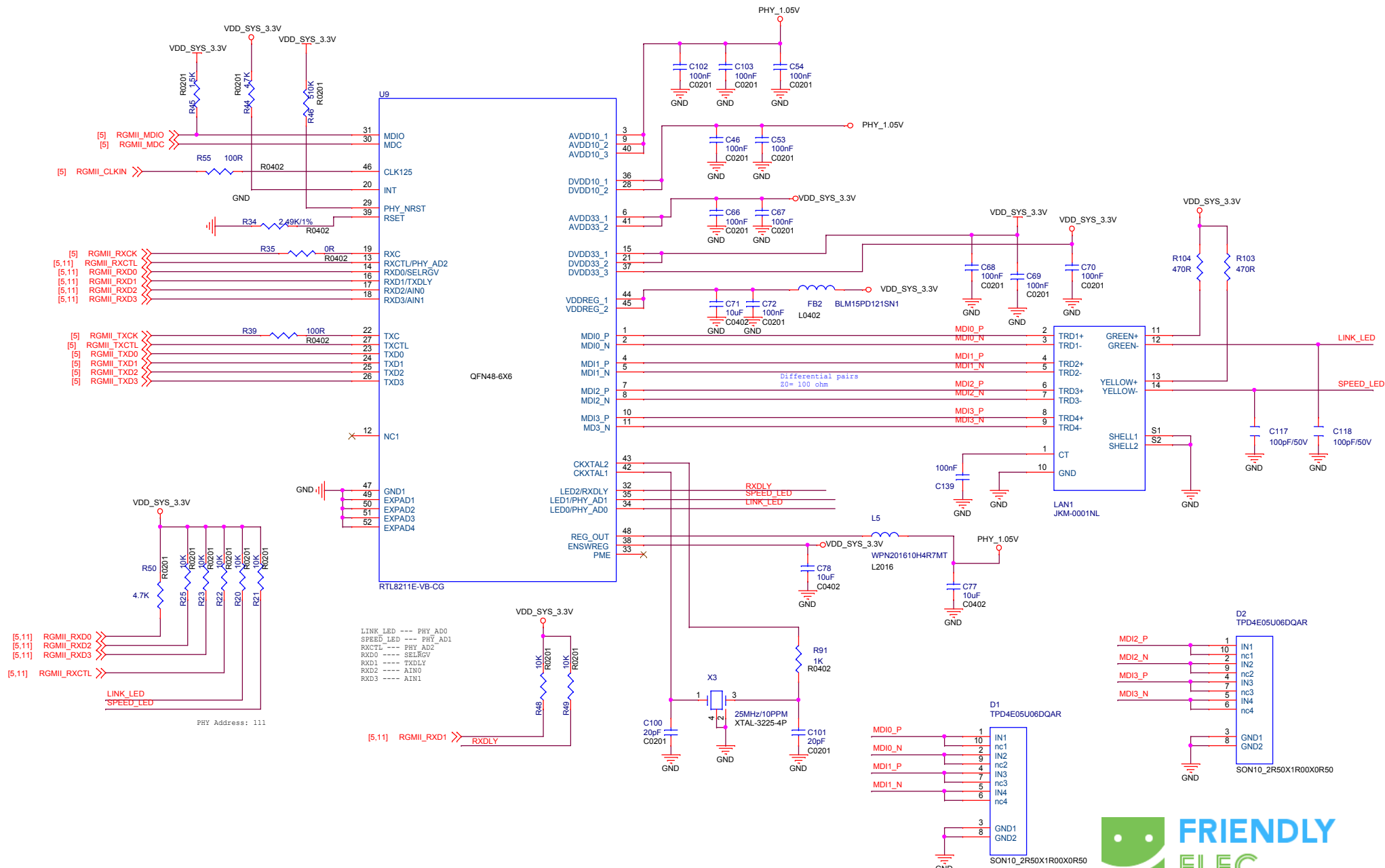
TF Card,USB Host

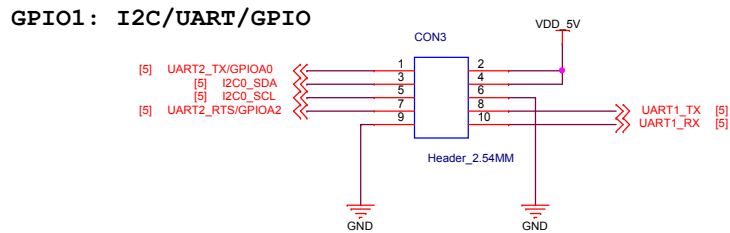
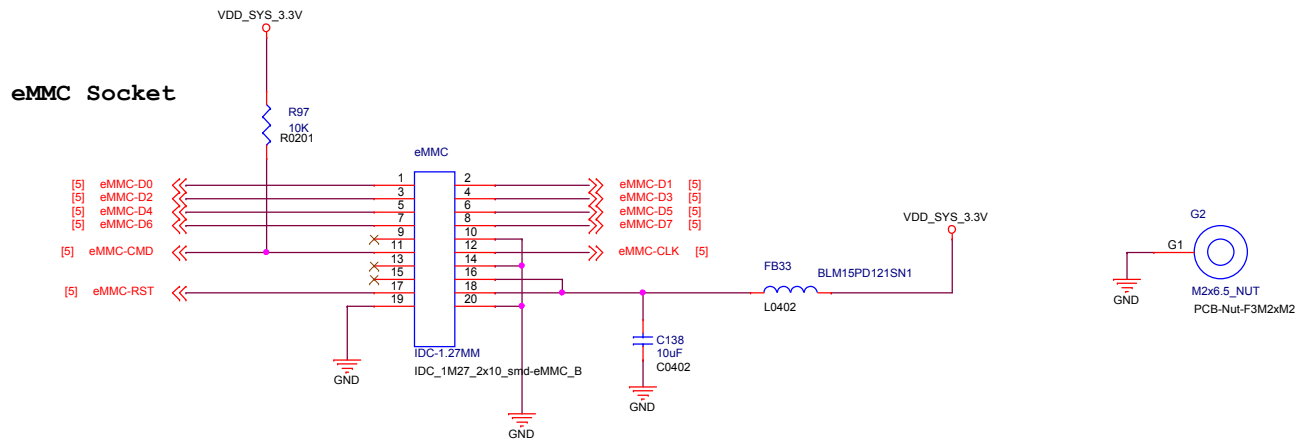


GPIO, DBG_UART, Audio, LEDs

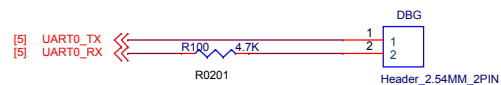


10/100/1000M Ethernet





Debug UART



GPIO2: USB/Audio OUT

