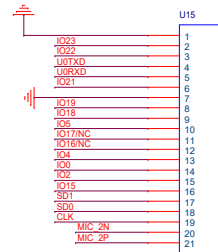
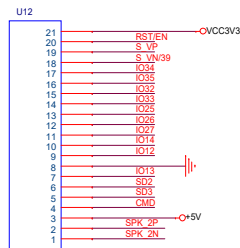
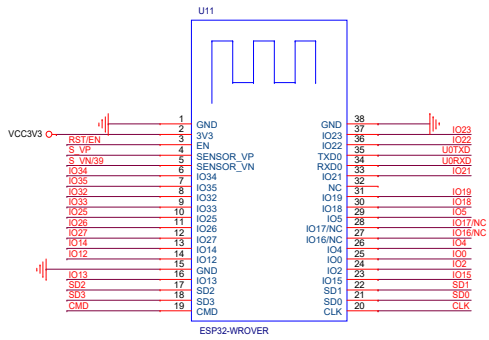


|       |                        |       |        |       |
|-------|------------------------|-------|--------|-------|
| Title | <Title>                |       | Rev    | <Rev> |
| Size  | Document Number        |       |        | <Doc> |
| Date  | Tuesday, June 11, 2019 | Sheet | 1 of 1 |       |



21PIN\_2.54

