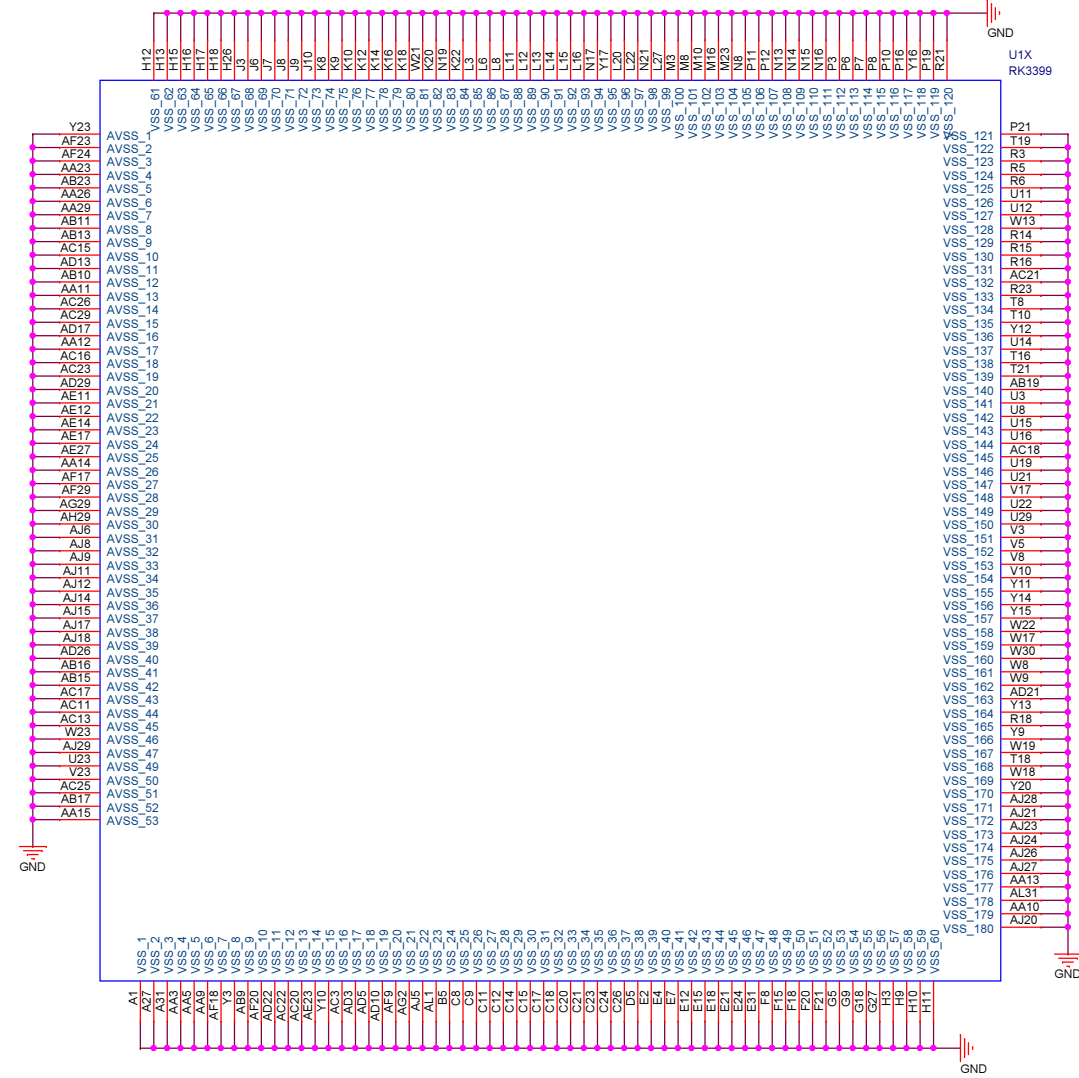
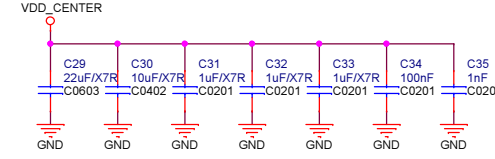
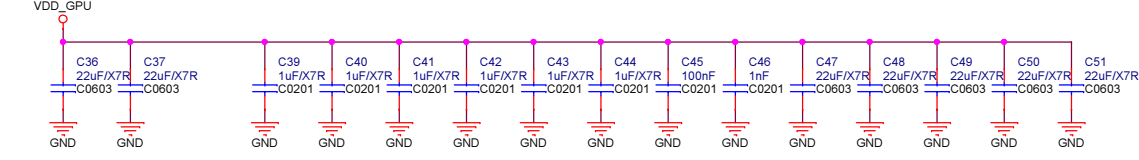
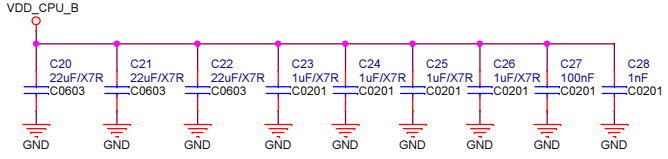
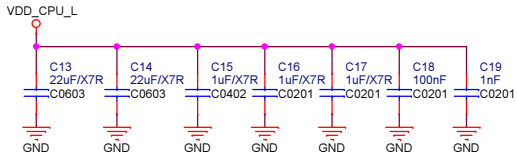
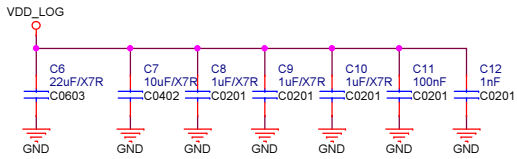
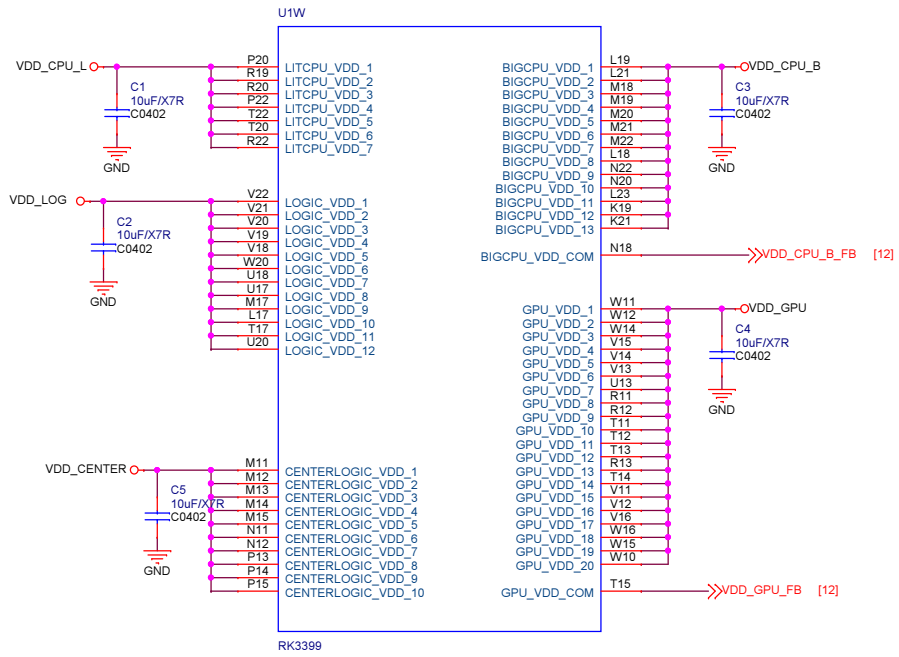
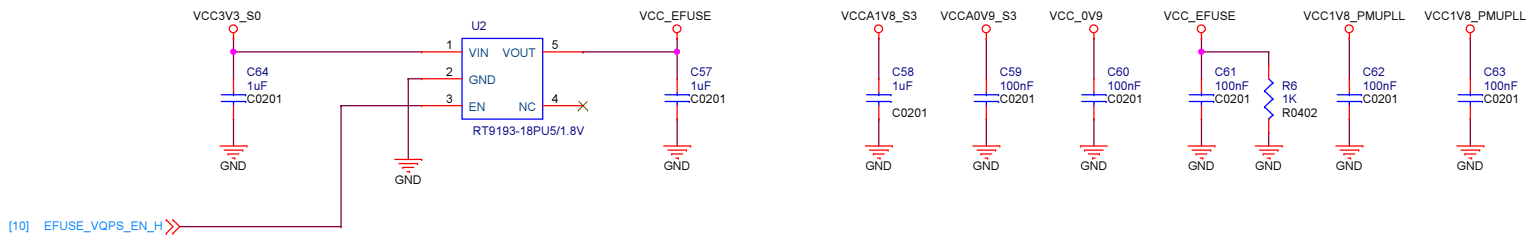
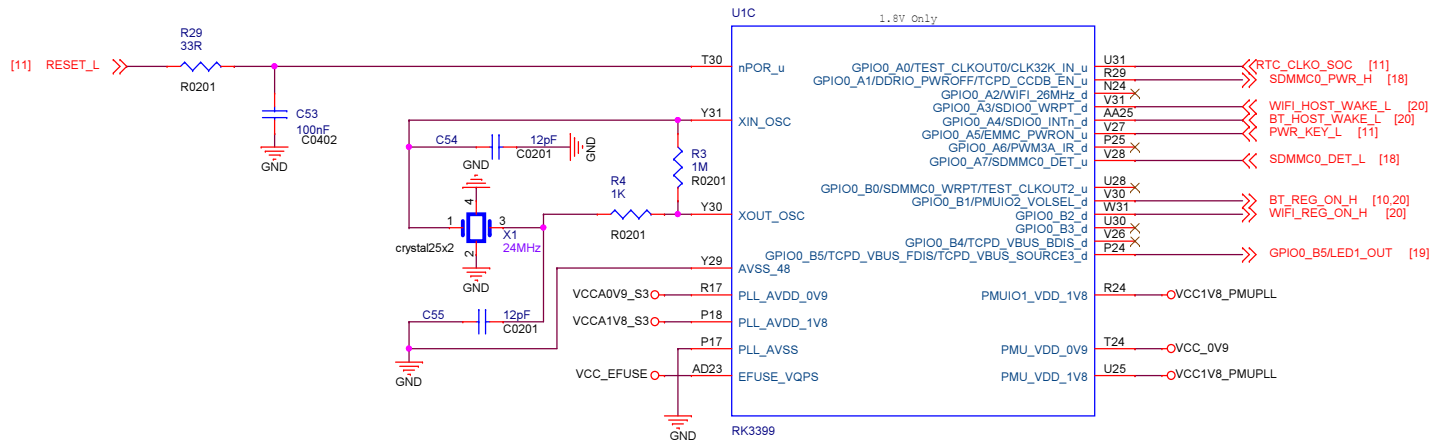


NanoPi NEO4

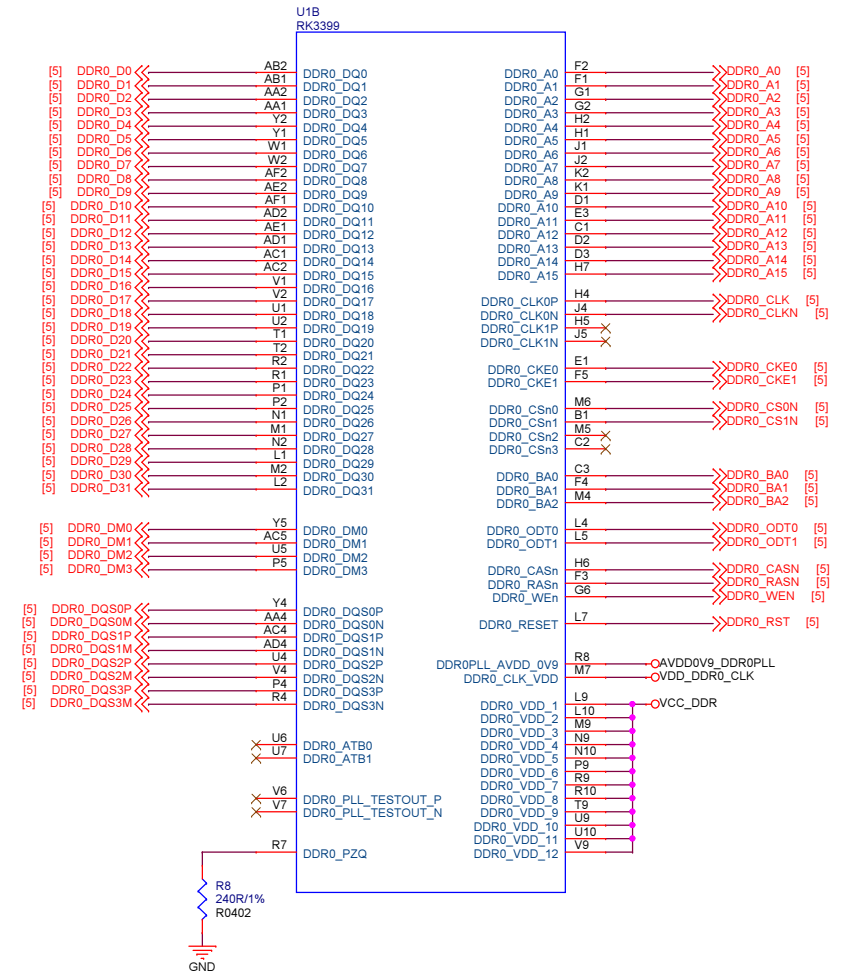
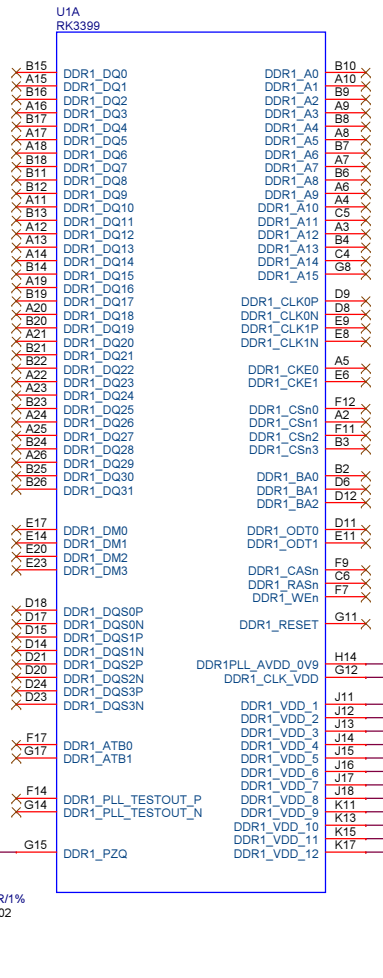


NanoPi NEO4		
Size A3	Document Number 01.Title	Rev 1808
Date:	Saturday, September 22, 2018	Sheet 1 of 22

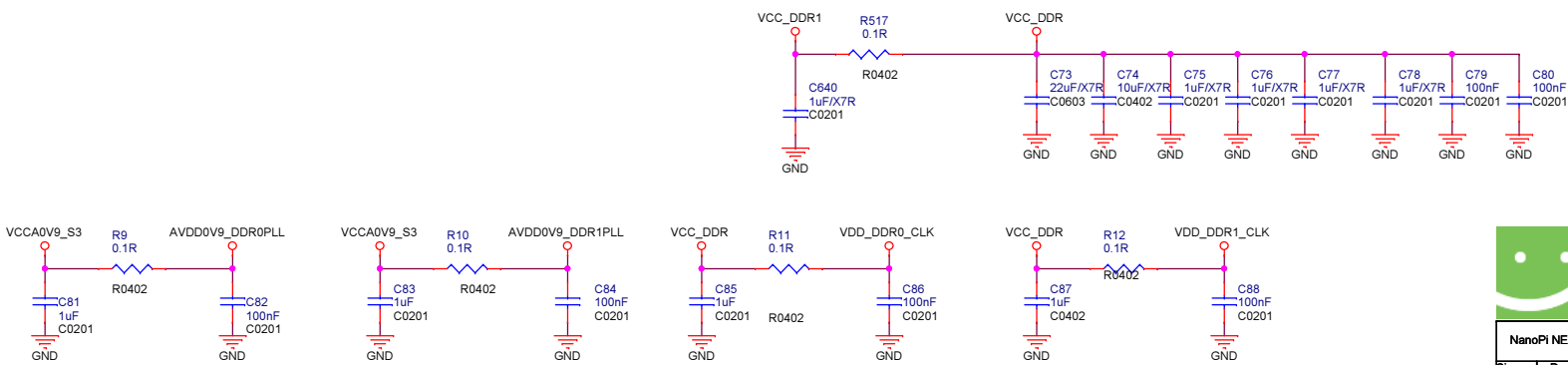


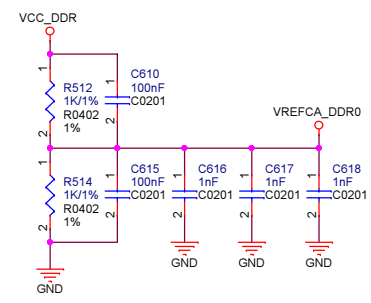
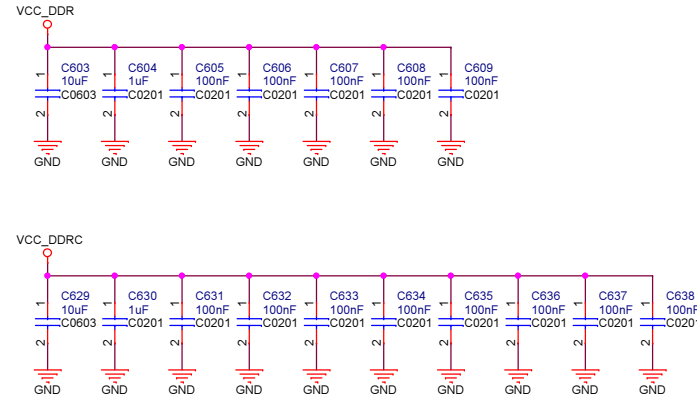
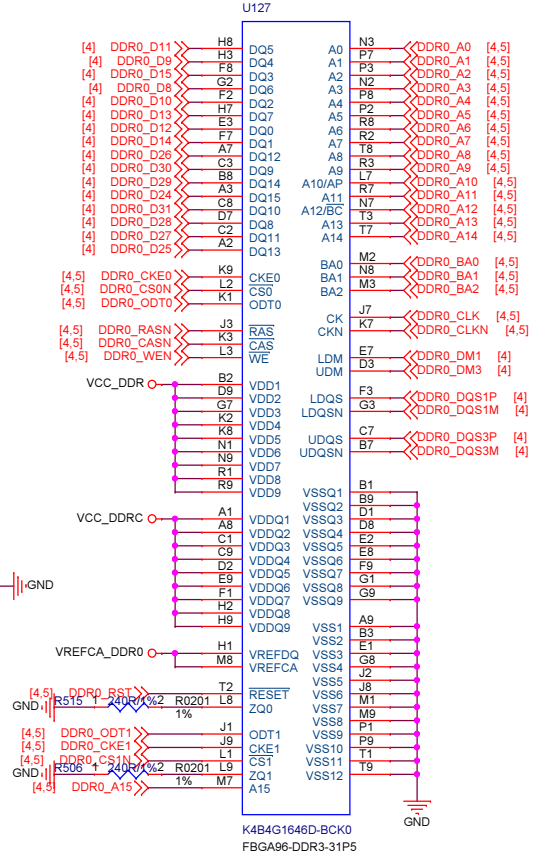
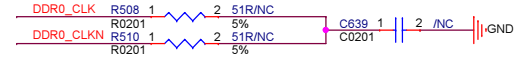
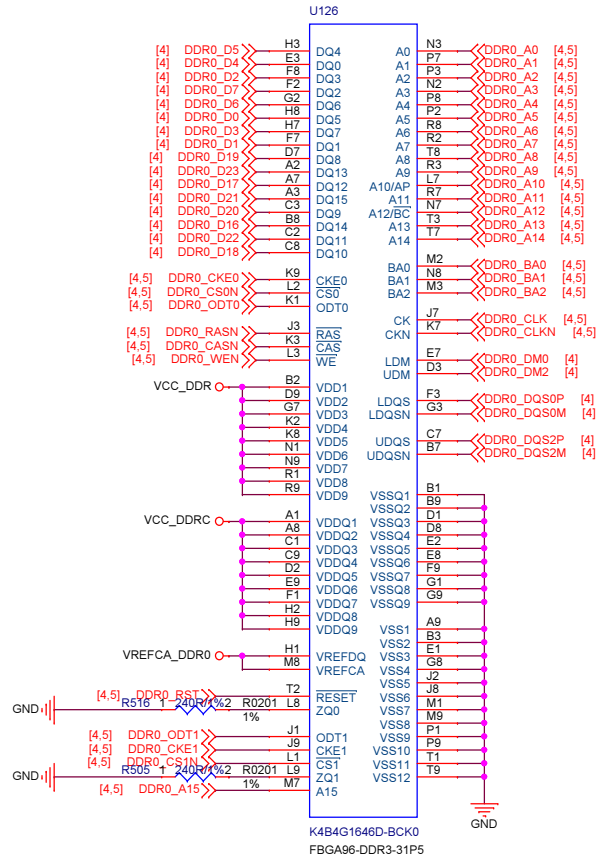


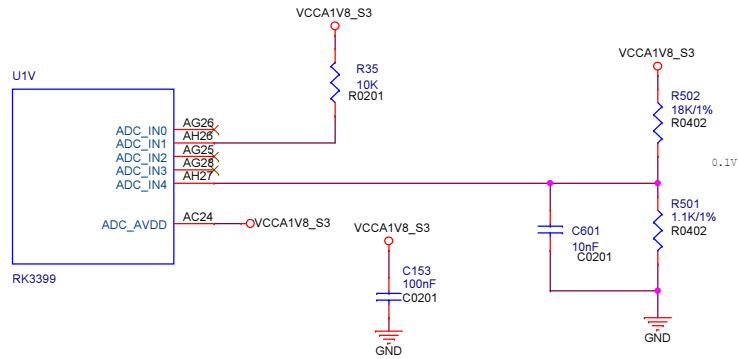
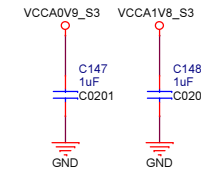
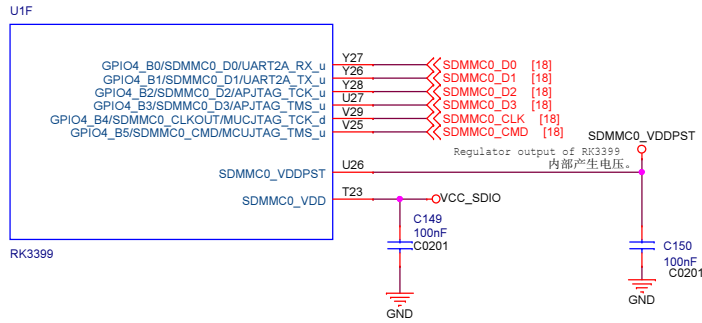
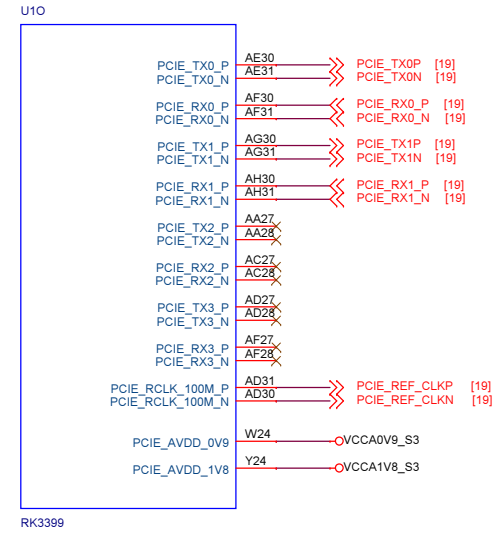
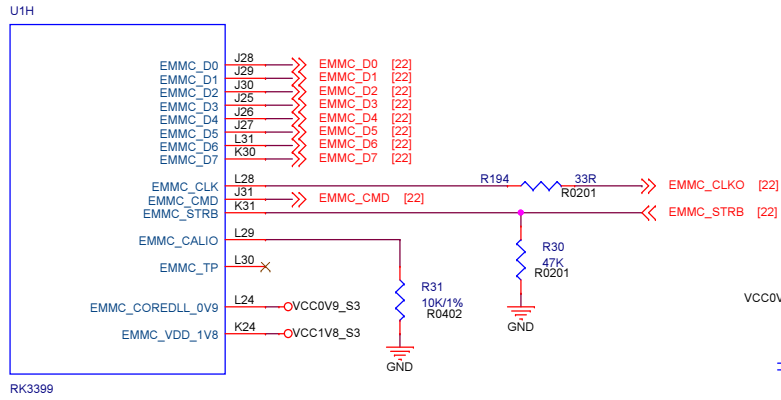
NanoPi NEO4		
Size A3	Document Number 03.RK3399 PMU Controller	Rev 1808
Date: Saturday, September 22, 2018	Sheet 3 of 22	

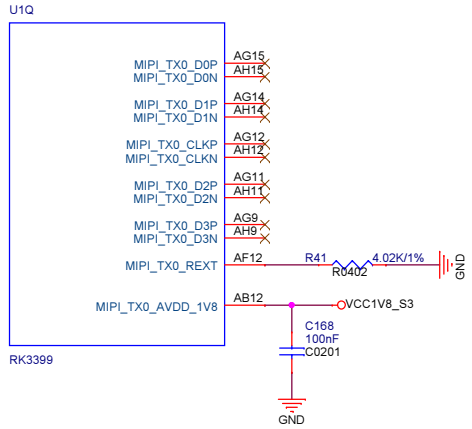
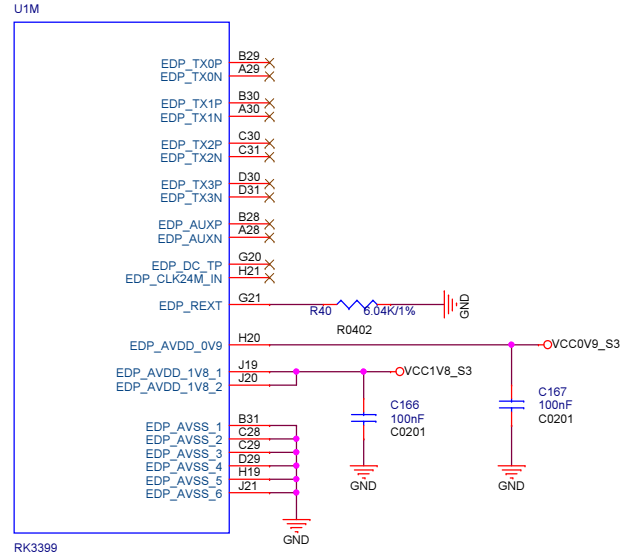
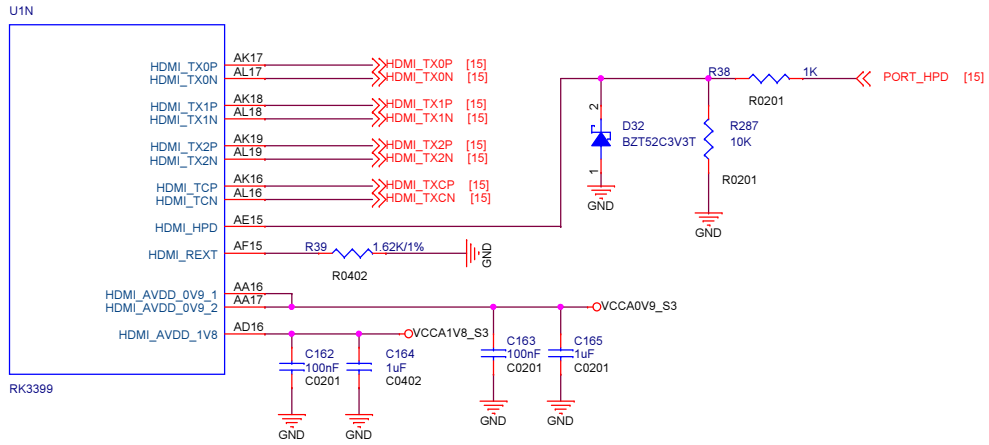


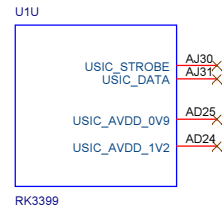
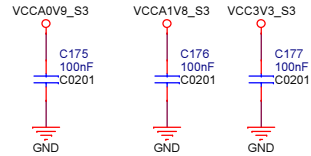
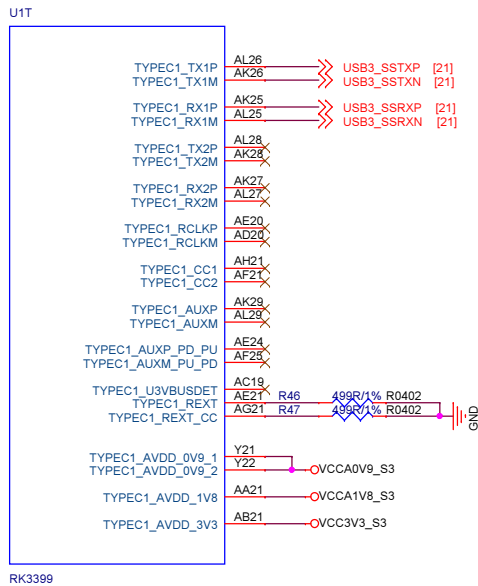
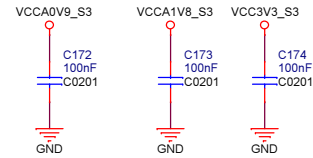
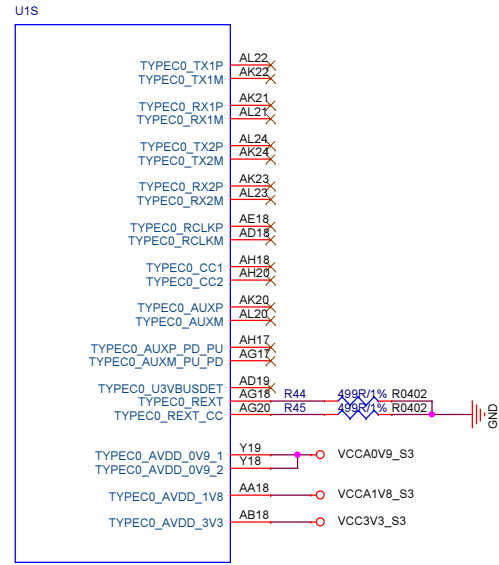
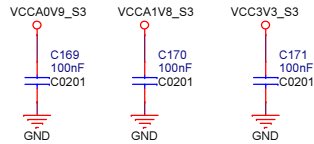
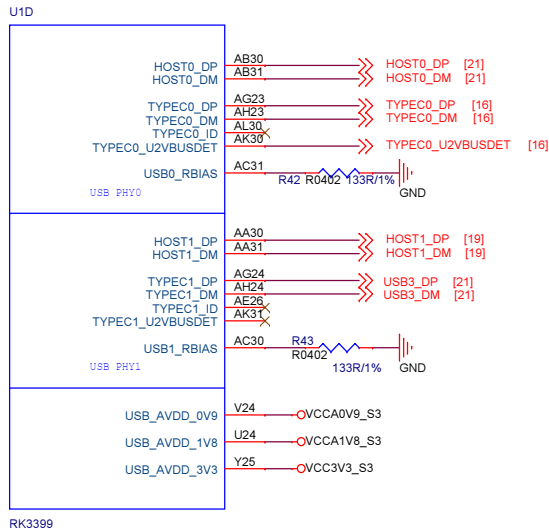
DDR FILTER

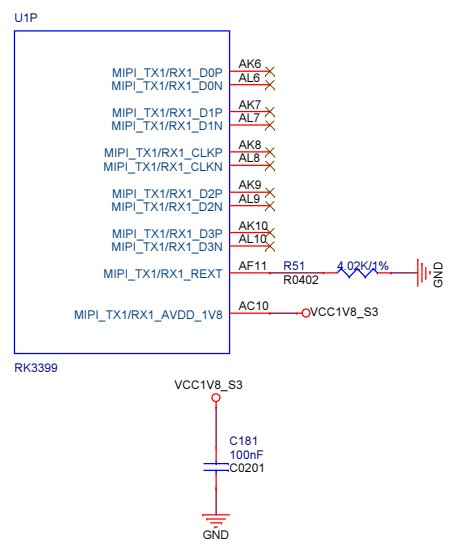
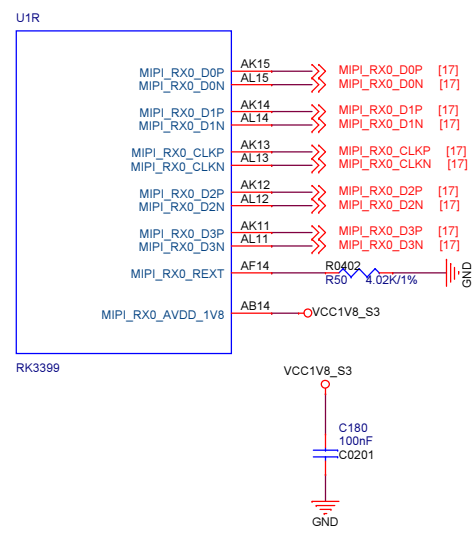
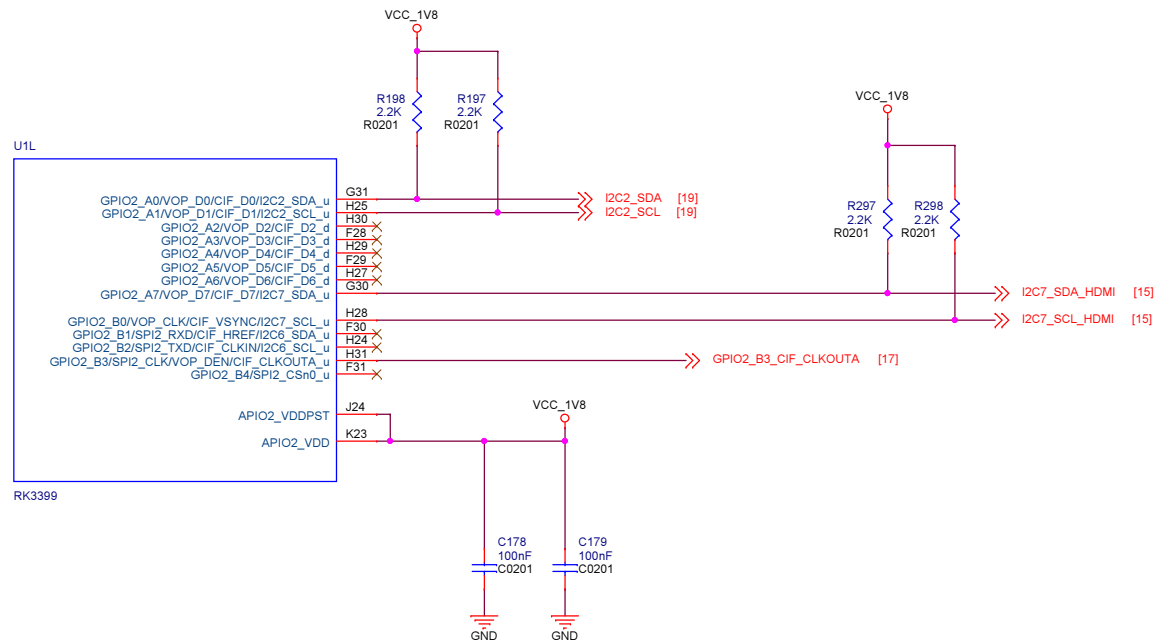


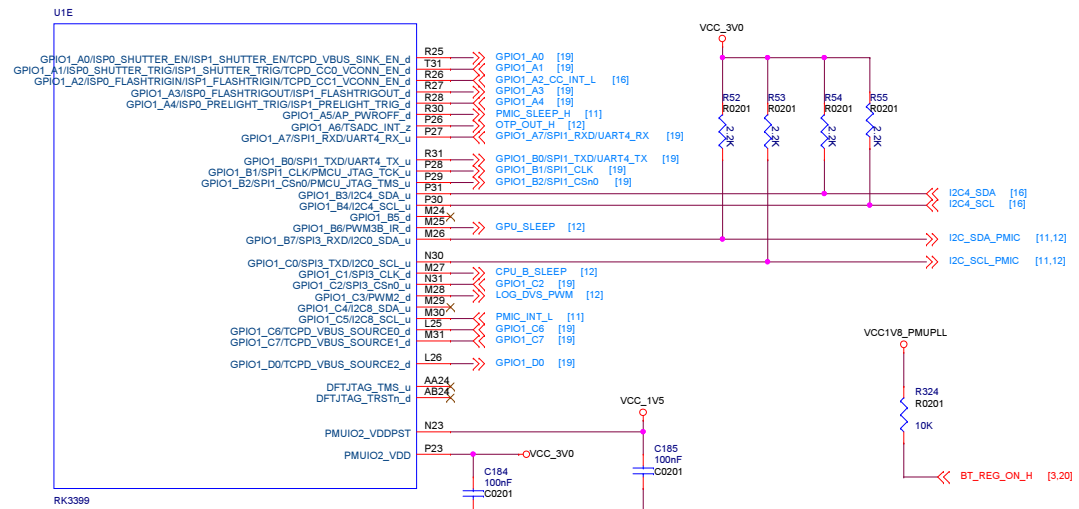
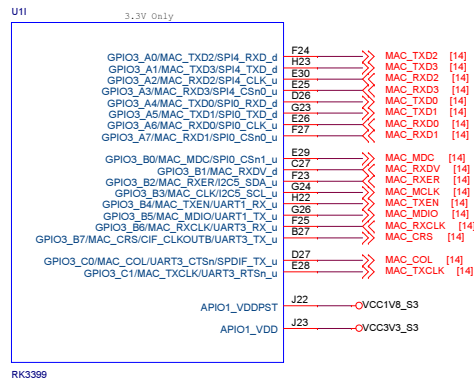




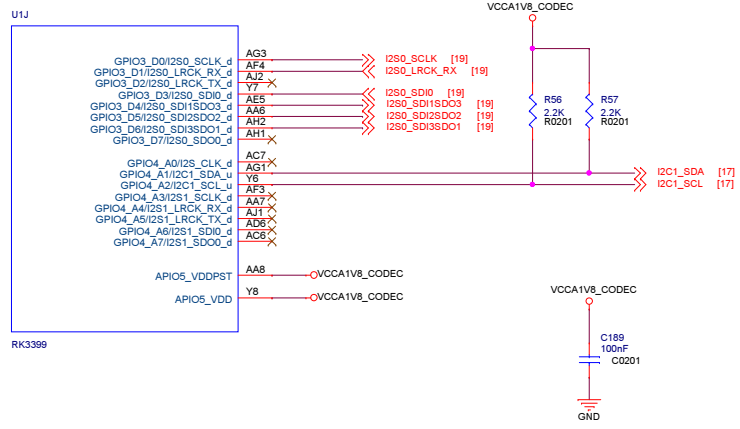
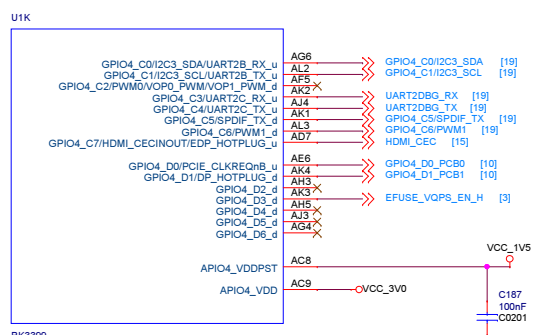
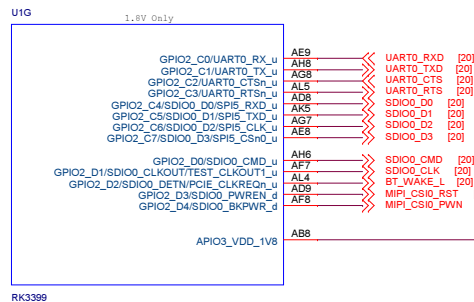


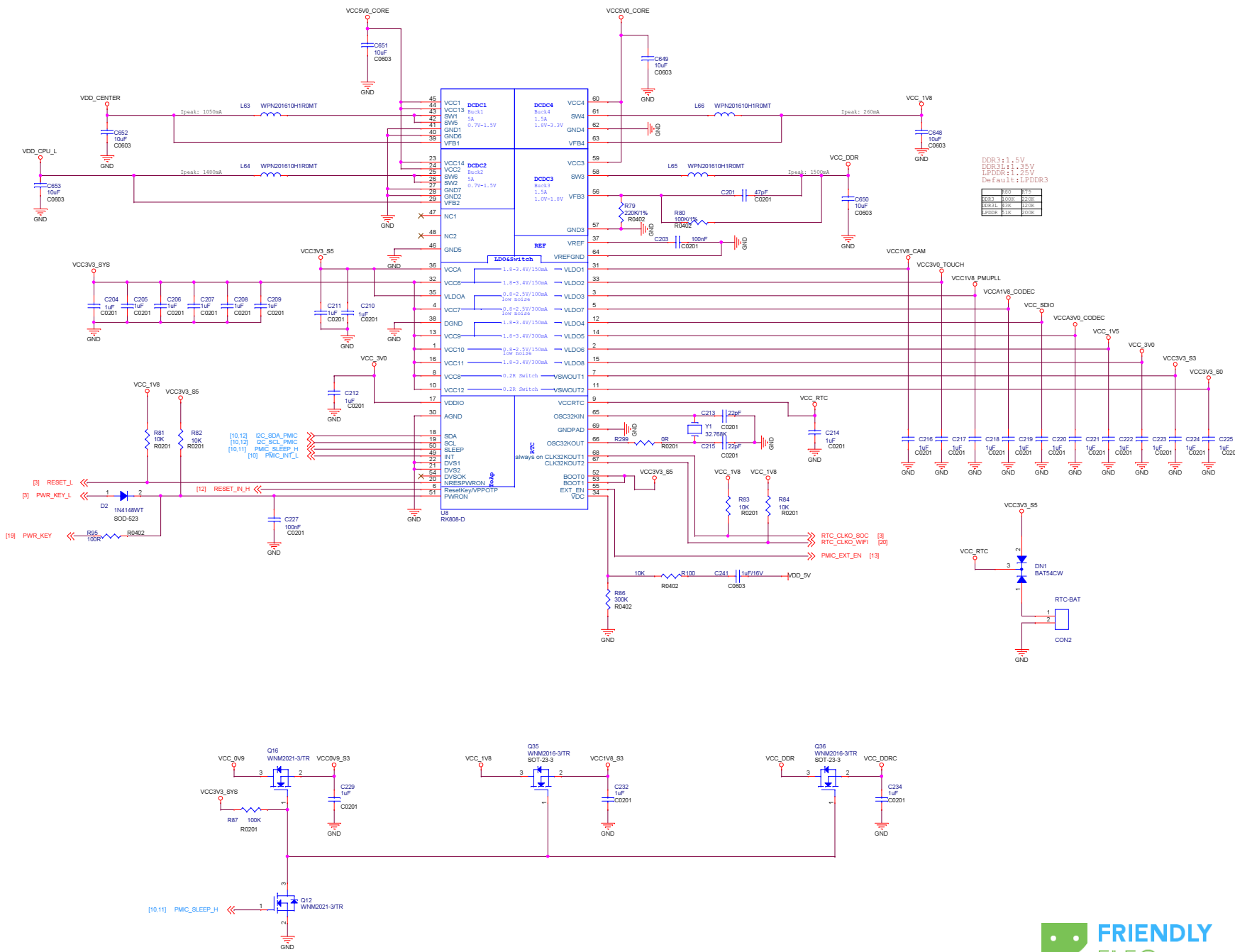






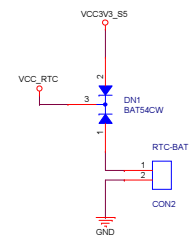
1.8V Only	VDDPST=VDDIO=1.8V
3.3V Only	VDDPST=1.8V, VDDIO=3.3V
other	3.0V mode: VDDPST=1.5V, VDDIO=3.0V 1.8V mode: VDDPST=1.8V, VDDIO=1.8V

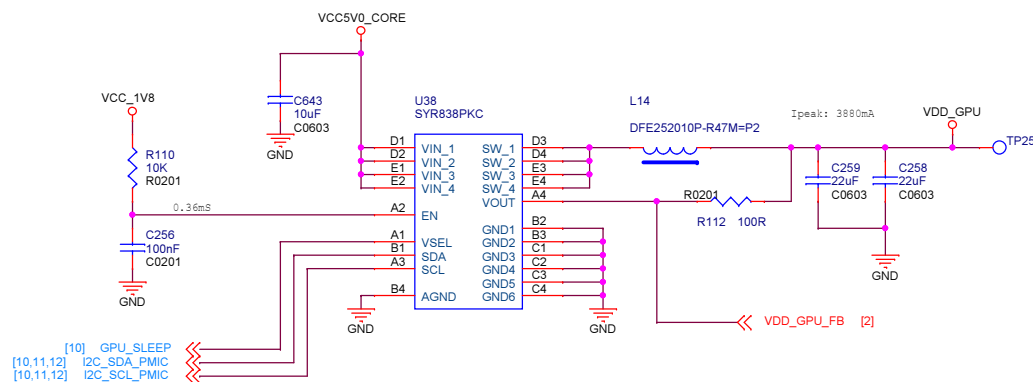




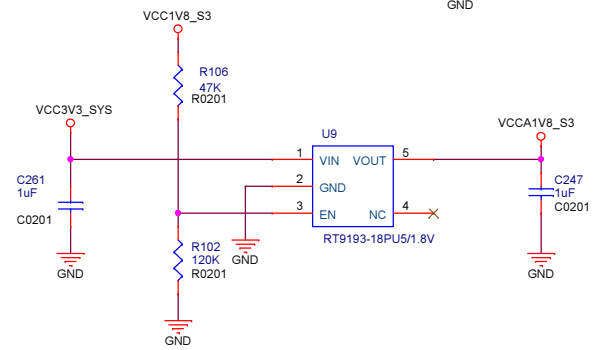
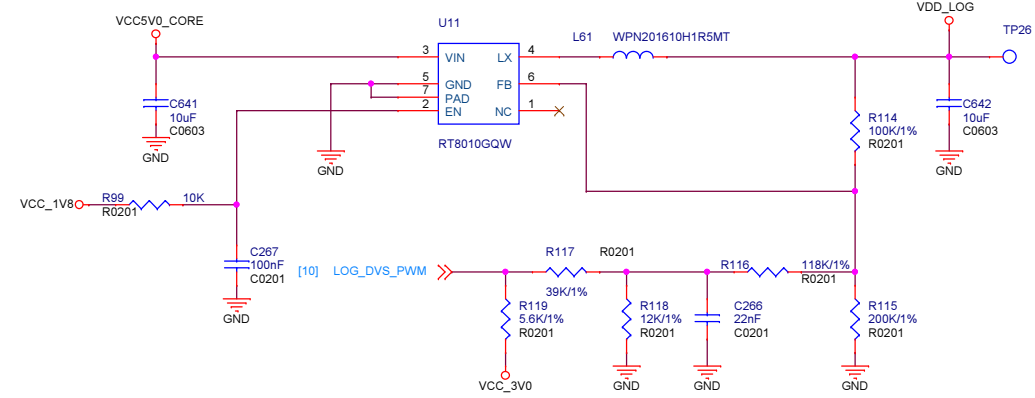
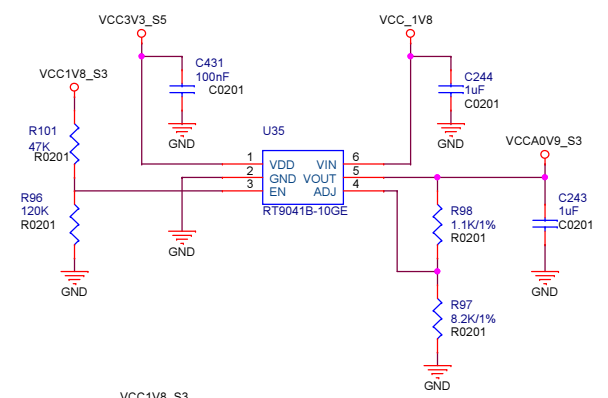
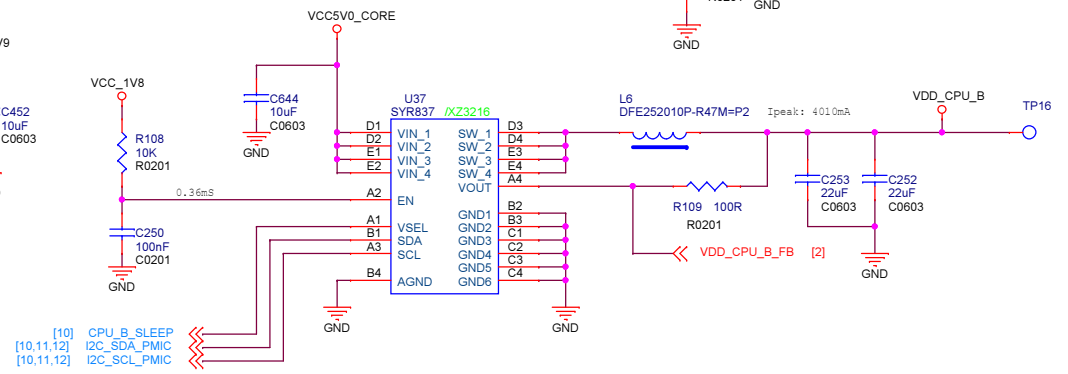
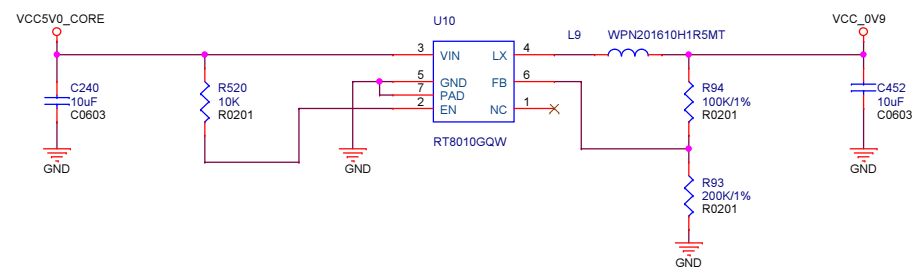
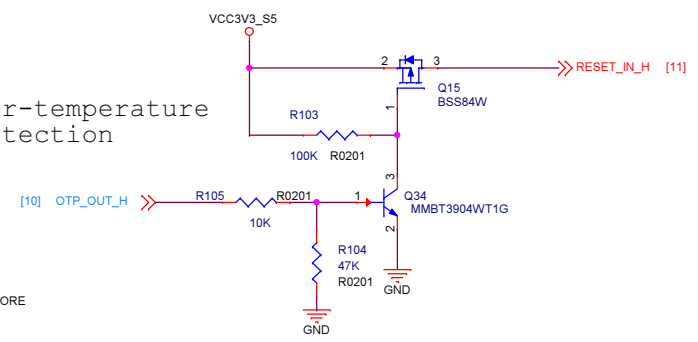
DDR3: 1.5V
 DDR3L: 1.35V
 LPDDR: 1.25V
 DR: 1.1V, 1.5V, 1.8V, 2.5V

Part	Value	Footprint
DDR3	100K	220K
DDR3L	10K	220K
DR	10K	220K

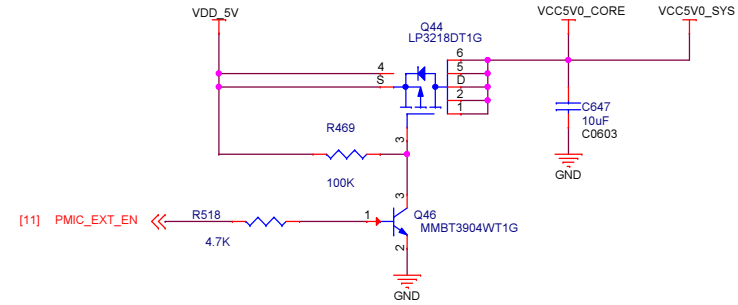
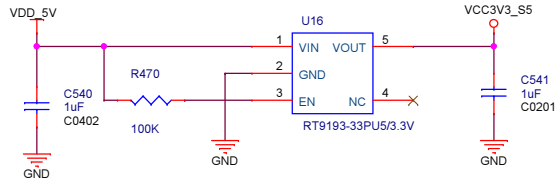
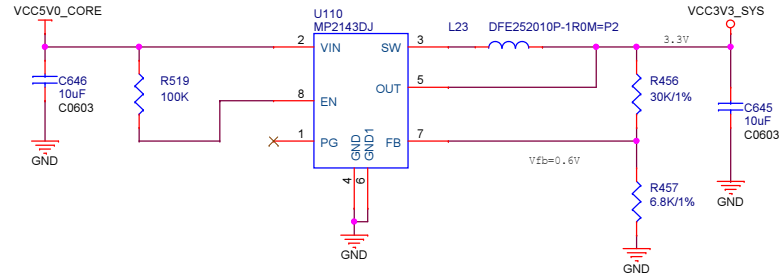
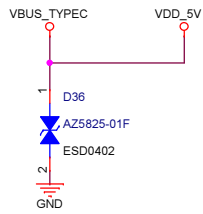




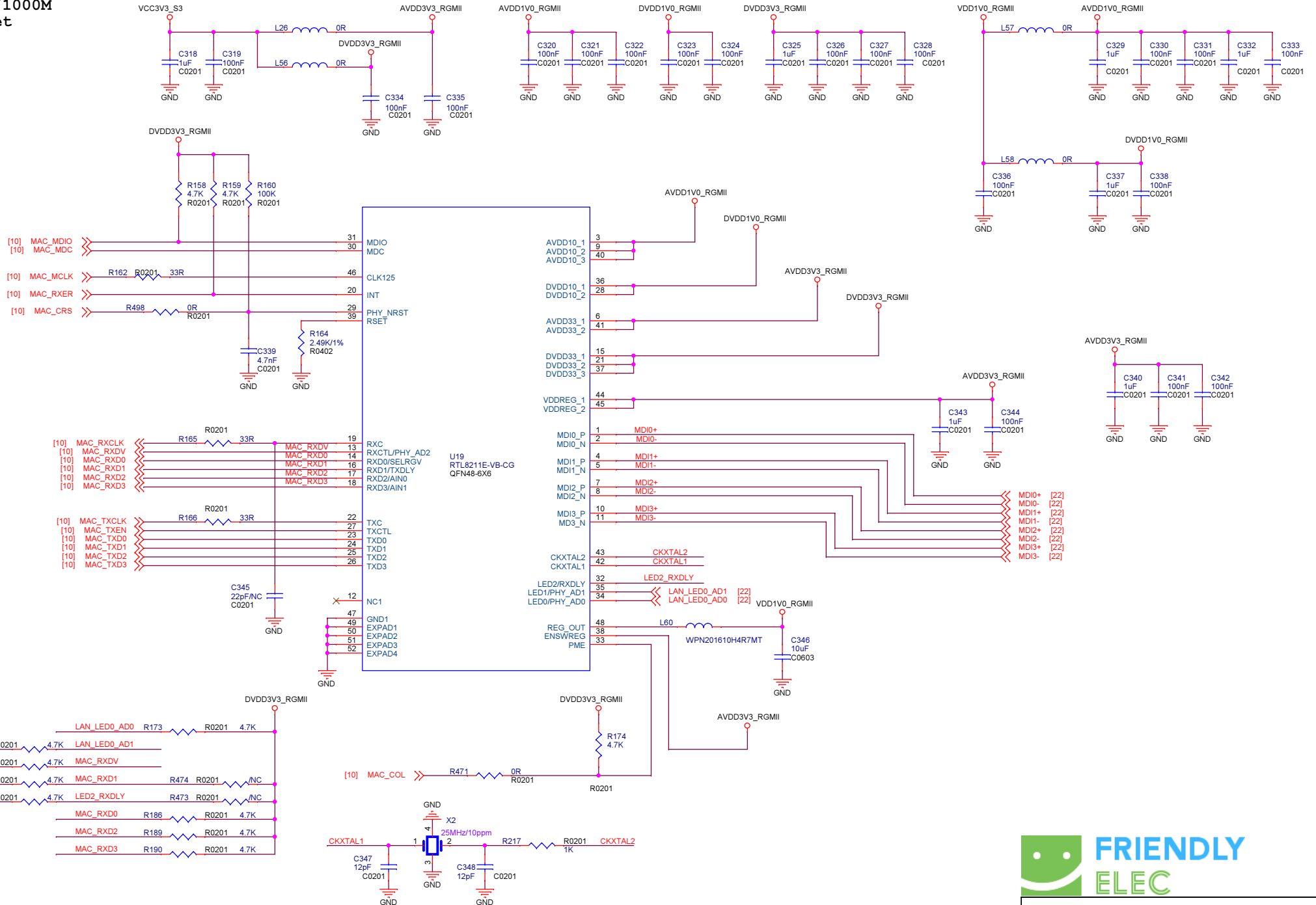
Over-temperature Protection



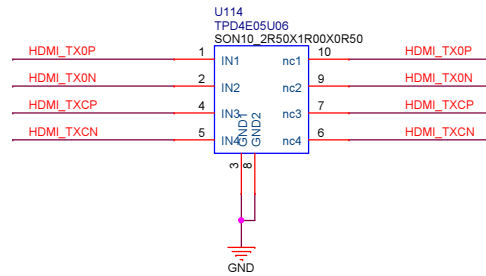
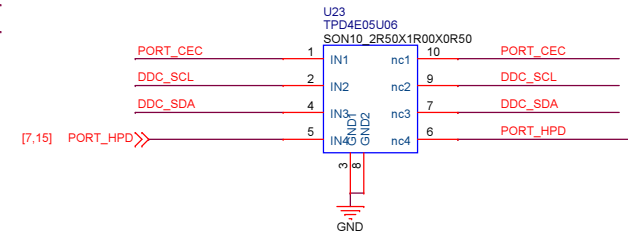
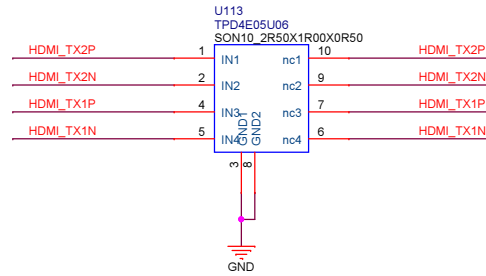
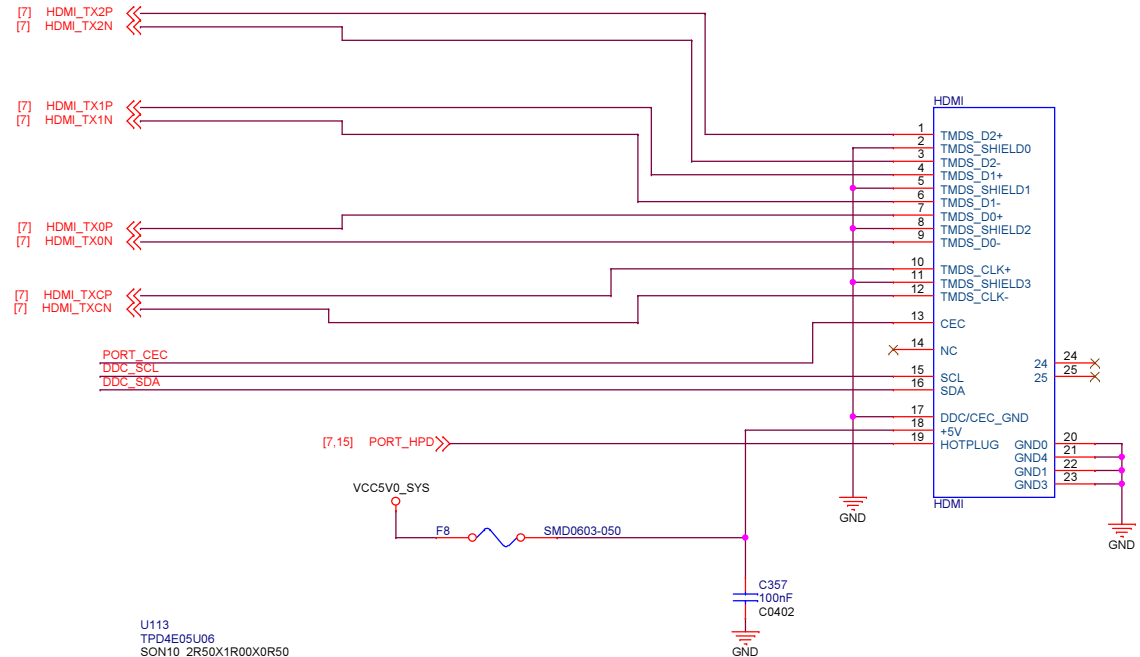
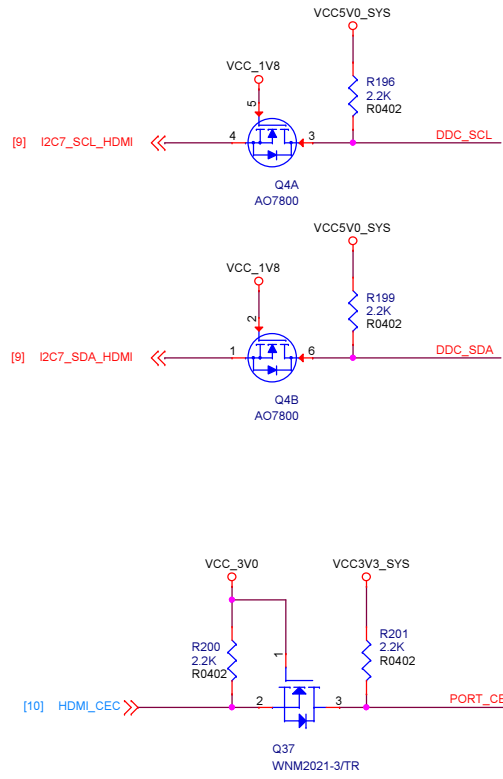
NanoPi NEO4		
Size A3	Document Number 12.Power2-CPU/GPU/etc	Rev 1808
Date: Saturday, September 22, 2018	Sheet 12 of 22	



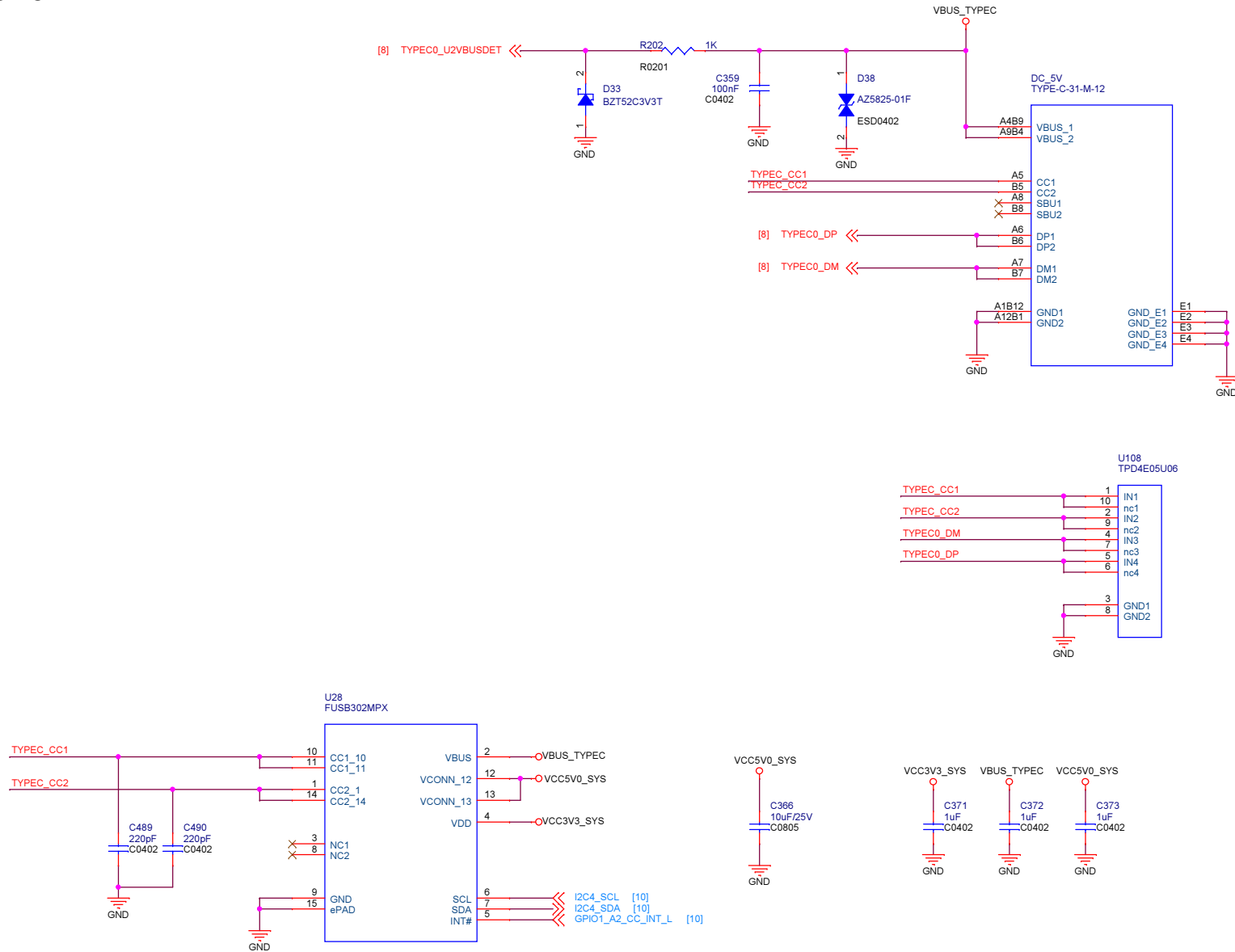
10/100/1000M Ethernet



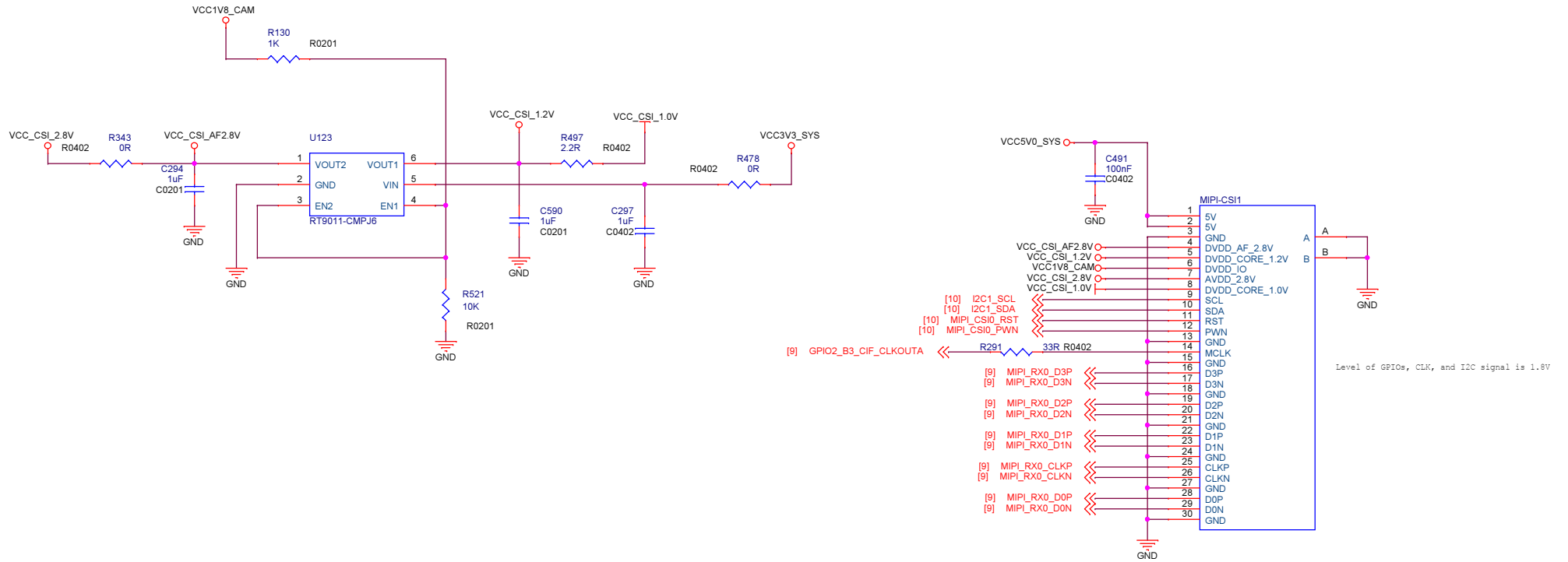
HDMI Port

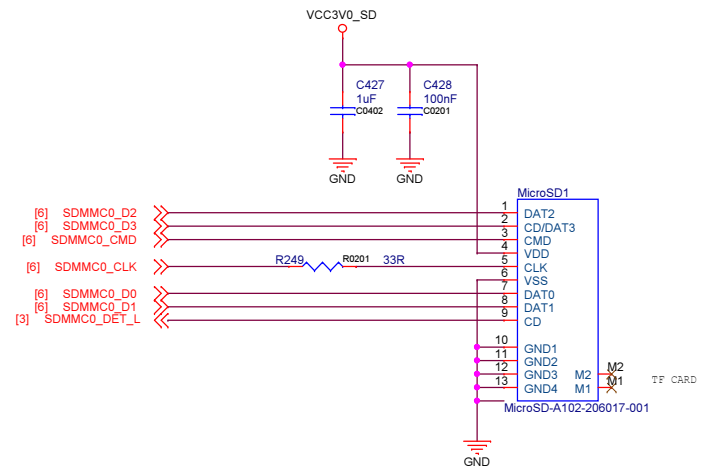
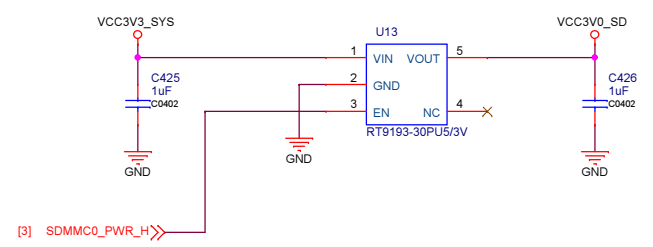


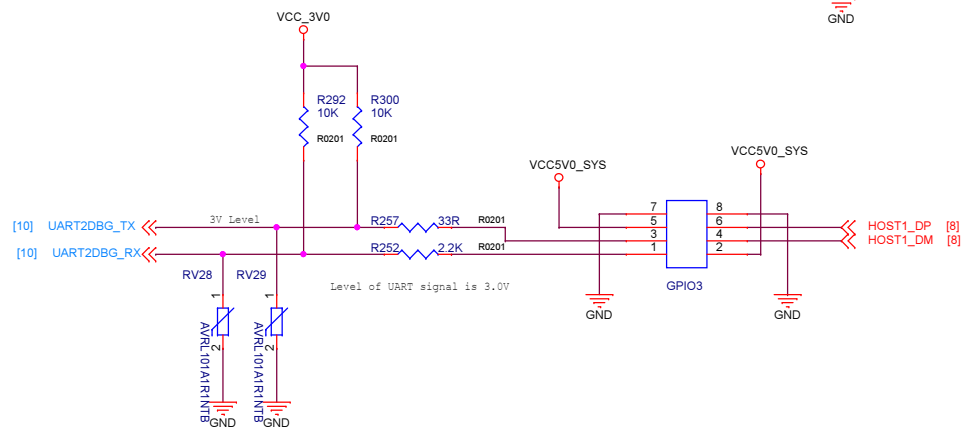
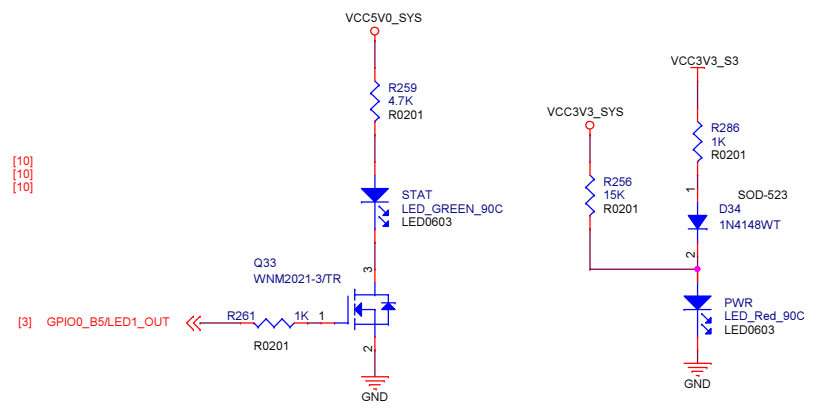
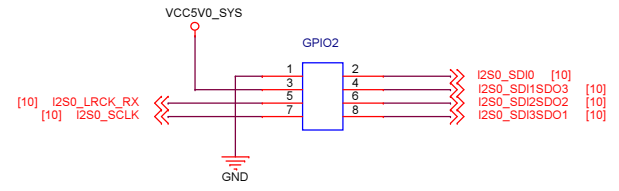
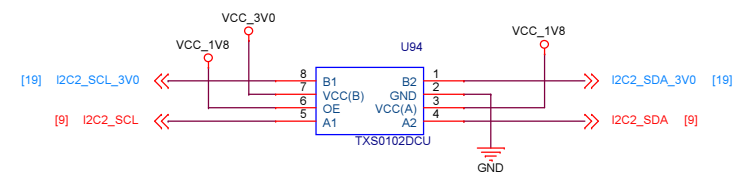
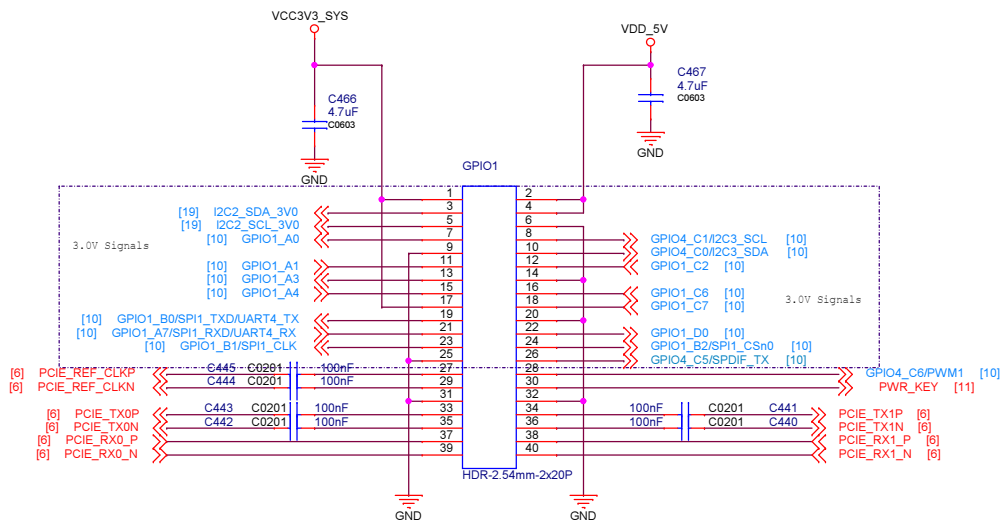
USB Type-C



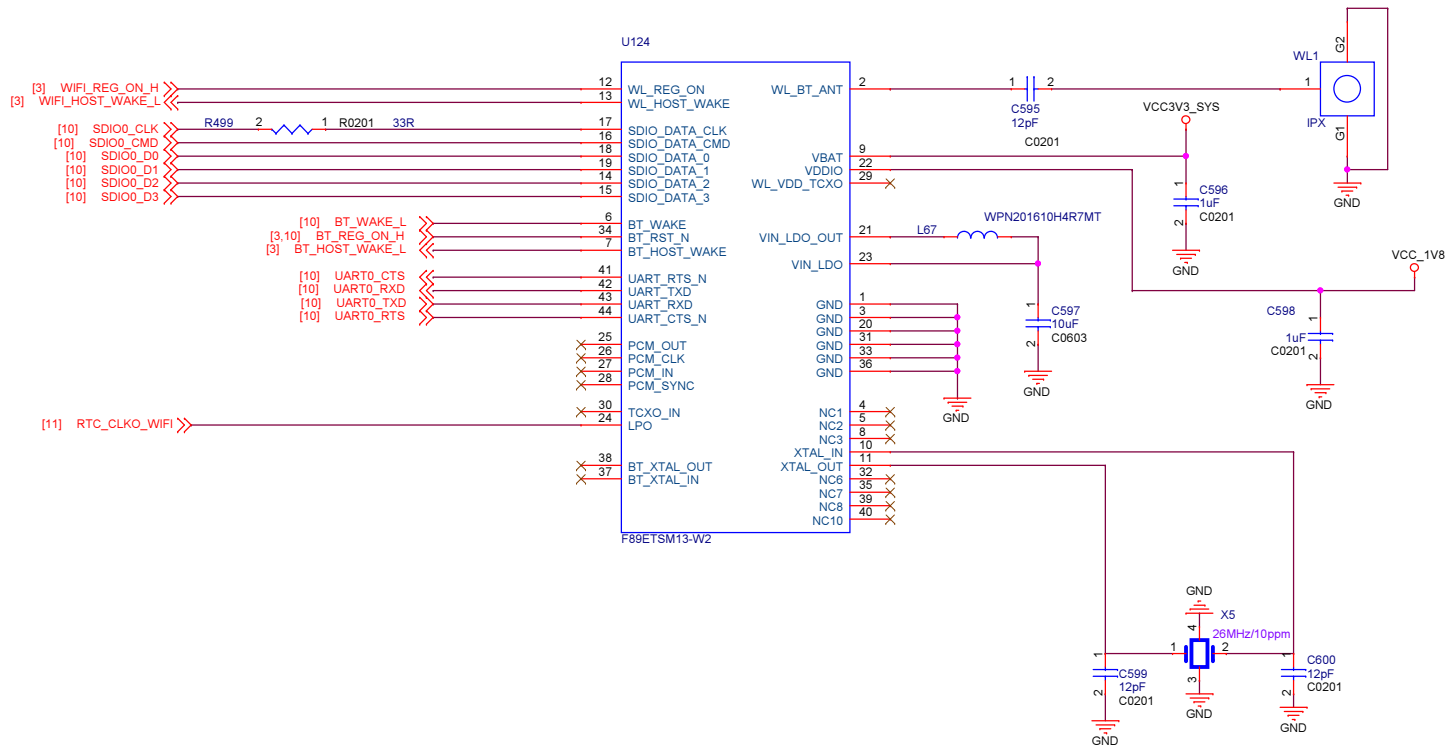
MIPI-CSI/DSI







Wi-Fi



USB3.0 Host

