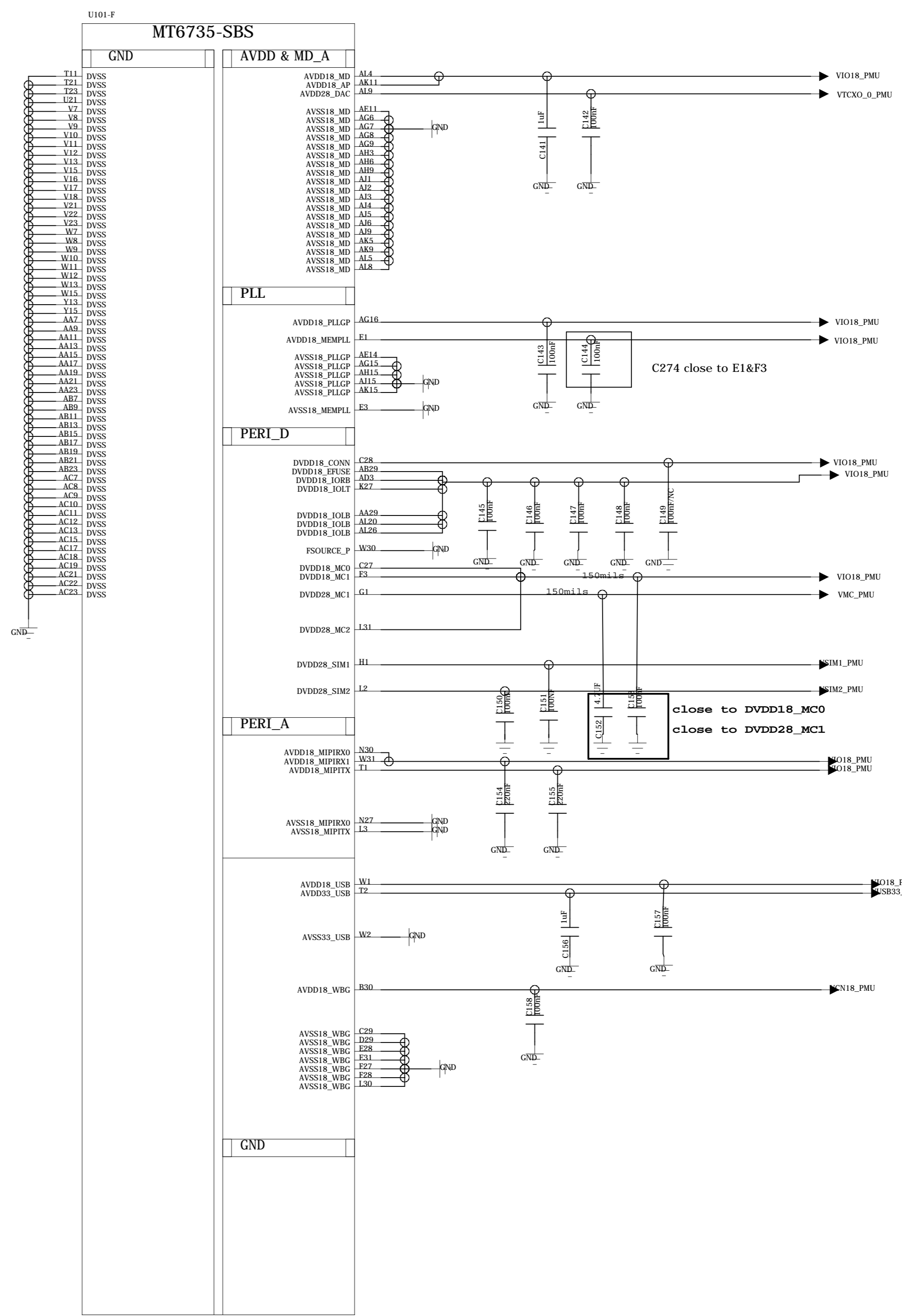
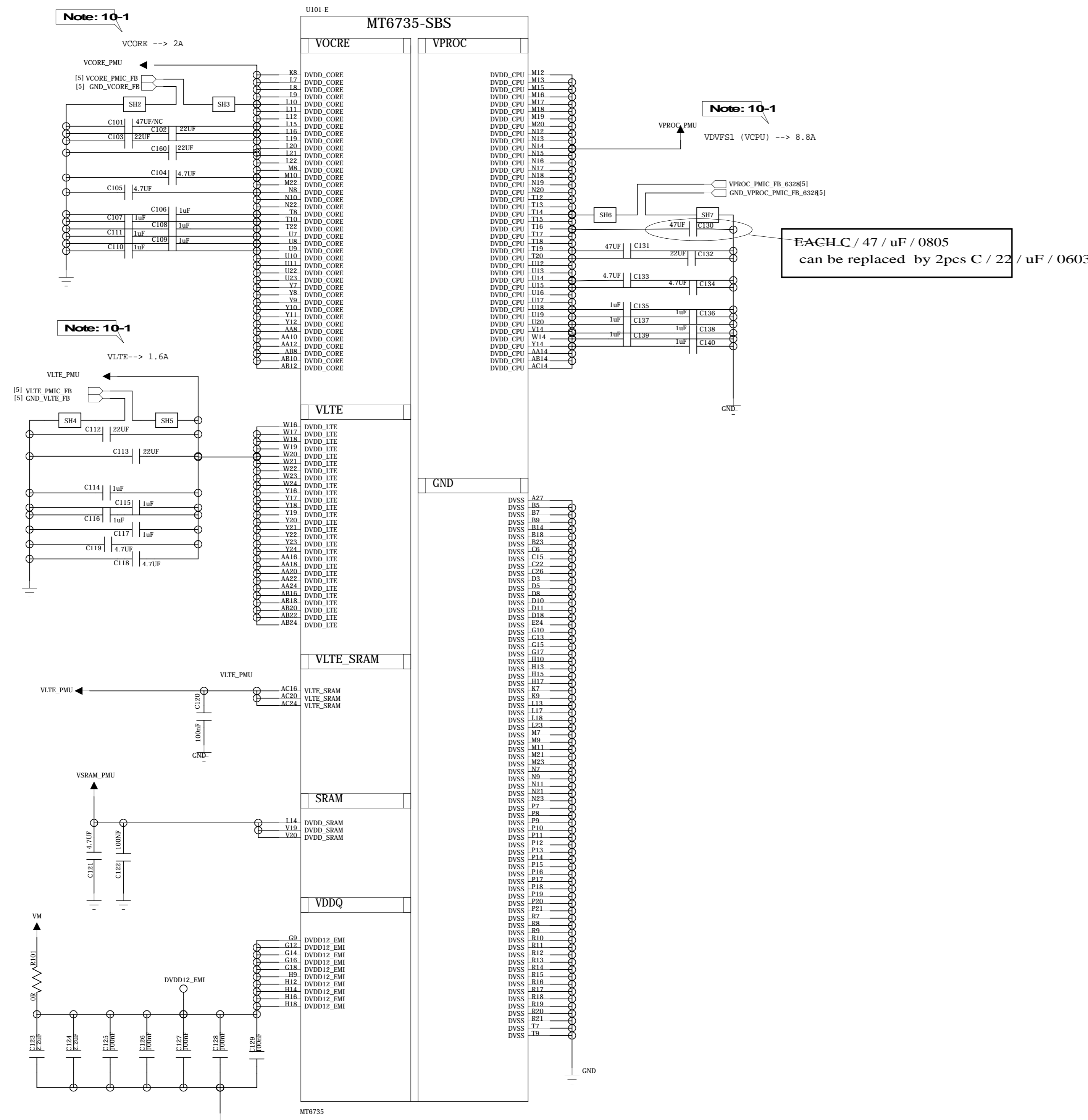
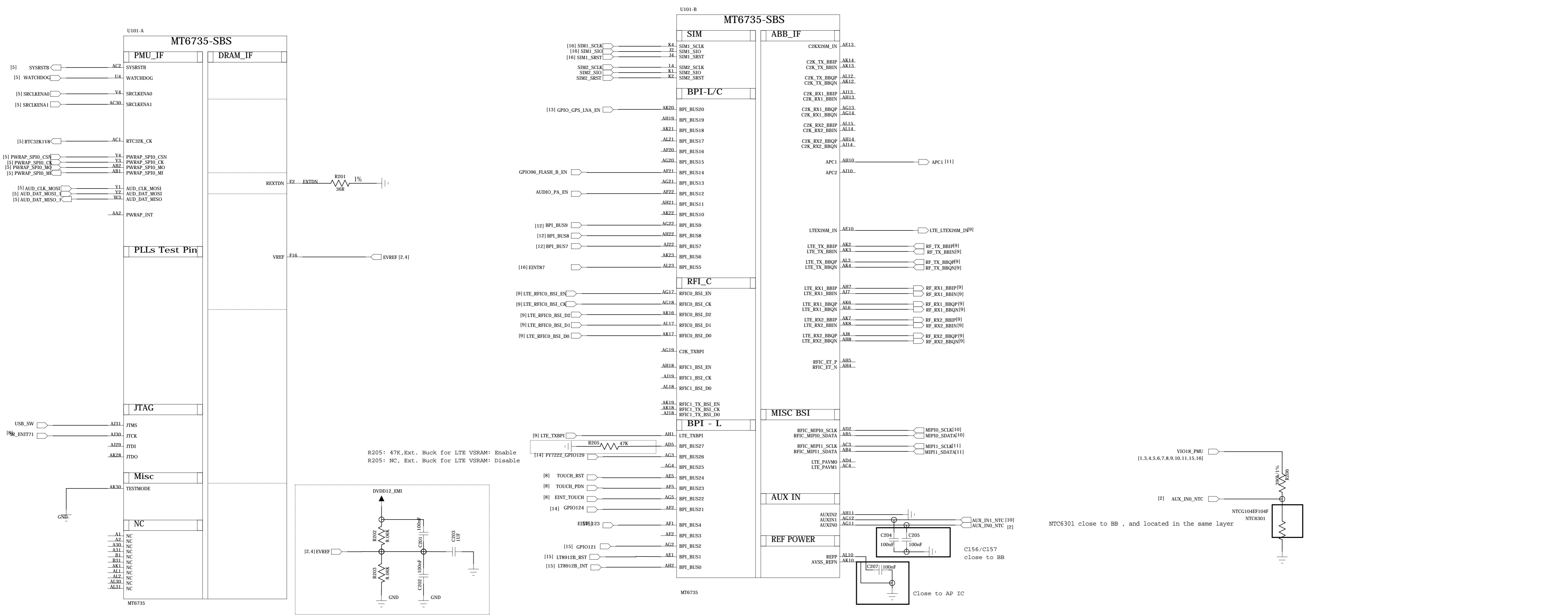


REVISION RECORD			
LTR	ECD NO.	APPROVED	DATE



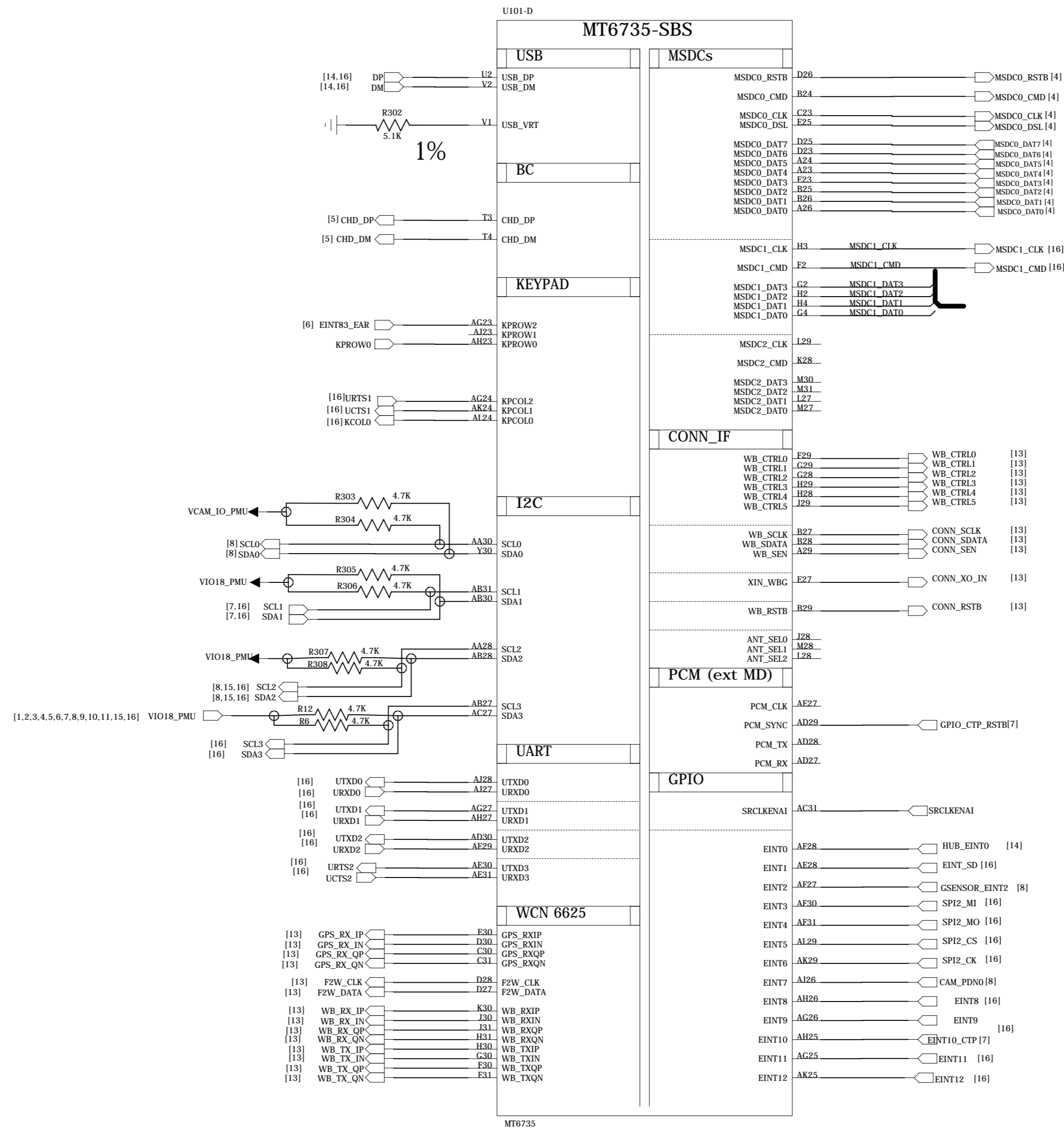
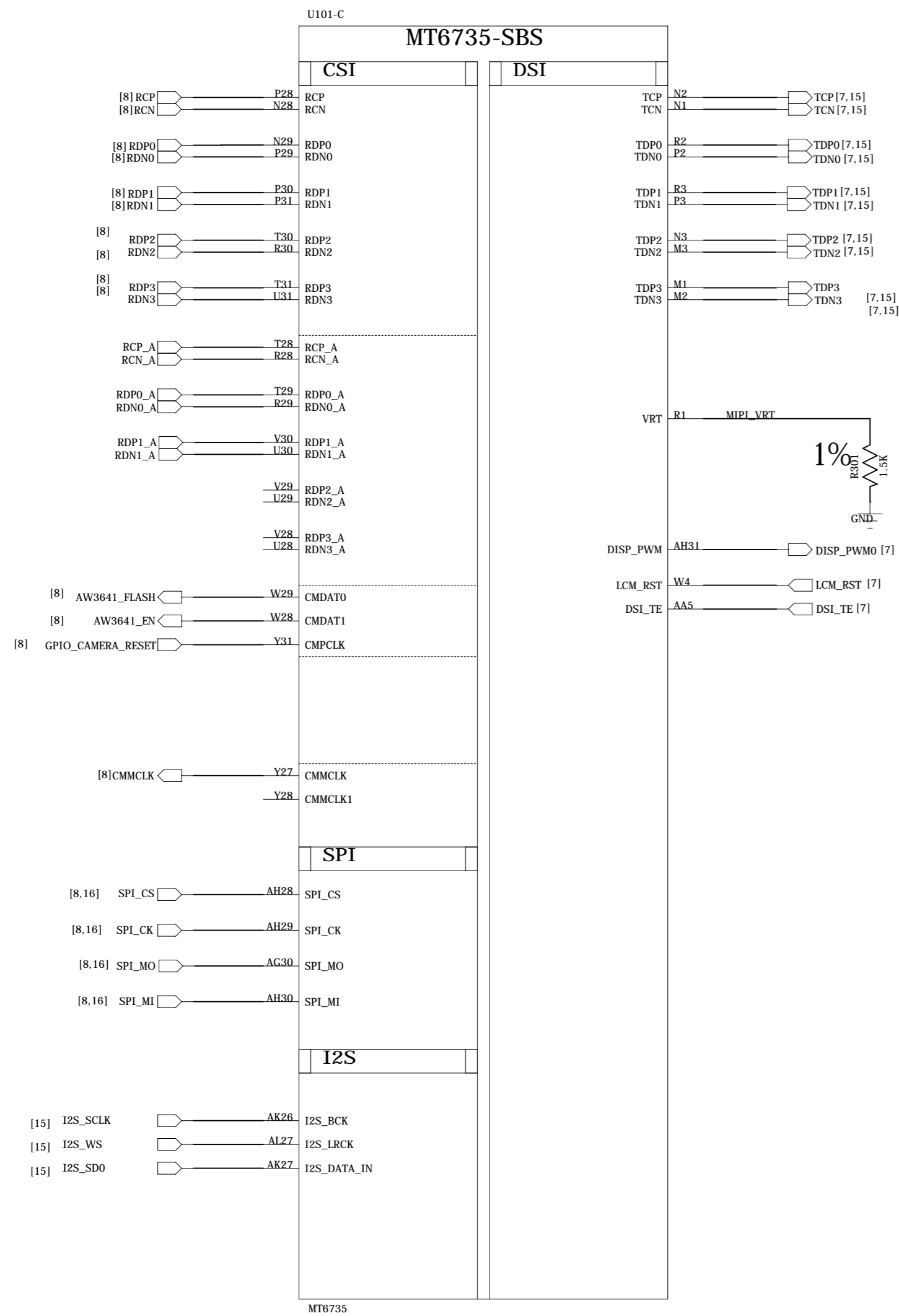
COMPANY: HYMOST communications, Inc.				
TITLE: E01_MB_V1.01				
DRAWN: yinsun	DATED: 2012-0802	CODE: 1.0	SIZE: A1	DRAWING NO: MT6572
CHECKED: <Checked By>	DATED: 2012-0802	SCALE: 1.0	REV: V1.01	REVISION RECORD
QUALITY CONTROL: <QC By>	DATED: 2012-0802	SHEET: 1 OF 16		
RELEASED: <Released By>	DATED: 2012-0802			

REVISION RECORD			
LTR	ECD NO.	APPROVED:	DATE:



COMPANY: HYMOST communications, Inc.				
TITLE: E01_MB_V1.01				
DRAWN: yinsun	DATED: 2012-0802	CODE: 1.0	SIZE: A1	DRAWING NO: MT6572
CHECKED: <Checked By>	DATED: 2012-0802	SCALE: 1.0	REV: V1.01	RELEASER: <QC By>
QUALITY CONTROL: <QC By>	DATED: 2012-0802	SHEET: 2 OF 16		
RELEASED: <Released By>	DATED: 2012-0802	DATE: 2012-0802		

REVISION RECORD			
TR	ECO NO.	APPROVED	DATE



COMPANY <b>HYMOST communications, Inc.</b>				
TITLE <b>E01_MB_V1.01</b>				
DRAWN: <b>yinsun</b>	DATED: <b>2012-0802</b>	CODE: <b>1.0</b>	SIZE: <b>A1</b>	DRAWING NO: <b>MT6572</b>
CHECKED: <Checked By>	DATED: <b>2012-0802</b>	DATE: <b>2012-0802</b>	DATE: <b>2012-0802</b>	REV: <b>V1.01</b>
QUALITY CONTROL: <QC By>	DATED: <b>2012-0802</b>	SCALE: <b>1.0</b>	SHEET: 3 OF 16	
RELEASED: <Released By>	DATED: <b>2012-0802</b>			

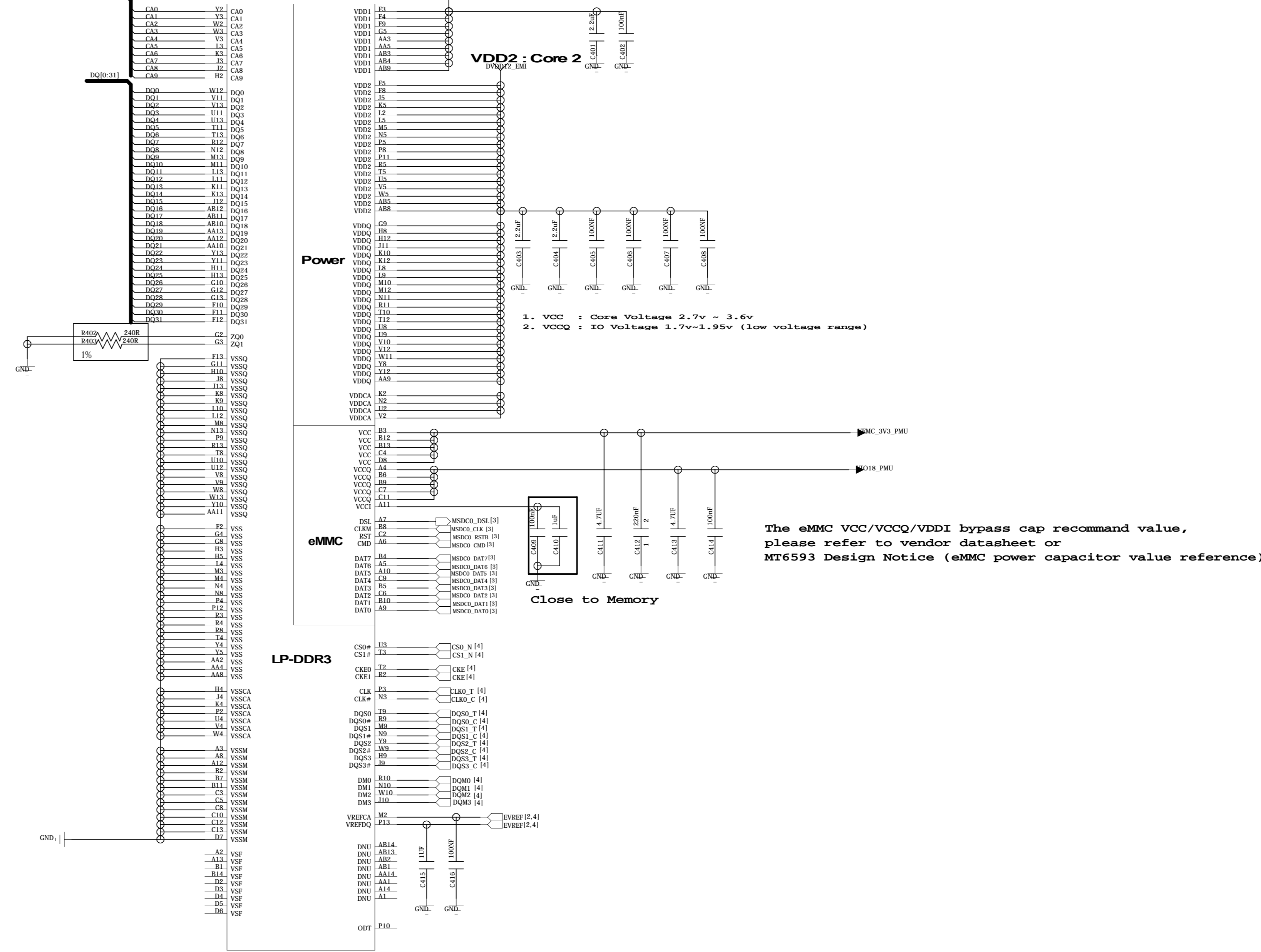
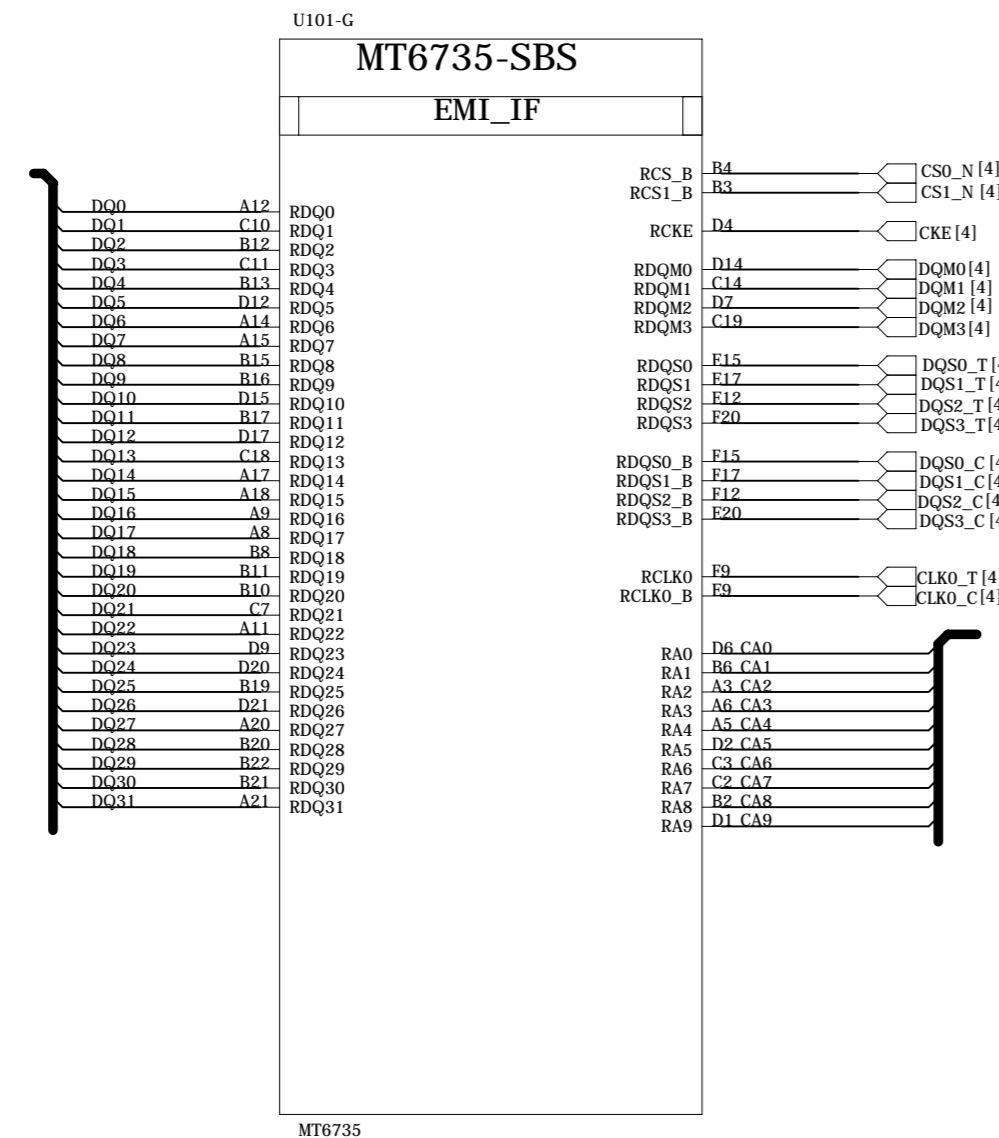
REVISION RECORD			
LTR	ECO NO.	APPROVED	DATE

# eMMC+LPDDR3

## 8GB eMMC + 8Gb LPDDR3 Hynix/H9TQ64A8GTMCUR-KUM

221 Ball, 0.5mm pitch  
VDD1=1.8V  
VDD2=1.20V  
VDDCA=1.2V  
VDDQ= 1.20V

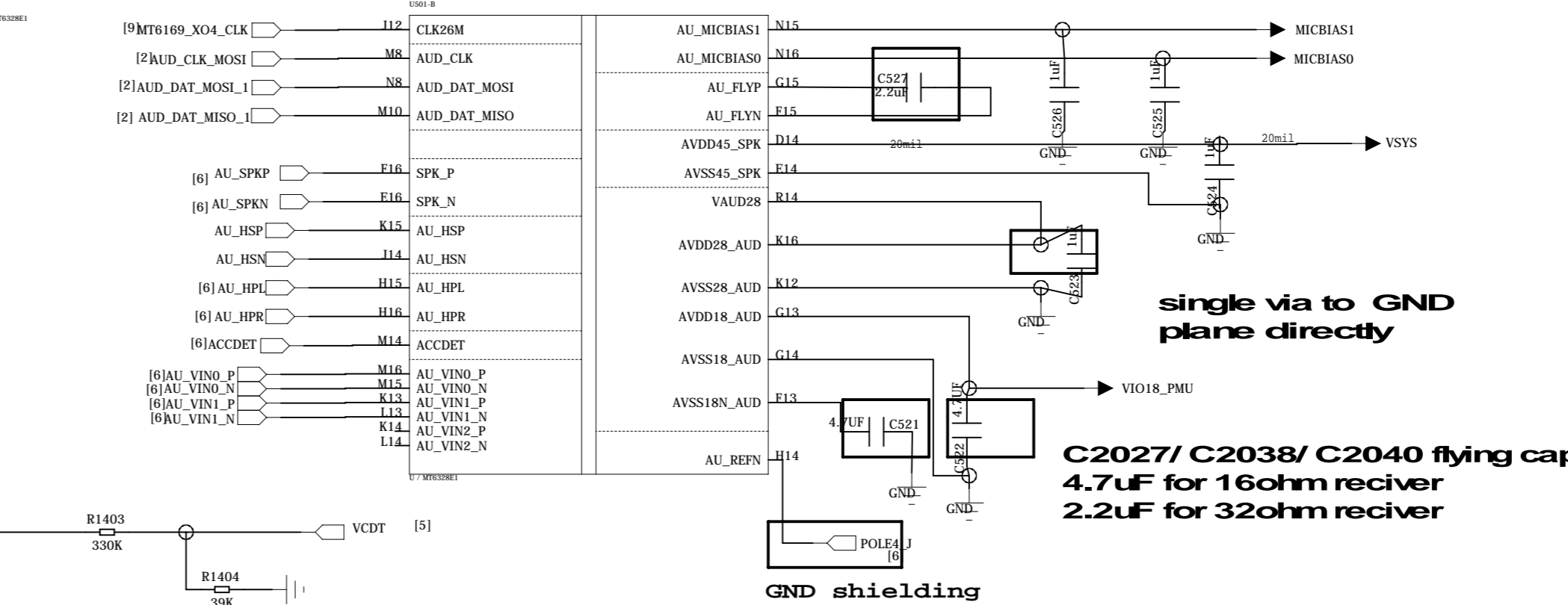
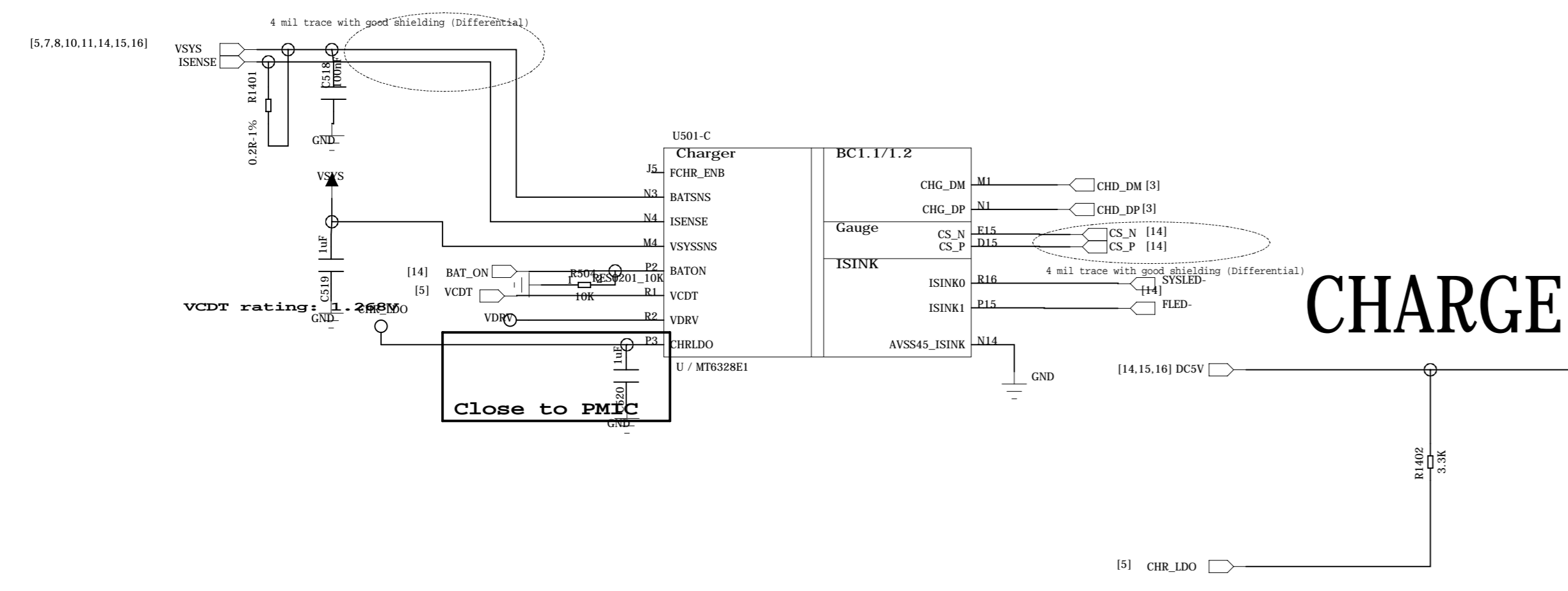
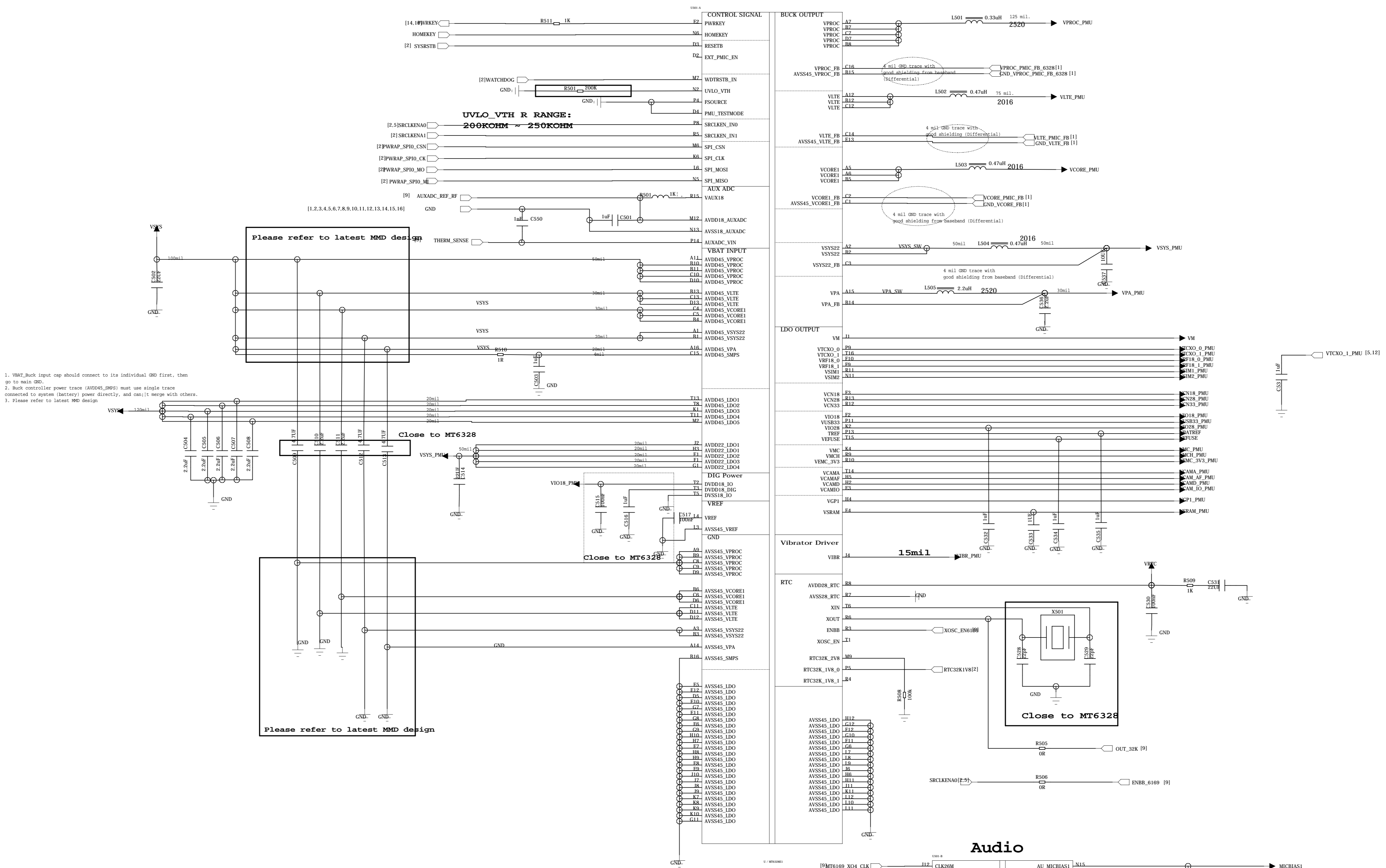
VDD1 : Core 1  
VDD2 : Core 2



U / H9TQ64A8GTMCUR-KUM / FBCA221

COMPANY: HYMOST communications, Inc.			
TITLE: E01_MB_V1.01			
DRAWN: yinsun	DATED: 2012-0802	CODE: 1.0	SIZE: A1
CHECKED: <Checked By>	DATED: 2012-0802	DRAWING NO: MT6572	REV: V1.01
QUALITY CONTROL: <QC By>	DATED: 2012-0802	SCALE: 1.0	SHEET: 4 OF 16
RELEASED: <Released By>	DATED: 2012-0802		

REVISION RECORD			
LTR	ECD NO.	APPROVED:	DATE:



1. VBAT\_Buck input cap should connect to its individual GND first, then go to main GND.
2. Buck controller power trace (AVDD45\_BMPS) must use single trace connected to system (battery) power directly, and can't merge with others.
3. Please refer to latest MMD design.

Please refer to latest MMD design

Close to MT6328

Close to MT6328

Please refer to latest MMD design

## CHARGE

## Audio

single via to GND plane directly

C2027/ C2038/ C2040 flying cap & holding cap :  
4.7uF for 16ohm receiver  
2.2uF for 32ohm receiver

To improve noise level, connect to audio jack first, and then connect to GND

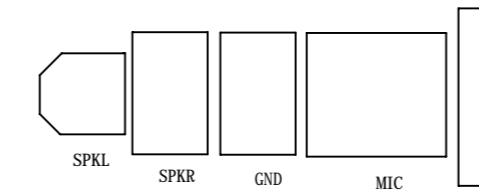
COMPANY: HYMOST communications, Inc.

TITLE: E01\_MB\_V1.01

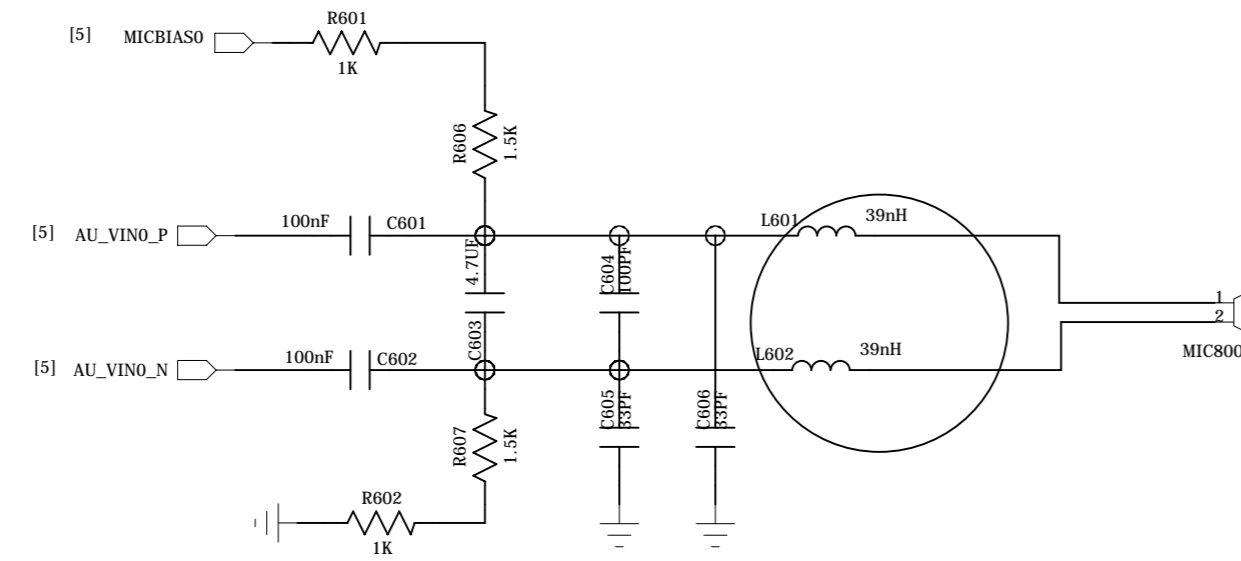
DRAWN: yinsun	DATED: 2012-0802
CHECKED: <Checked By>	DATED: 2012-0802
QUALITY CONTROL: <QC By>	DATED: 2012-0802
RELEASED: <Released By>	DATED: 2012-0802

CODE: 1.0	SIZE: A1	DRAWING NO: MT6572	REV: V1.01
SCALE: 1.0		SHEET: 5 OF 16	

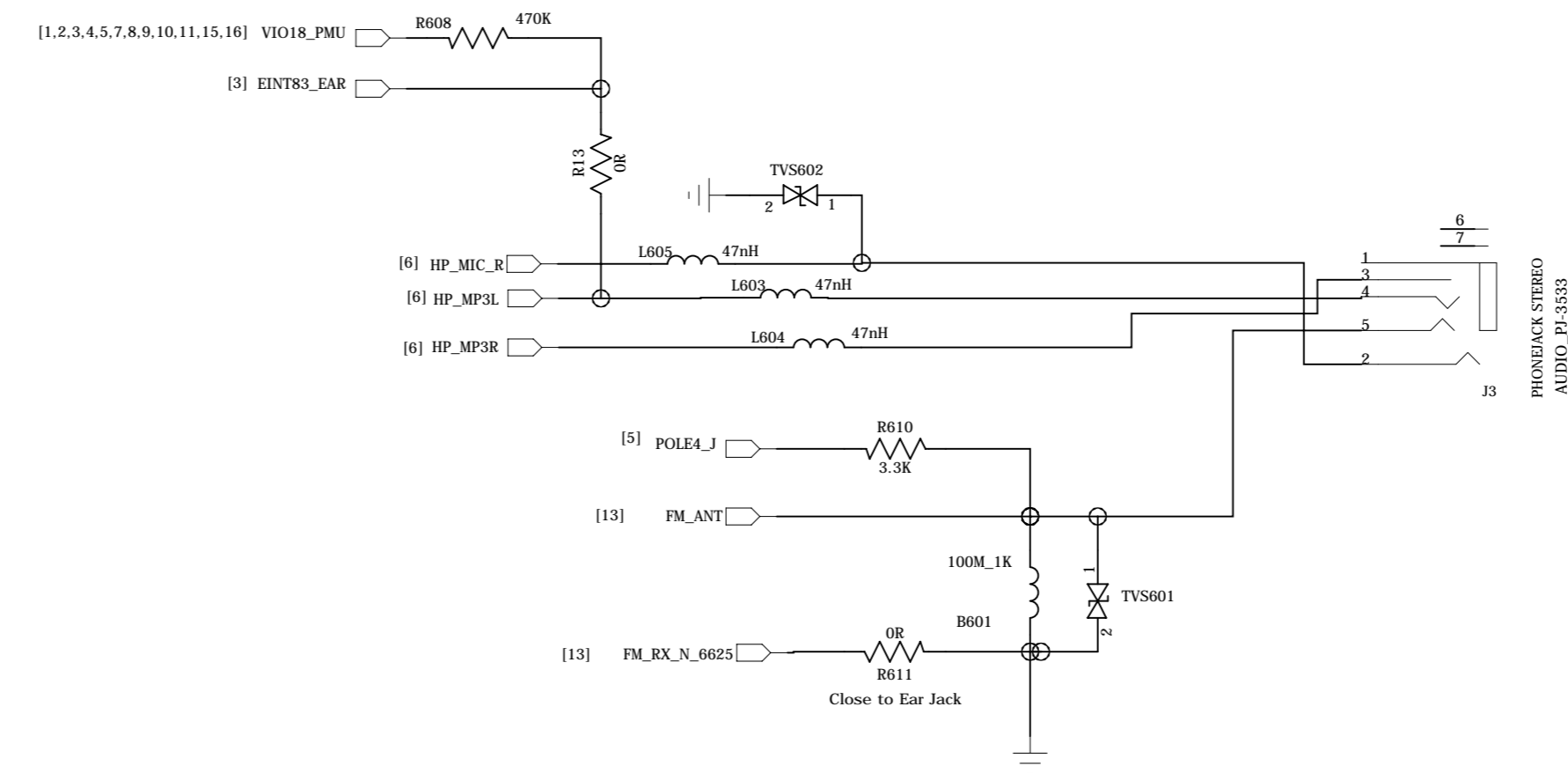
REVISION RECORD			
LTR	ECO NO.	APPROVED:	DATE:



### MIC

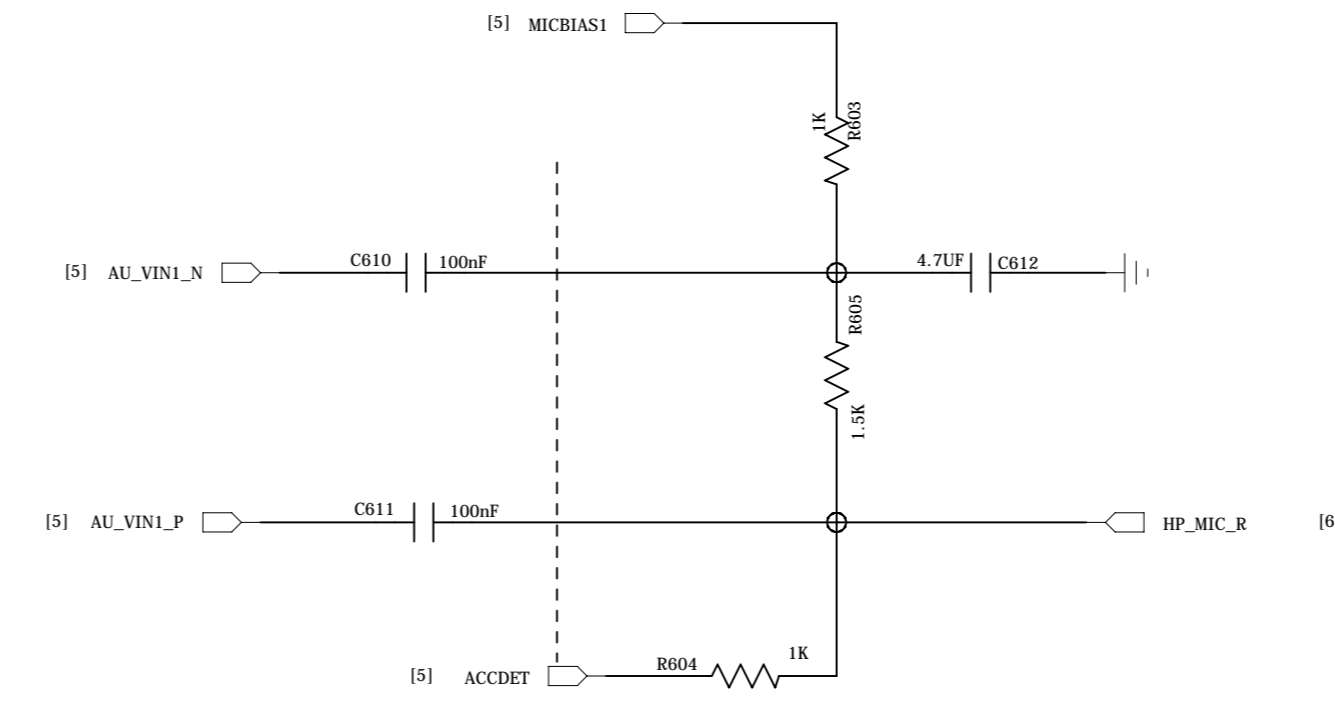


### RECEIVER

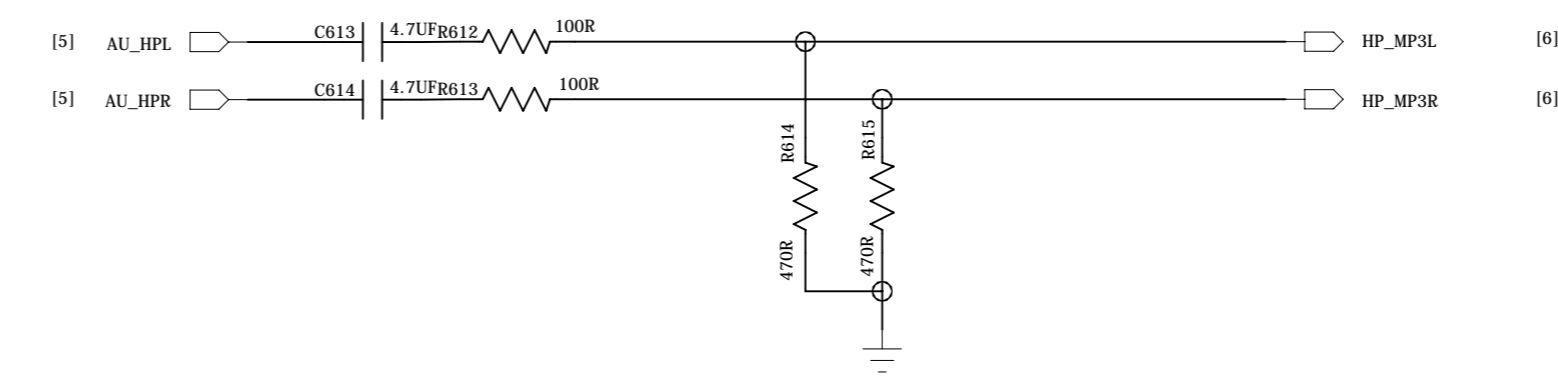


### RECEIVER

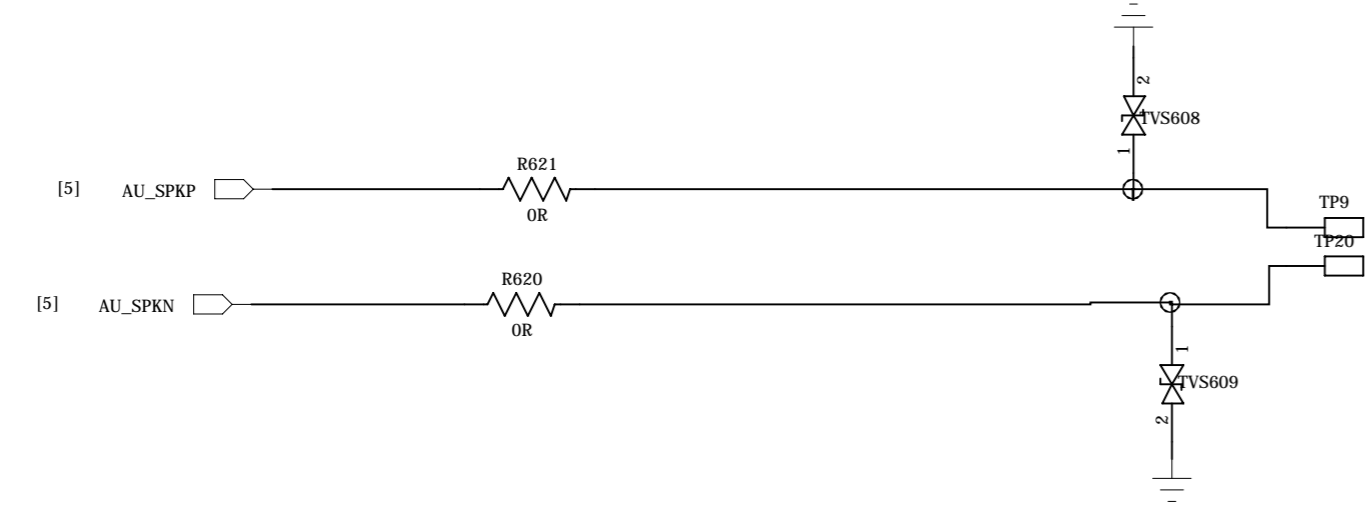
### Earphone MIC



### MP3



### SPK



COMPANY: HYMOST communications, Inc.

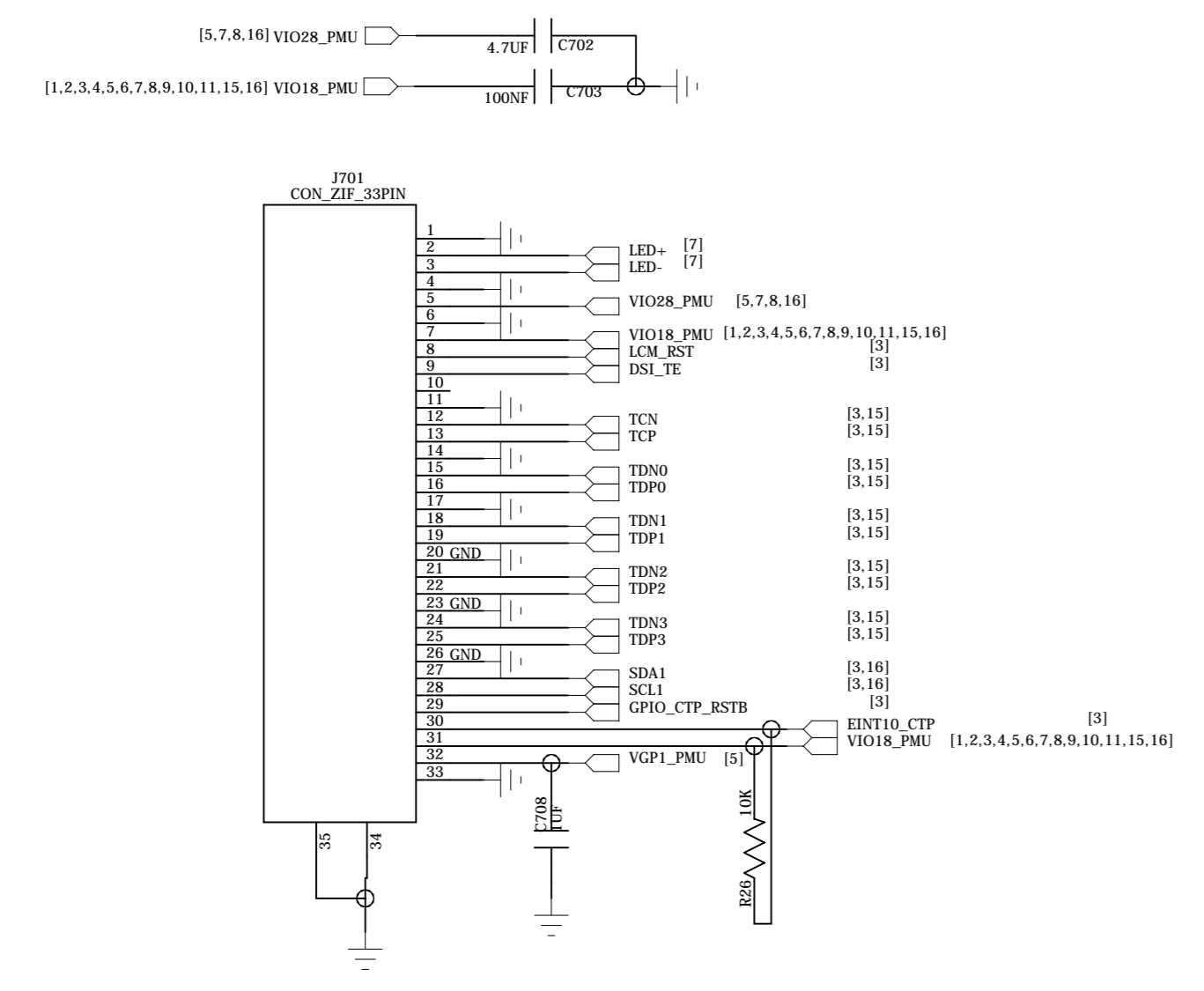
TITLE: E01\_MB\_V1.01

DRAWN: yinsun	DATED: 2012-0802	CODE: 1.0	SIZE: A1	DRAWING NO: MT6572	REV: V1.01
CHECKED: <Checked By>	DATED: 2012-0802	SCALE: 1.0		SHEET: 6 OF 16	
QUALITY CONTROL: <QC By>	DATED: 2012-0802				
RELEASED: <Released By>	DATED: 2012-0802				

REVISION RECORD			
LTR	ECD NO.	APPROVED:	DATE:

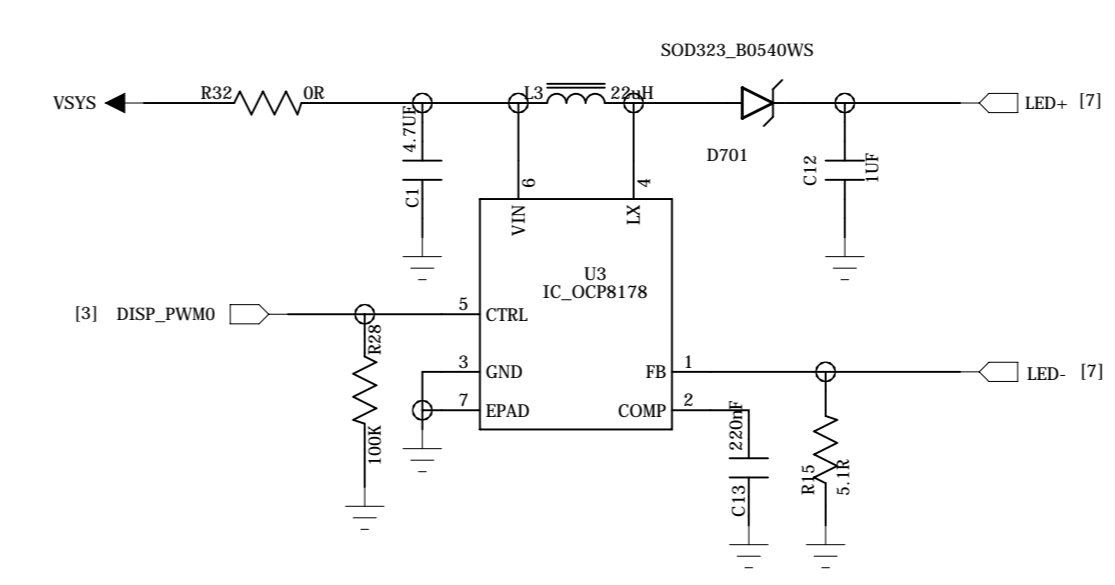
# 4.95" HD LCM(MIPI)

Í - R7135T



# Back Light

6' Ü2² Ç  
2\*20mA\*3.2V\*6

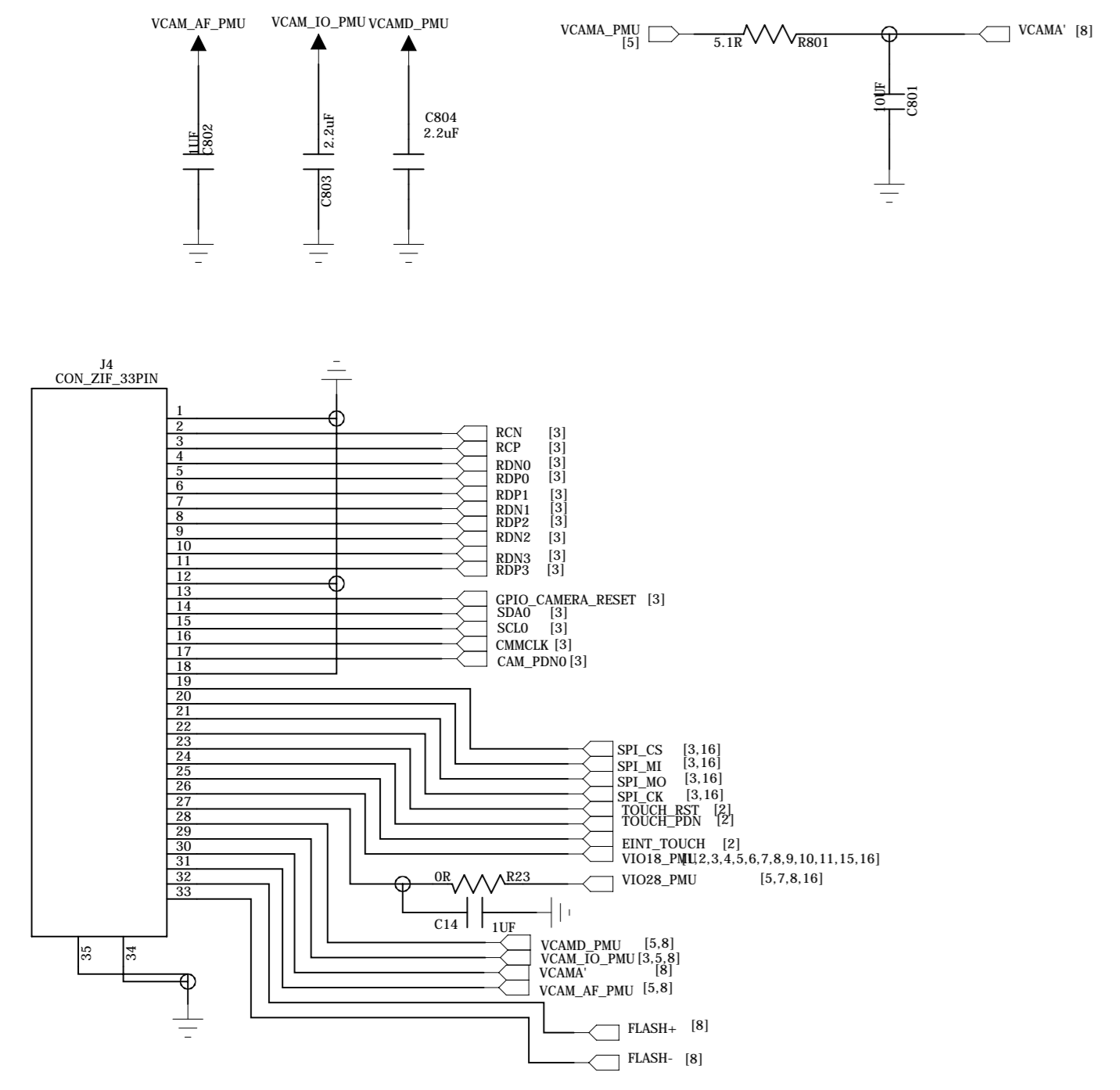


COMPANY: HYMOST communications, Inc.				
TITLE: E01_MB_V1.01				
DRAWN: yinsun	DATED: 2012-0802	CODE: 1.0	SIZE: A1	DRAWING NO: MT6572
CHECKED: <Checked By>	DATED: 2012-0802	REV: V1.01		
QUALITY CONTROL: <QC By>	DATED: 2012-0802			
RELEASED: <Released By>	DATED: 2012-0802	SCALE: 1.0	SHEET: 7 OF 16	



REVISION RECORD			
LTR	ECO NO.	APPROVED:	DATE:

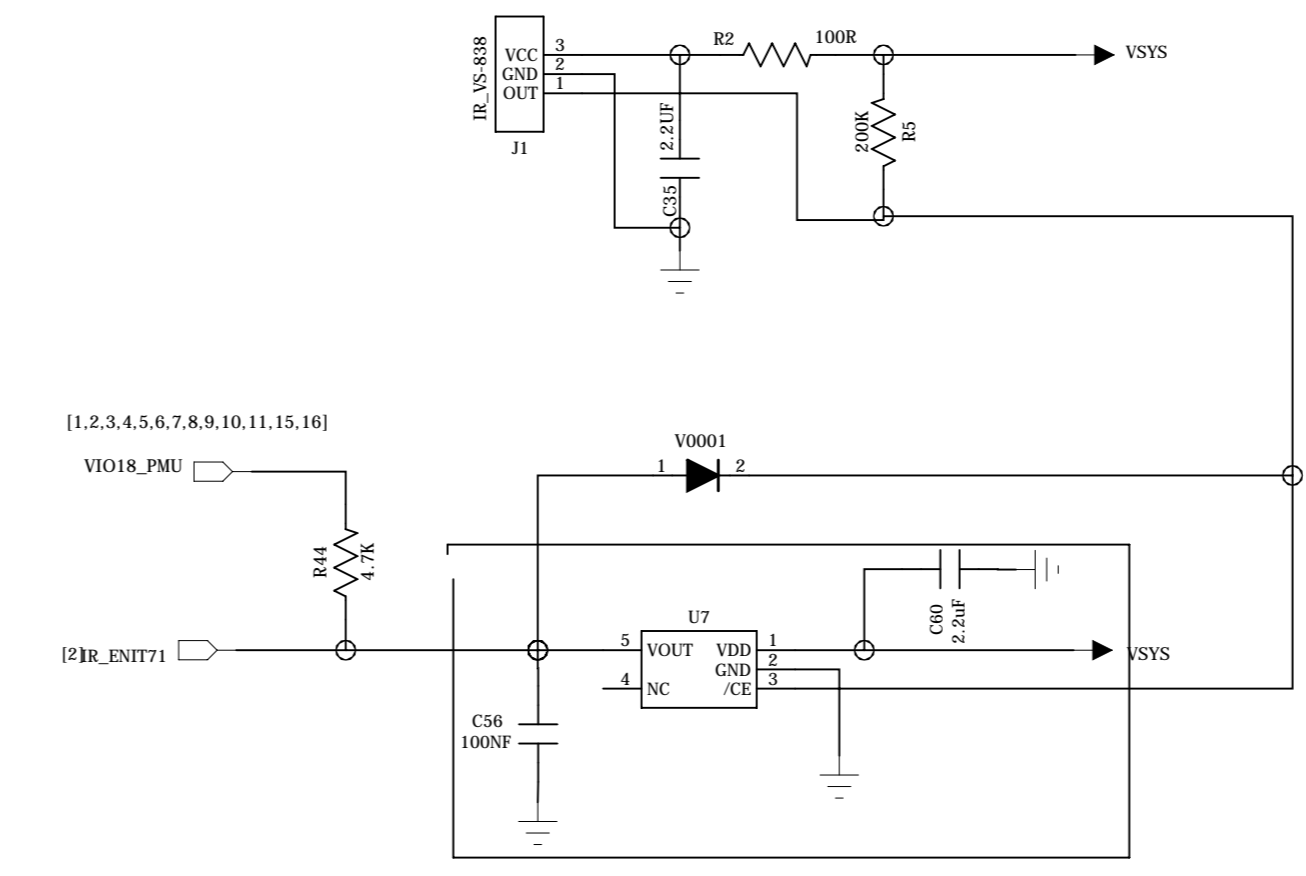
# 5M Sensor



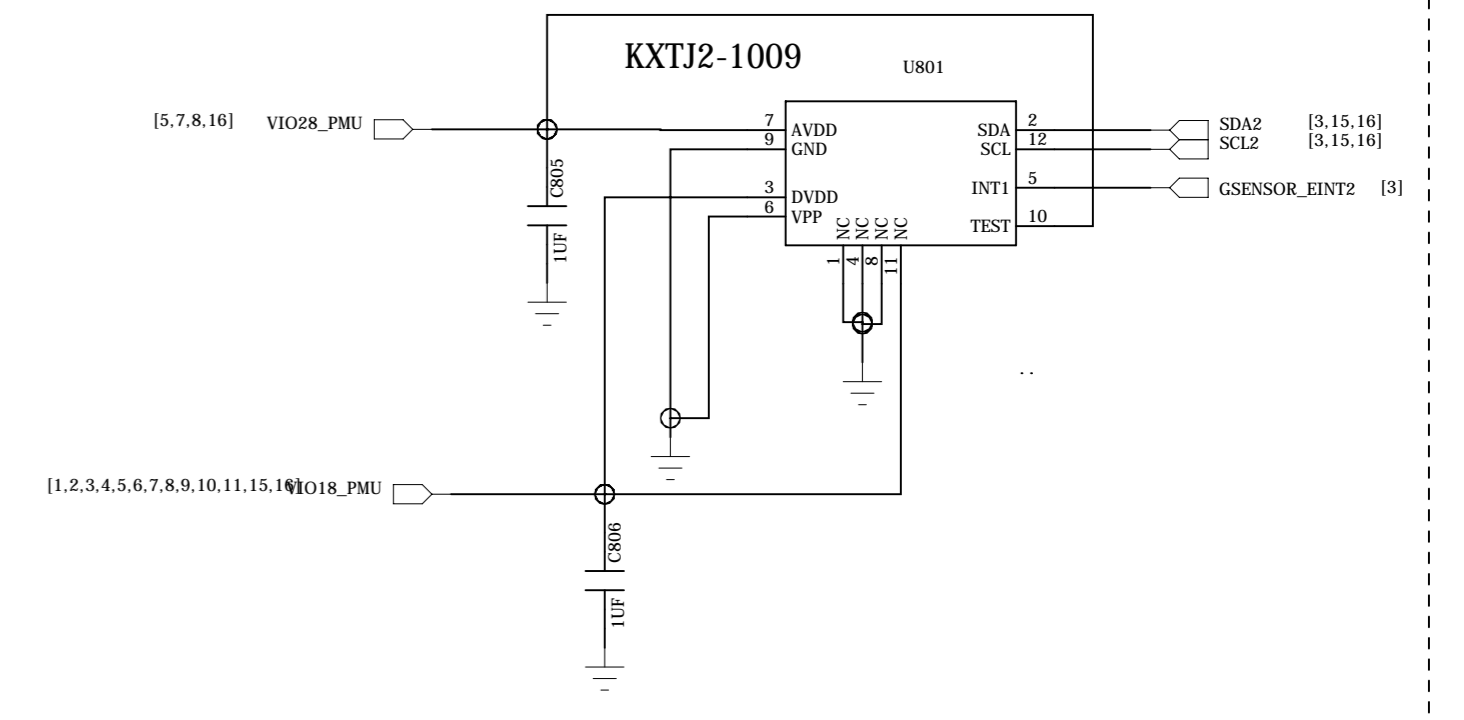
Éãĩ ñí .

Ö, Î Æ

# IR

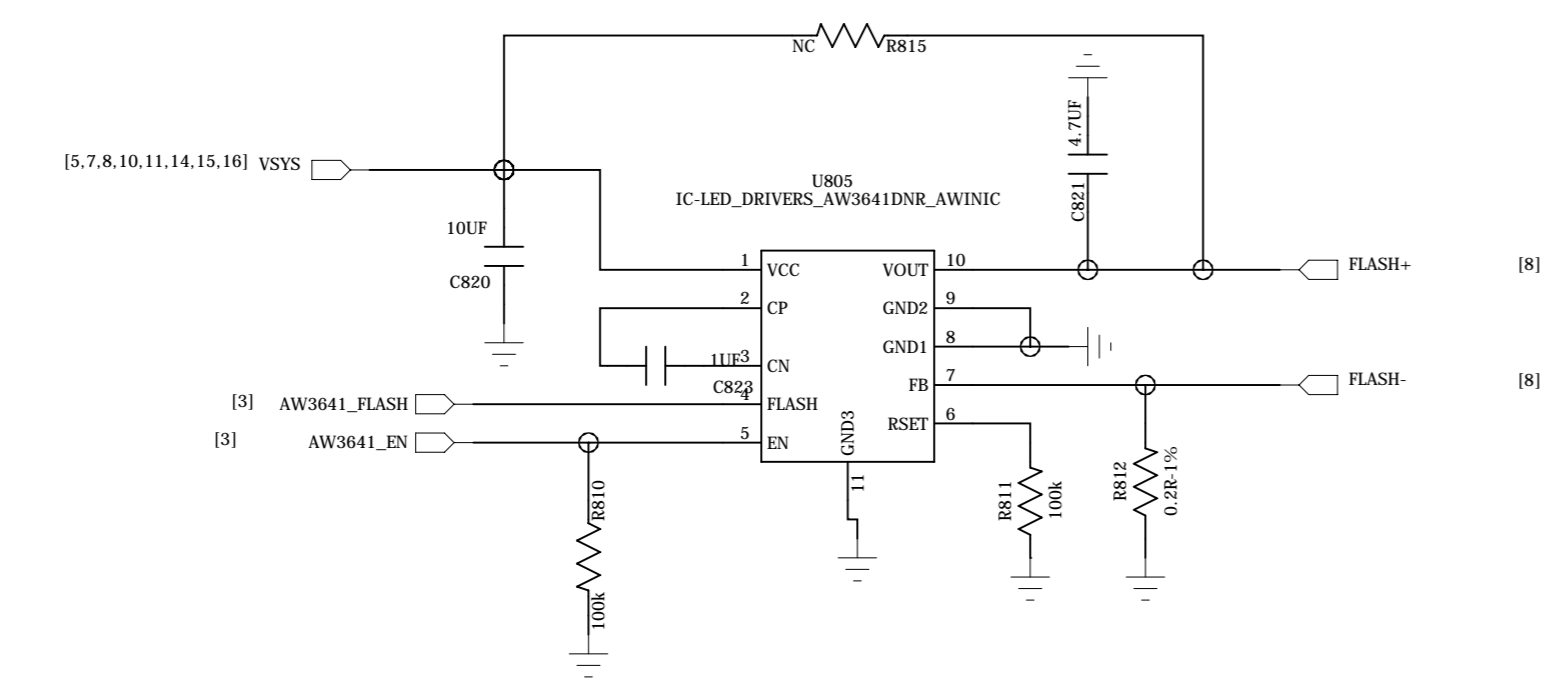


# G-Sensor



# AF6212-18C

VCAMA	1.5/1.8/2.5/2.8	200
VCAMAF	1.2/1.3/1.5/1.8/2.0/2.8/3.0/3.3	200
VCAMD	0.9/1.0/1.1/1.22/1.3/1.5	500
VCAMIO	1.2/1.3/1.5/1.8	200



COMPANY: HYMOST communications, Inc.

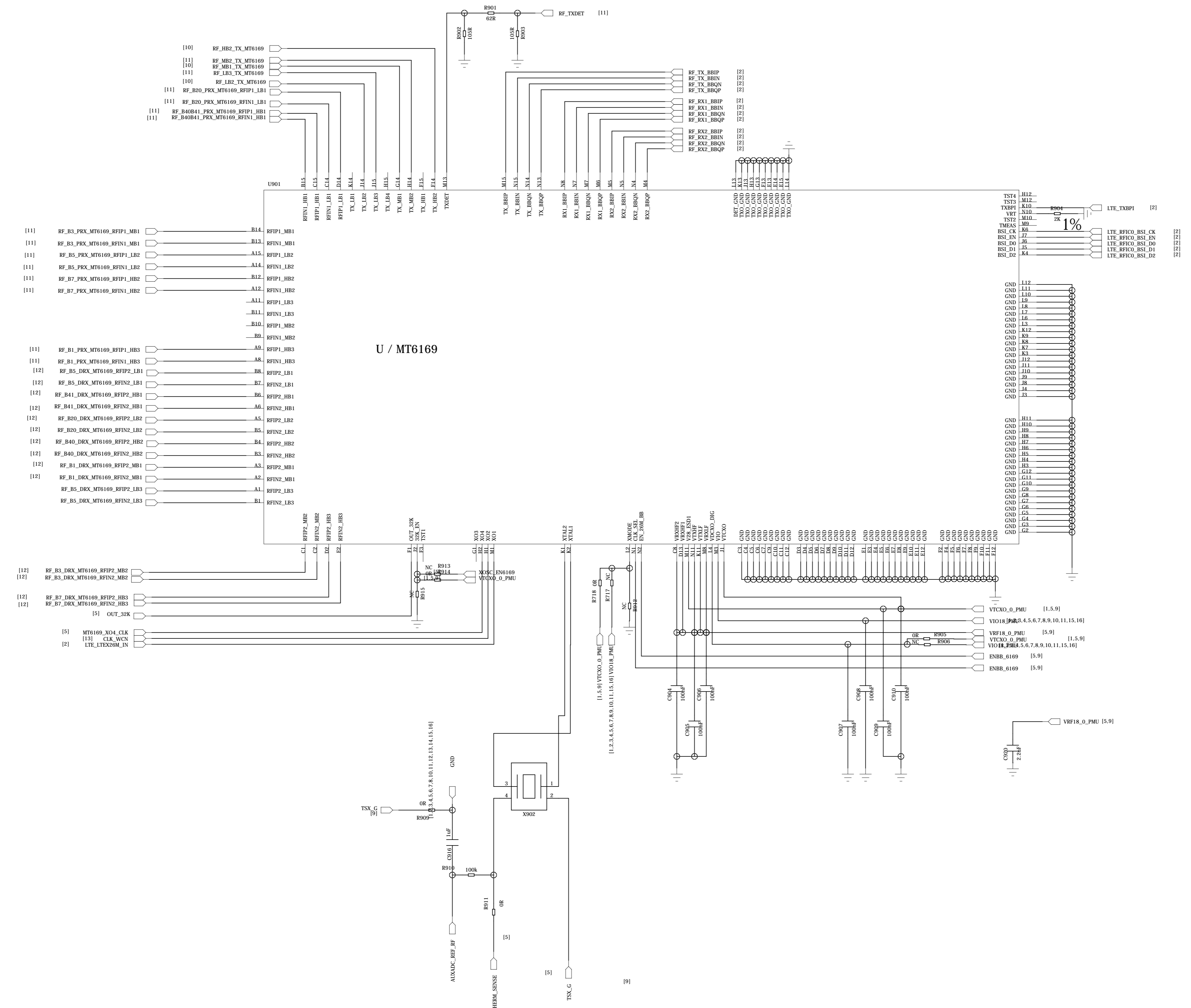
TITLE: E01\_MB\_V1.01

DRAWN:	DATED:	CODE:	SIZE:	DRAWING NO.:	REV:
yinsun	2012-0802	1.0	A1	MT6572	V1.01
CHECKED:	DATED:	QUALITY CONTROL:	DATED:	RELEASED:	DATED:
<Checked By>	2012-0802	<QC By>	2012-0802	<Released By>	2012-0802

SCALE: 1.0 SHEET: 8 OF 16

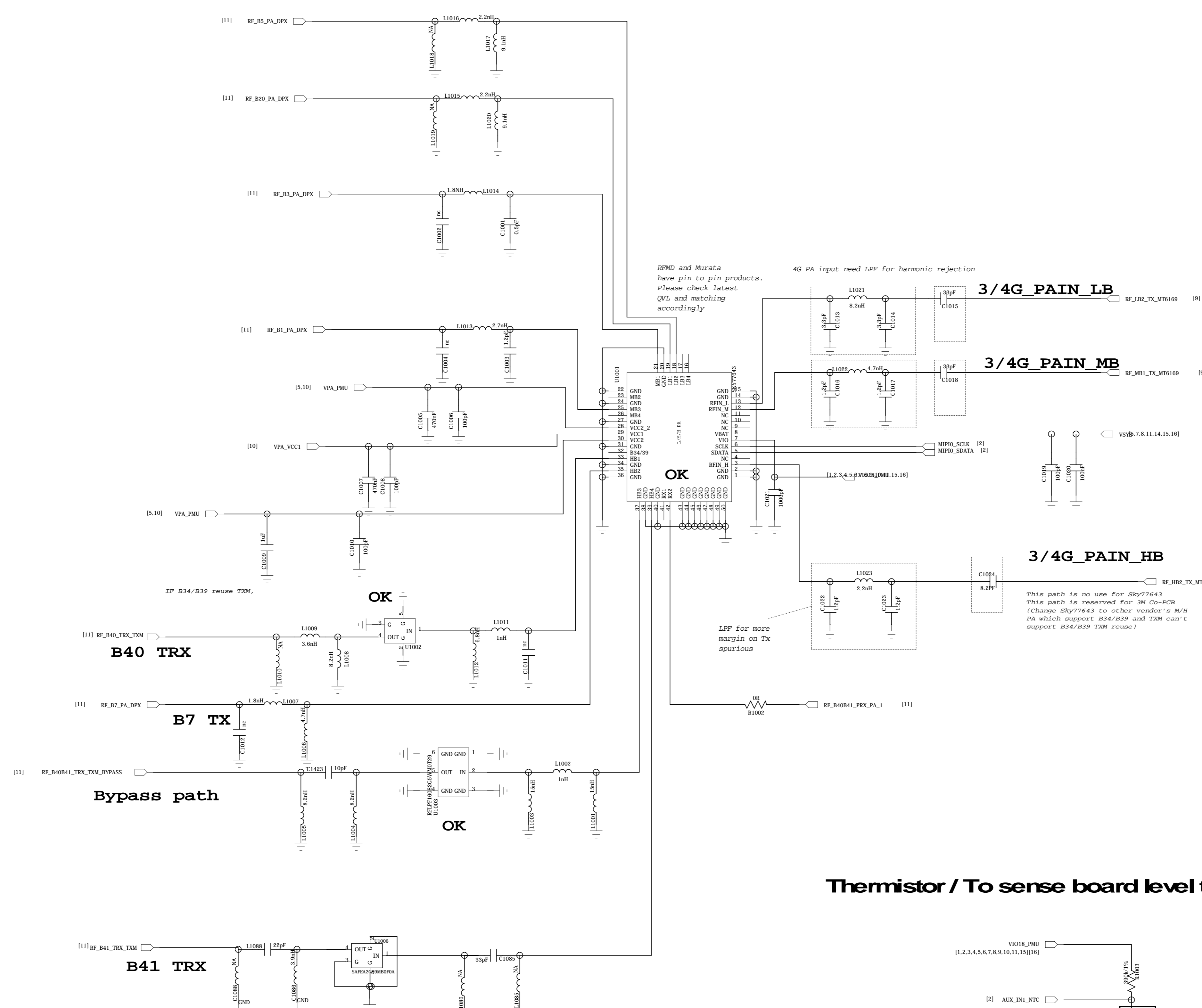


REVISION RECORD			
LTR	ECO NO.	APPROVED:	DATE:

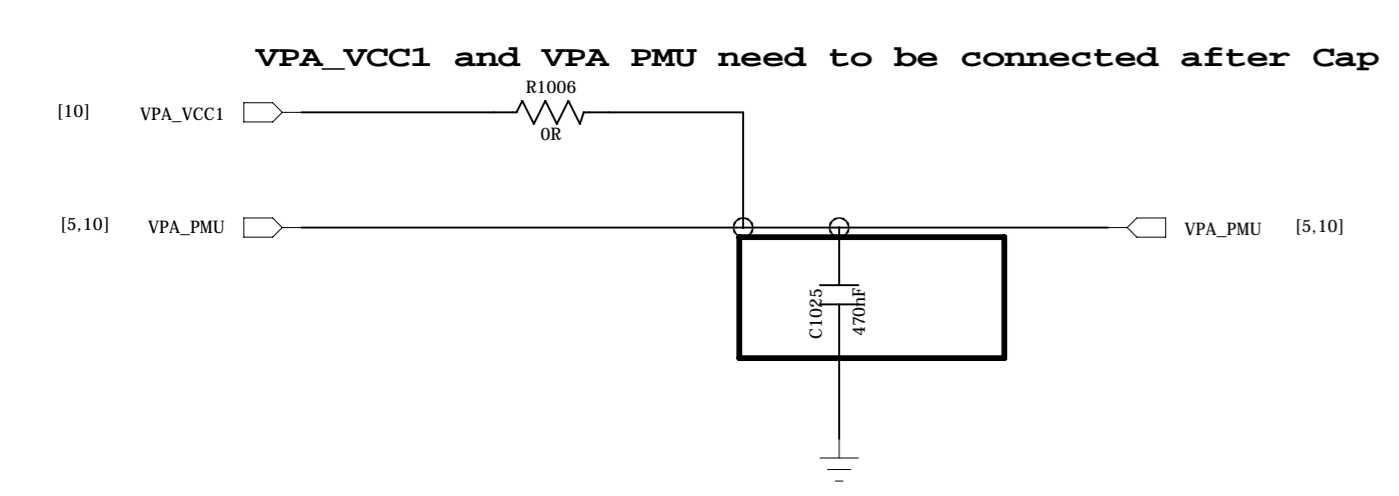


COMPANY: <b>HYMOST communications, Inc.</b>					
TITLE: <b>E01_MB_V1.01</b>					
DRAWN: <b>yinsun</b>	DATED: <b>2012-0802</b>	CODE: <b>1.0</b>	SIZE: <b>A1</b>	DRAWING NO: <b>MT6572</b>	REV: <b>V1.01</b>
CHECKED: <b>&lt;Checked By&gt;</b>	DATED: <b>2012-0802</b>	QUALITY CONTROL: <b>&lt;QC By&gt;</b>		DATED: <b>2012-0802</b>	
RELEASED: <b>&lt;Released By&gt;</b>	DATED: <b>2012-0802</b>	SCALE: <b>1.0</b>	SHEET: <b>9</b> OF <b>16</b>		

REVISION RECORD			
LTR	ECO NO.	APPROVED	DATE



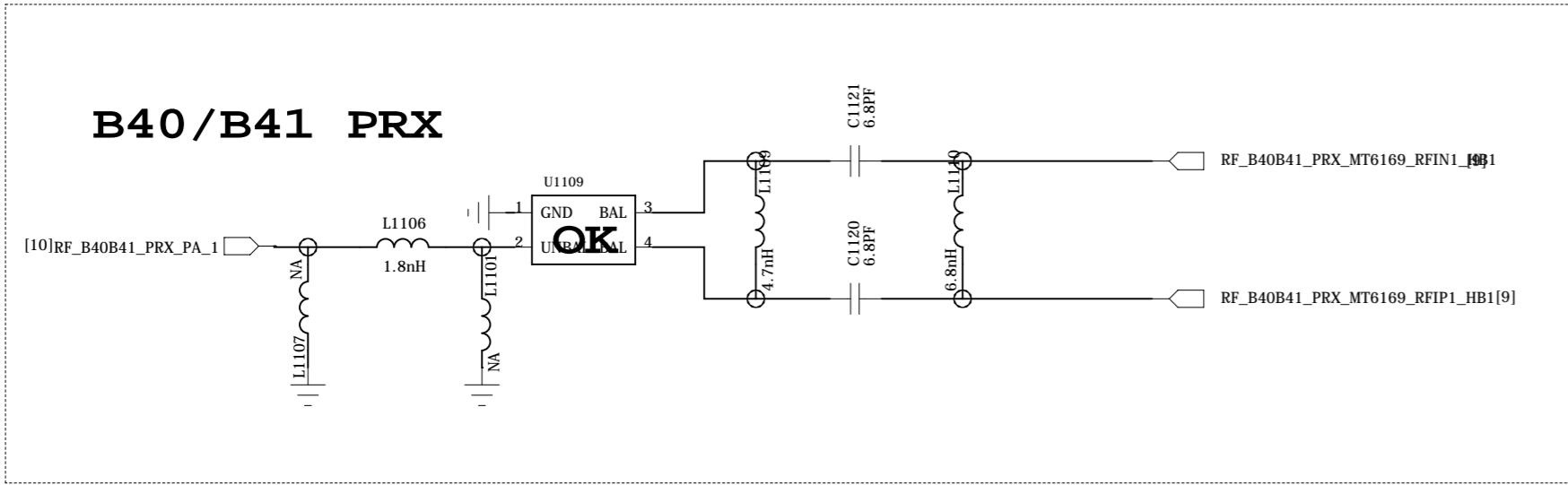
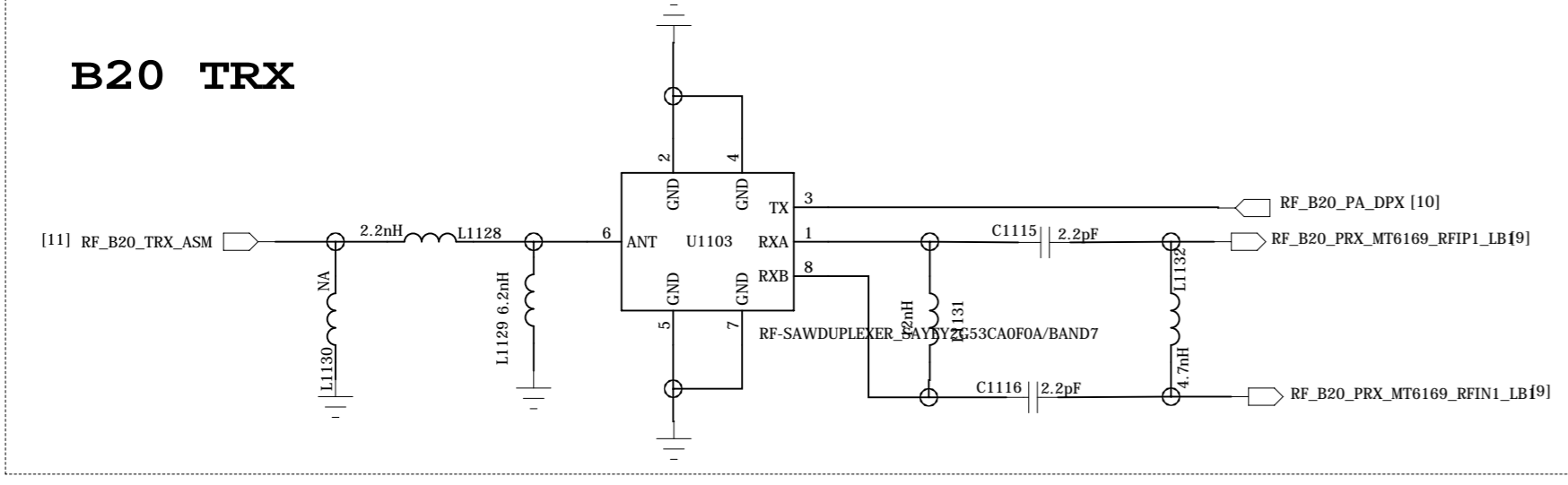
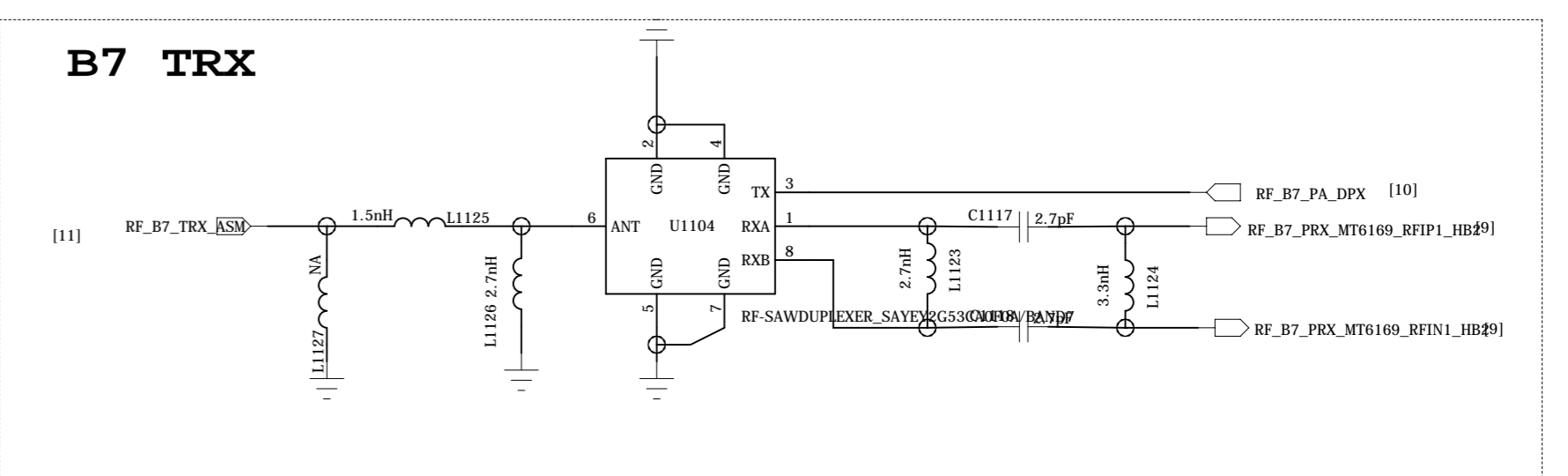
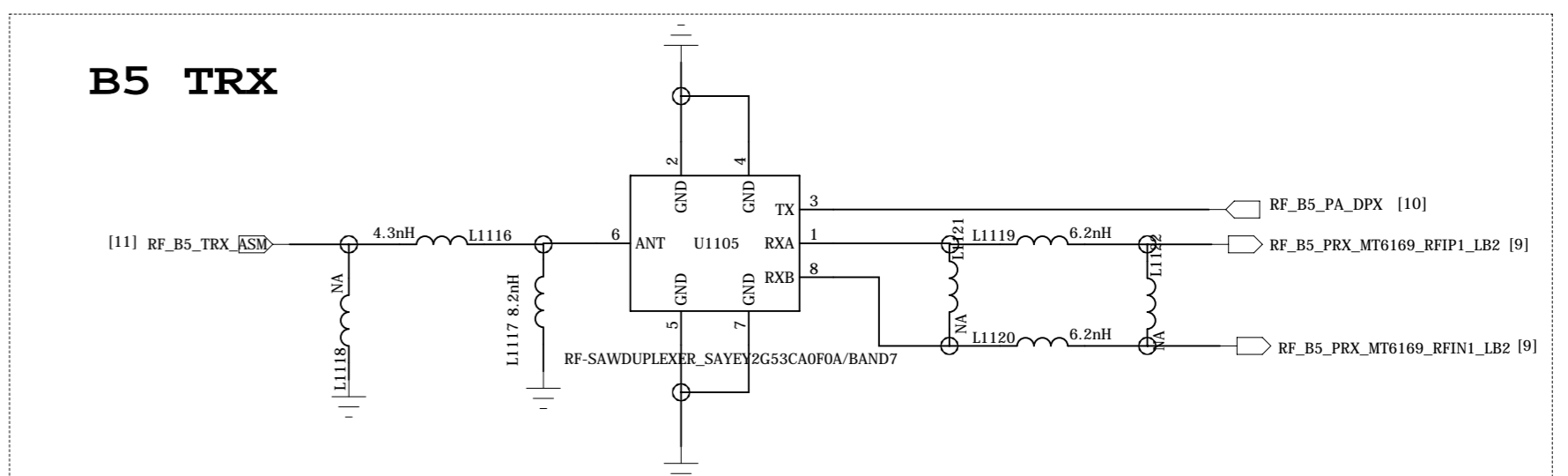
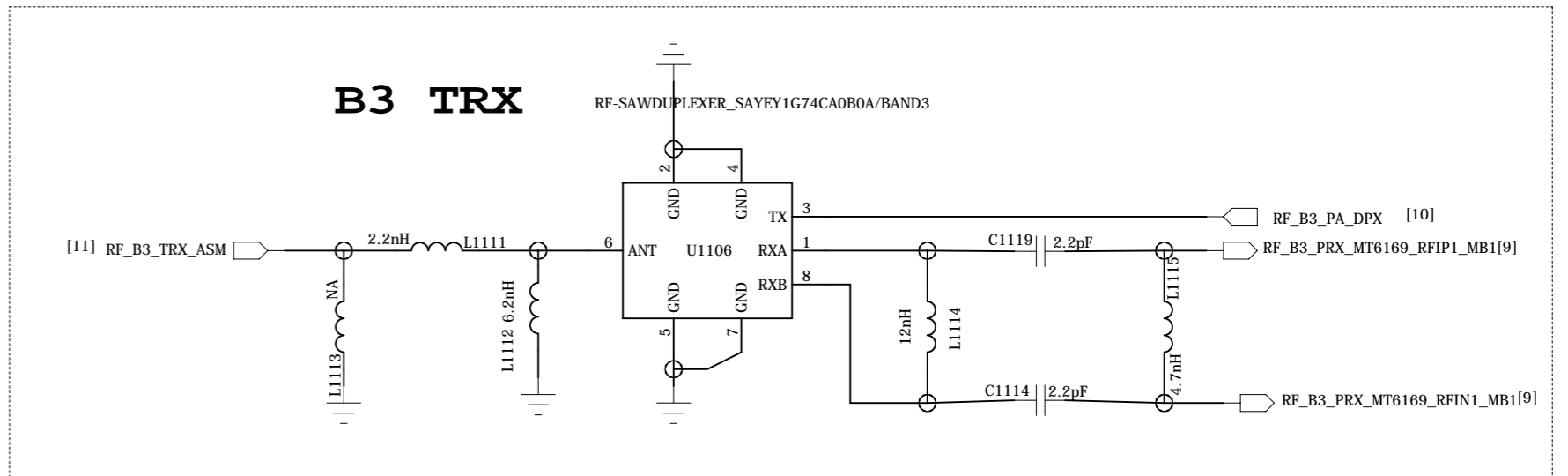
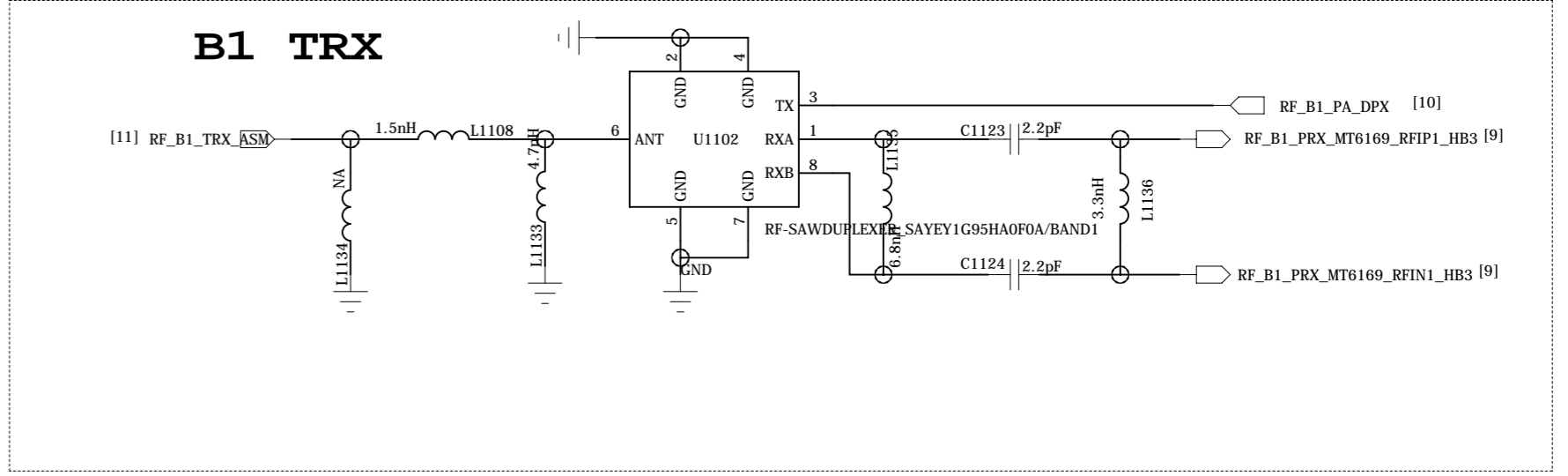
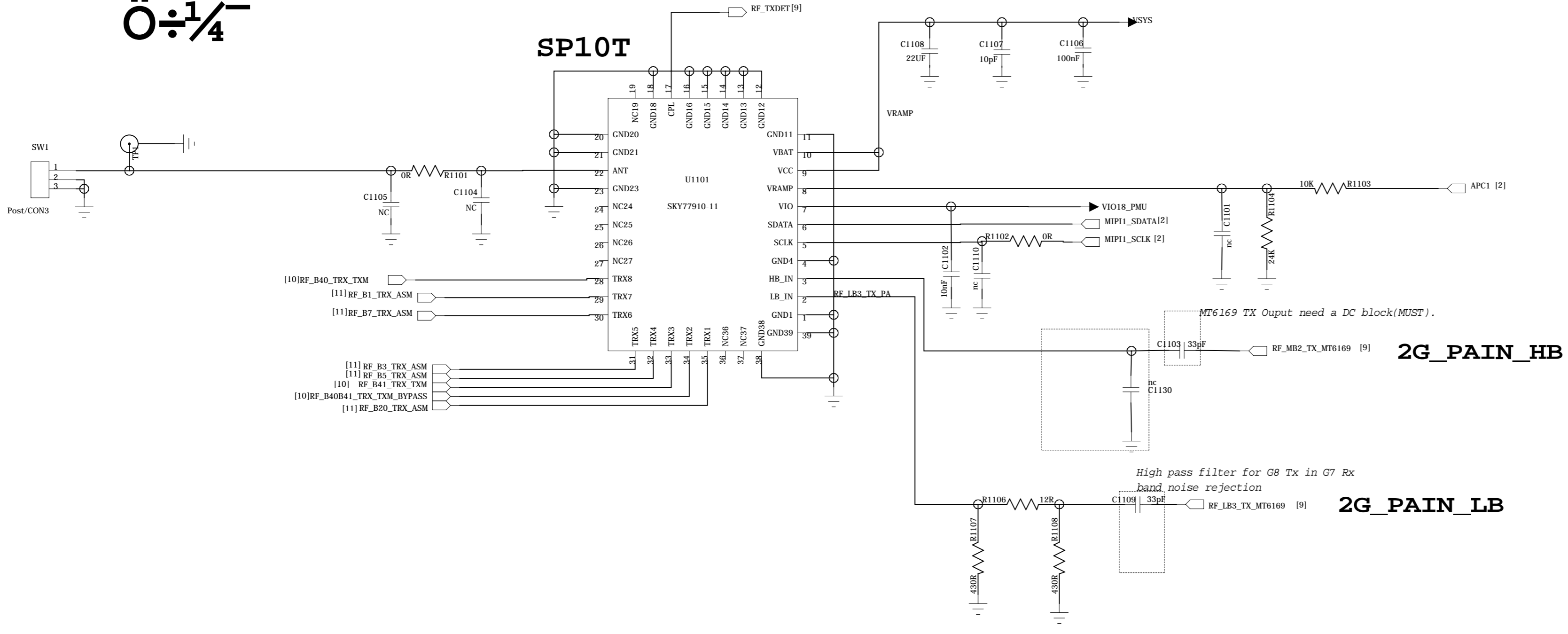
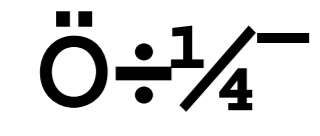
**Thermistor / To sense board level temperature**



COMPANY: HYMOST communications, Inc.				
TITLE: E01_MB_V1.01				
DRAWN: yinsun	DATE: 2012-0802	CODE: 1.0	SIZE: A1	DRAWING NO: MT6572
CHECKED: <Checked By>	DATE: 2012-0802	SCALE: 1.0	REV: V1.01	
QUALITY CONTROL: <QC By>	DATE: 2012-0802			
RELEASED: <Released By>	DATE: 2012-0802			

REVISION RECORD			
LTR	ECO NO.	APPROVED:	DATE:

**ASM\_Main\_703~2690MHz**

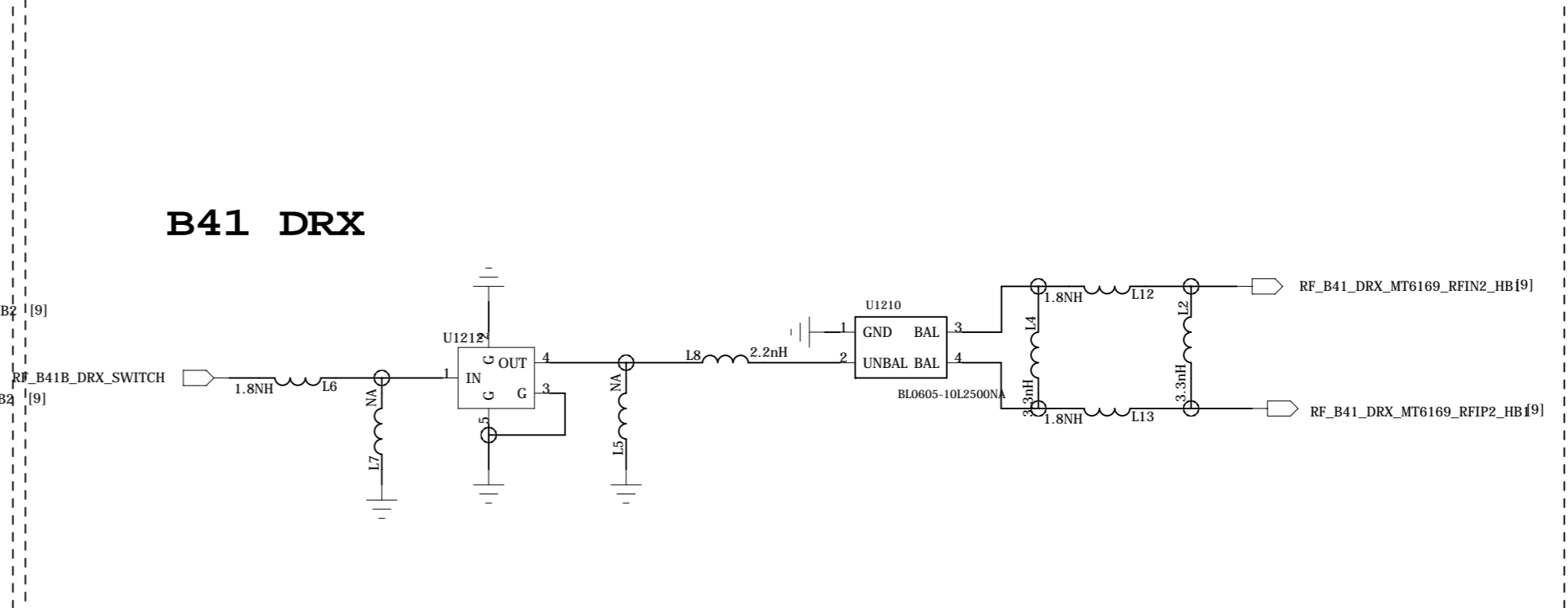
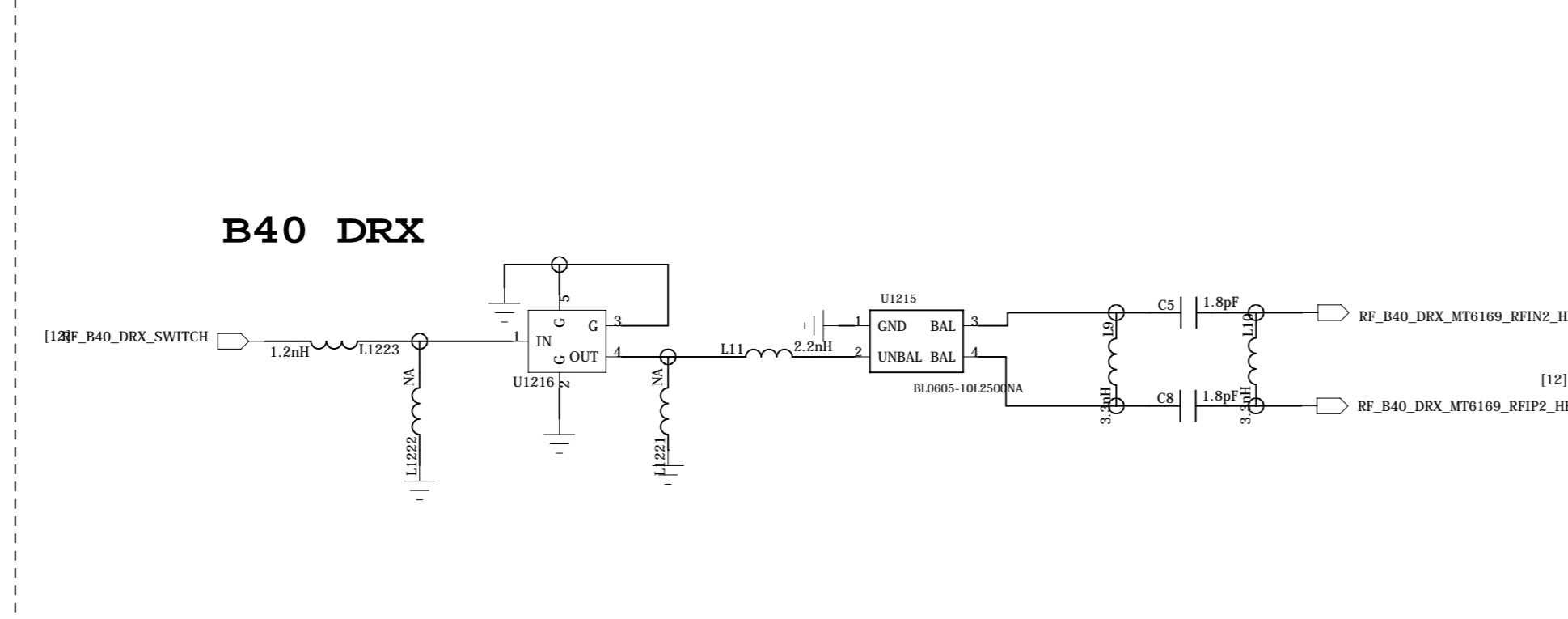
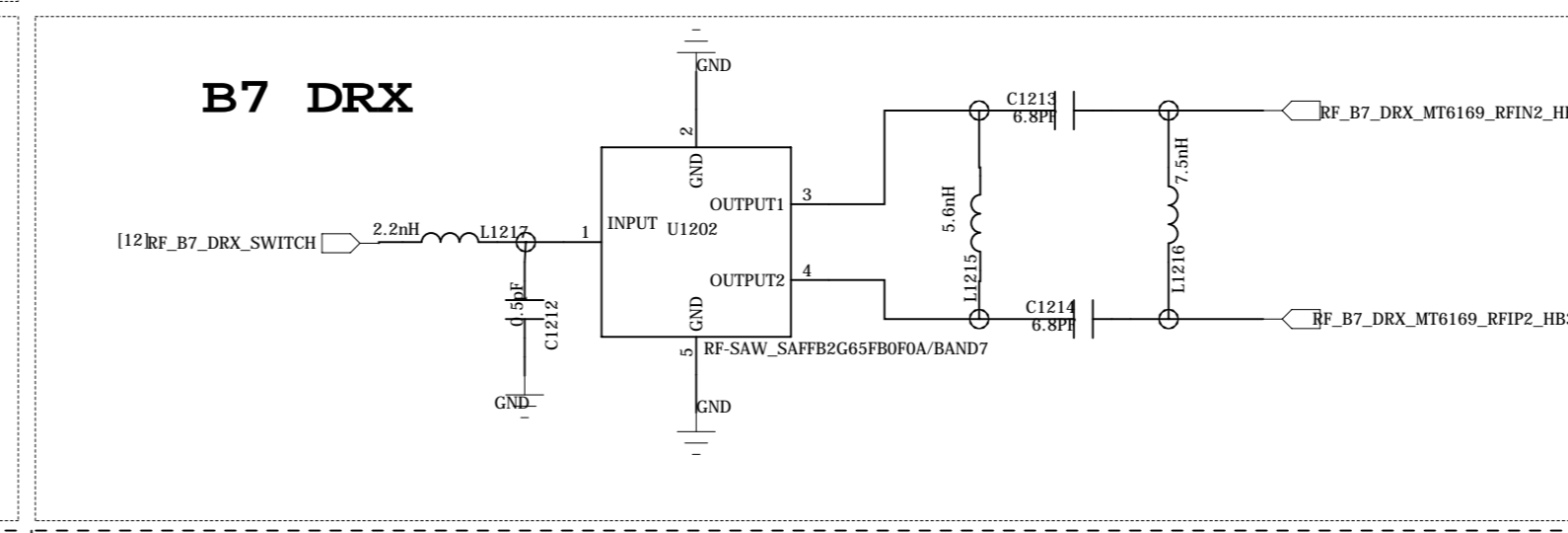
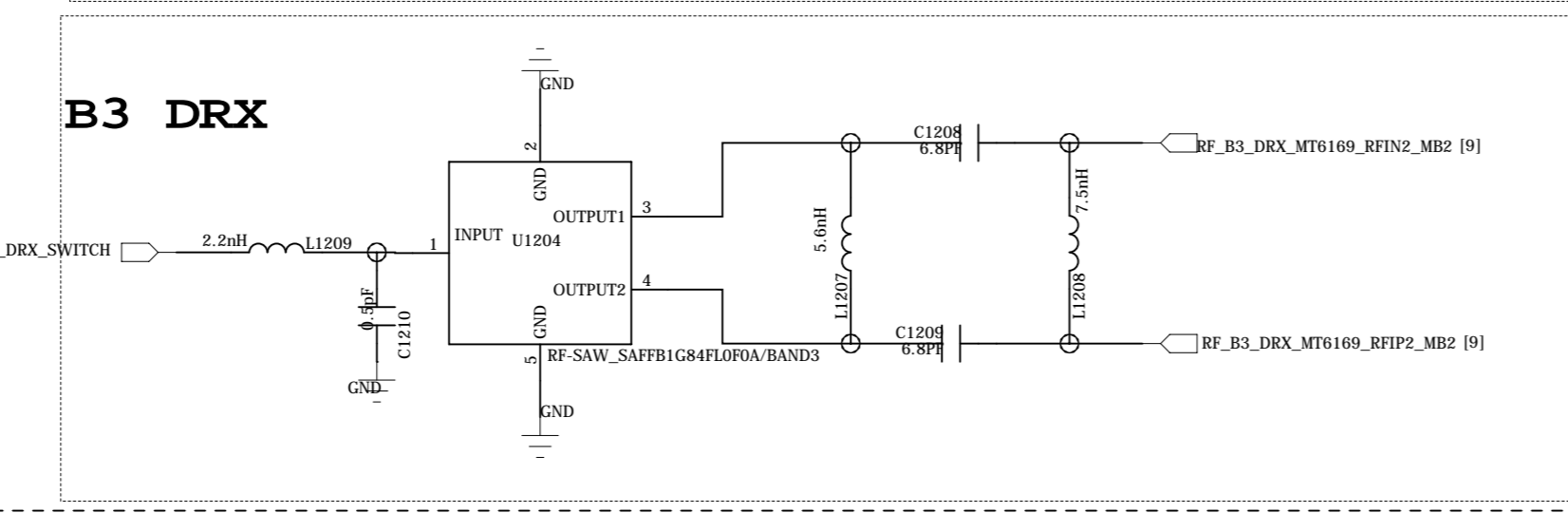
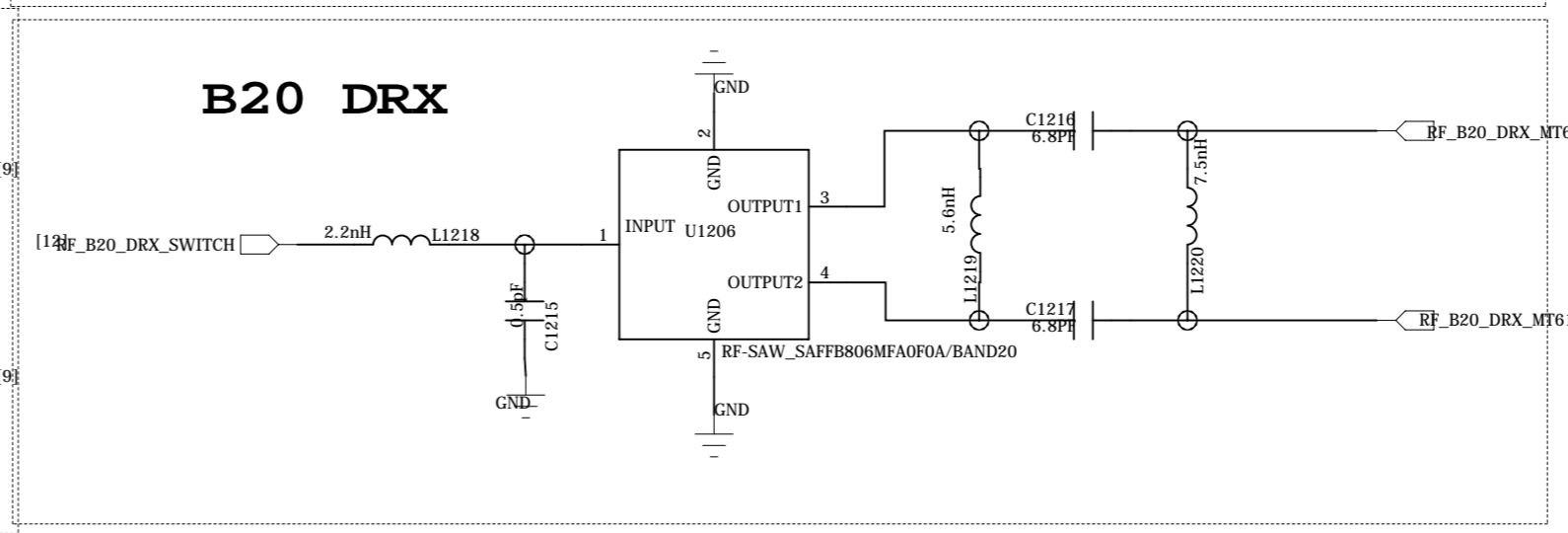
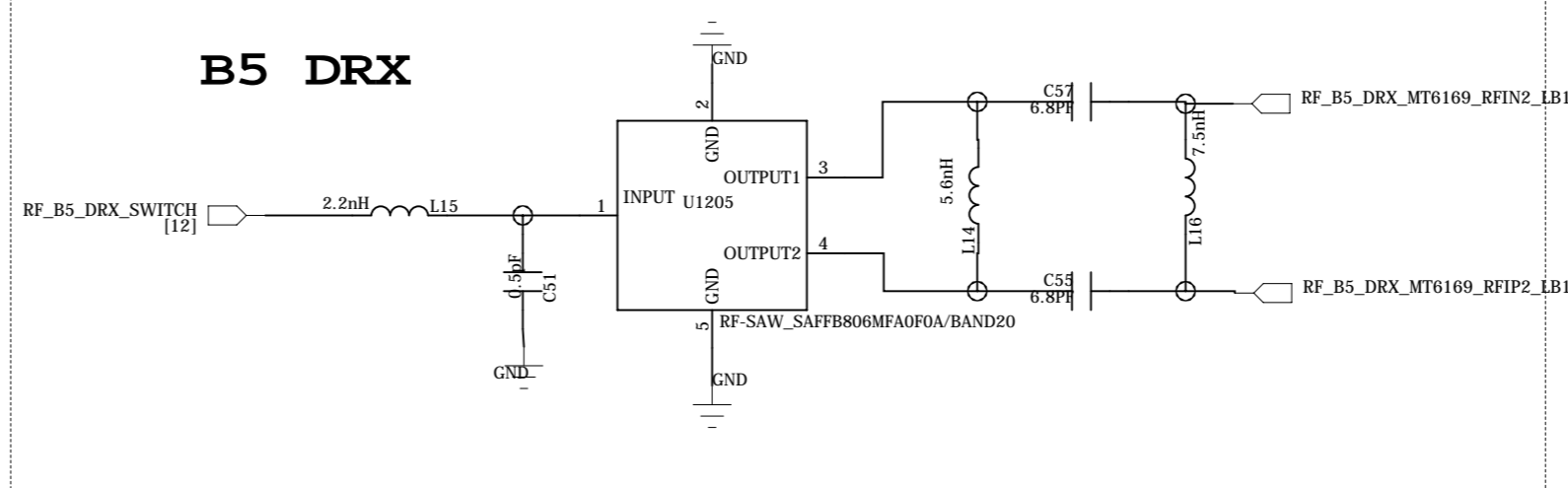
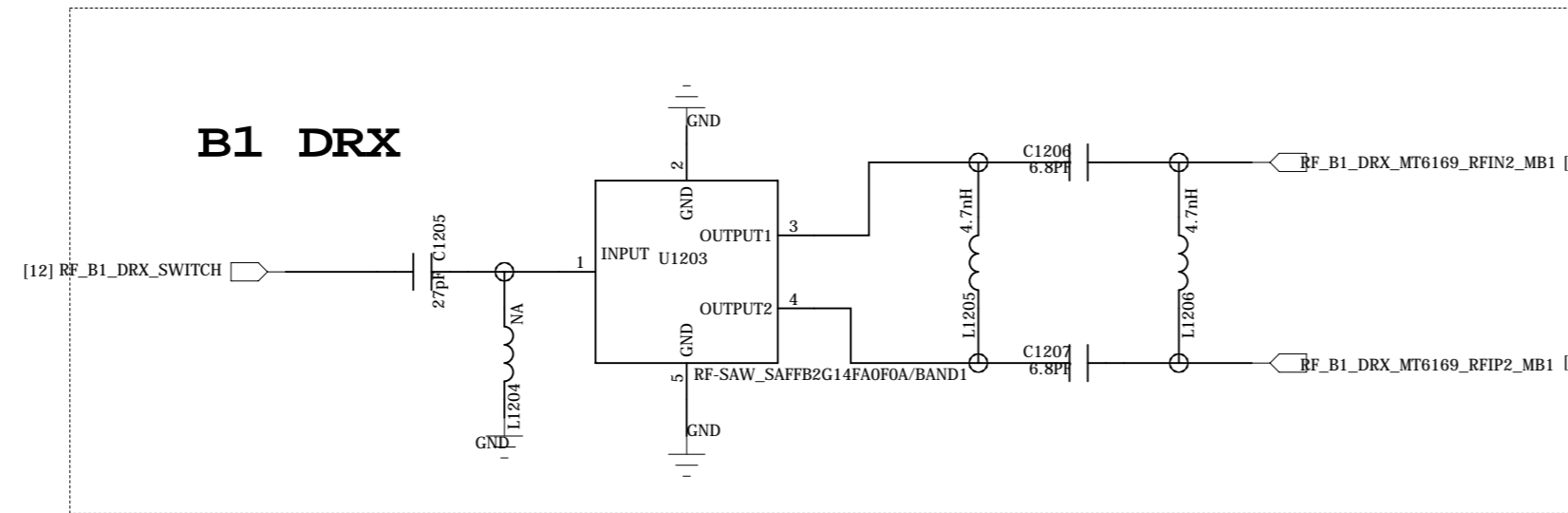
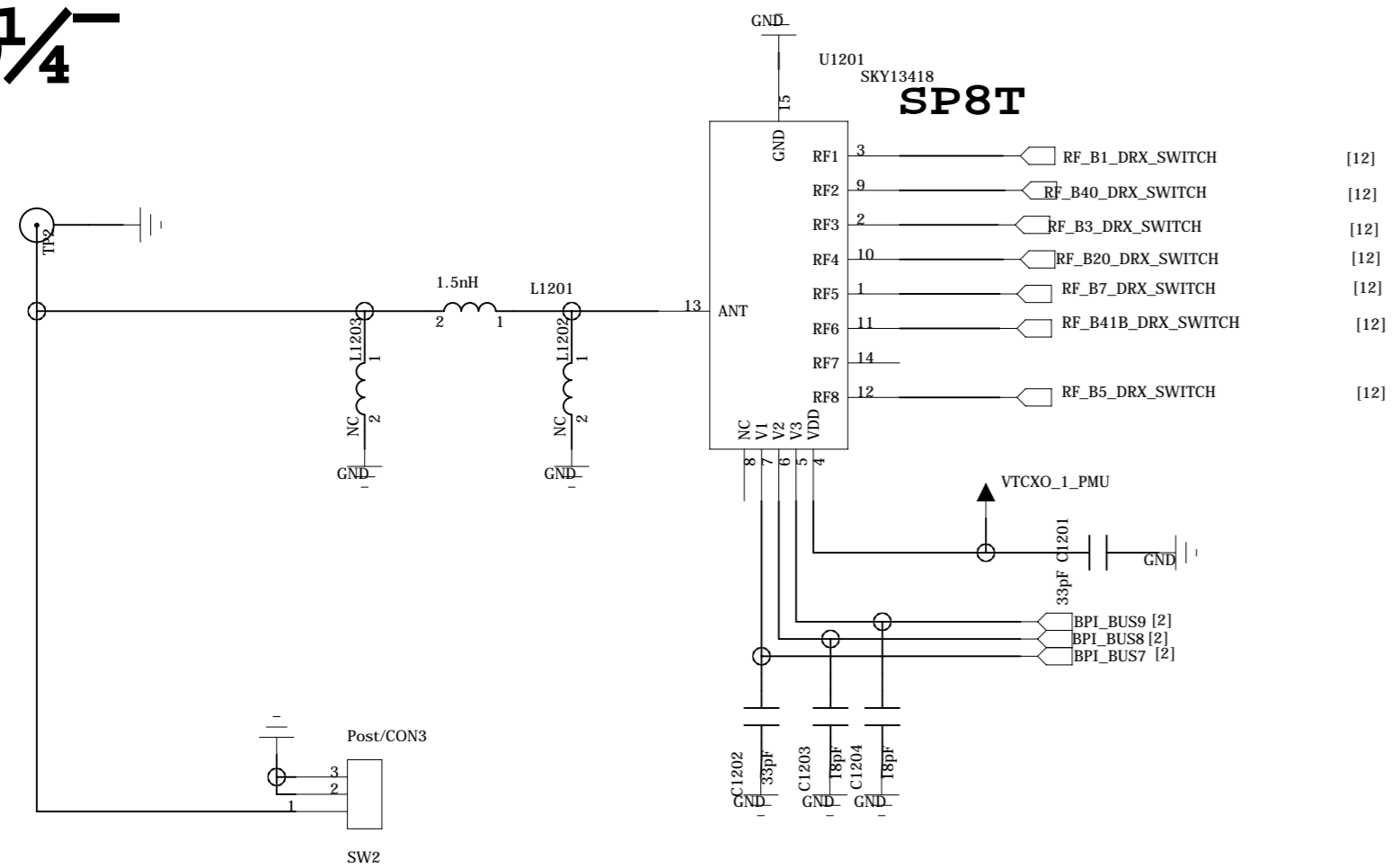


COMPANY: **HYMOST communications, Inc.**

TITLE: **E01\_MB\_V1.01**

DRAWN:	DATED:	CODE:	SIZE:	DRAWING NO:	REV:
yinsun	2012-0802	1.0	A1	MT6572	V1.01
CHECKED:	DATED:	SCALE: 1.0			
<Checked By>	2012-0802	SHEET: 11 OF 16			
QUALITY CONTROL:	DATED:				
<QC By>	2012-0802				
RELEASED:	DATED:				
<Released By>	2012-0802				

REVISION RECORD			
LTR	ECO NO.	APPROVED:	DATE:

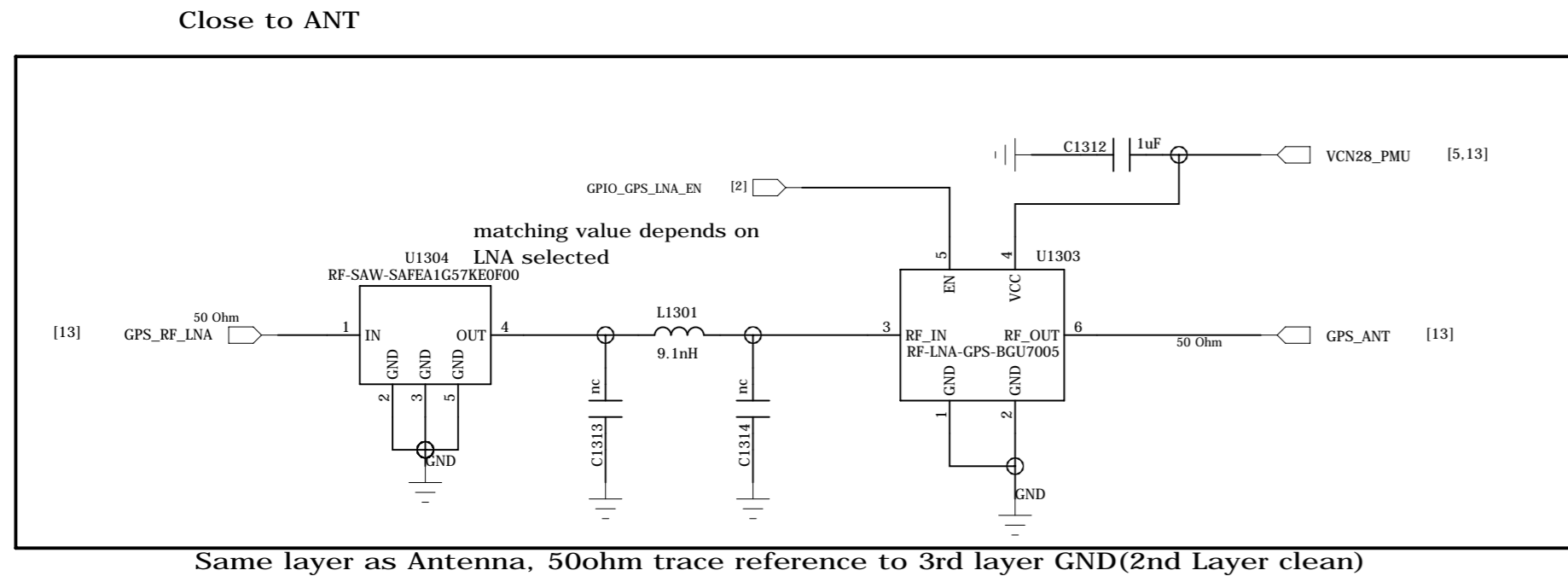
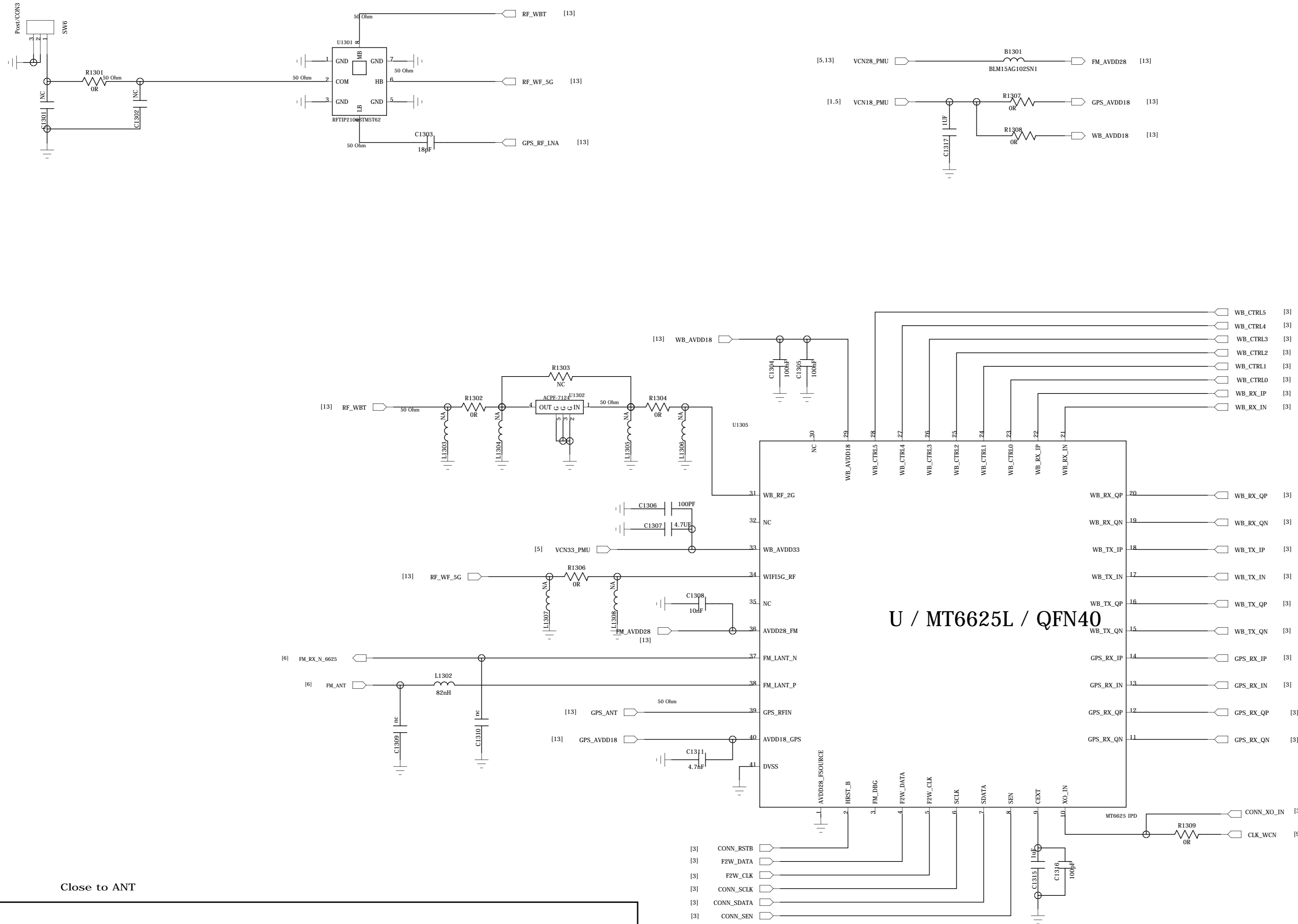


COMPANY: HYMOST communications, Inc.

TITLE: E01\_MB\_V1.01

DRAWN: yinsun	DATED: 2012-0802	CODE: 1.0	SIZE: A1	DRAWING NO: MT6572	REV: V1.01
CHECKED: <Checked By>	DATED: 2012-0802	SCALE: 1.0		SHEET: 12 OF 16	
QUALITY CONTROL: <QC By>	DATED: 2012-0802				
RELEASED: <Released By>	DATED: 2012-0802				

REVISION RECORD			
LTR	ECD NO.	APPROVED:	DATE:



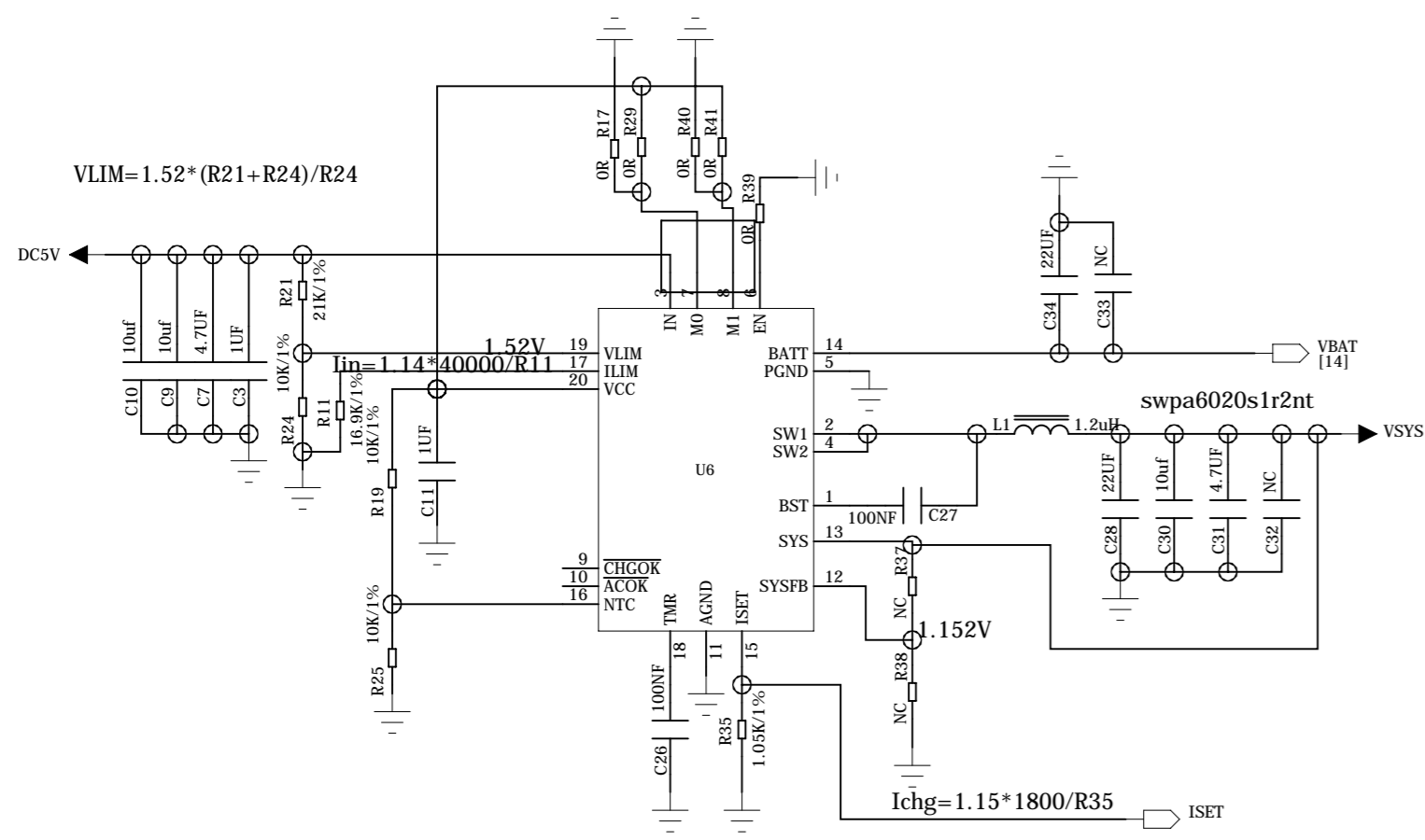
COMPANY: HYMOST communications, Inc.

TITLE: E01\_MB\_V1.01

DRAWN: yinsun	DATED: 2012-0802	CODE: 1.0	SIZE: A1	DRAWING NO: MT6572	REV: V1.01
CHECKED: <Checked By>	DATED: 2012-0802	SCALE: 1.0		SHEET: 13 OF 16	
QUALITY CONTROL: <QC By>	DATED: 2012-0802				
RELEASED: <Released By>	DATED: 2012-0802				

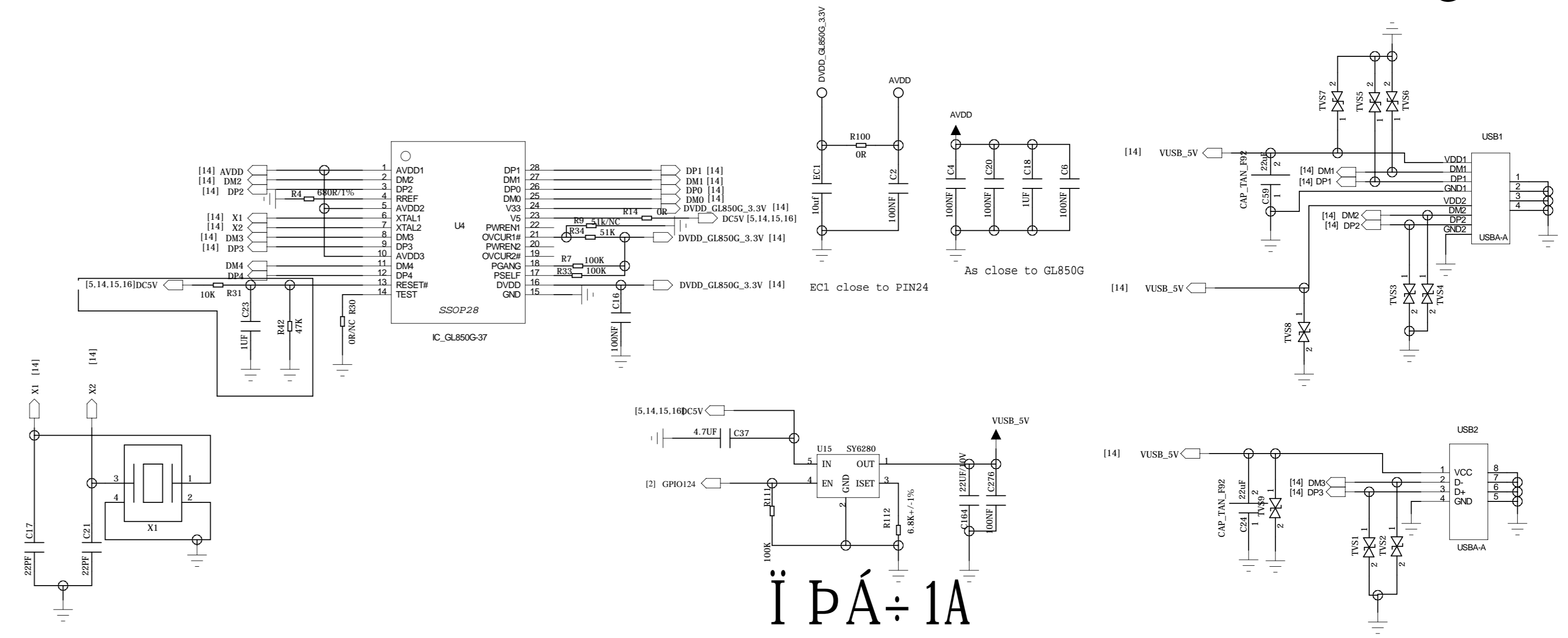
REVISION RECORD			
LTR	ECO NO.	APPROVED:	DATE

# DC5V x a » » Î a Ð¾¼Æ-¿ a » úμçÑ¹



# USB Ò» Í ï 4

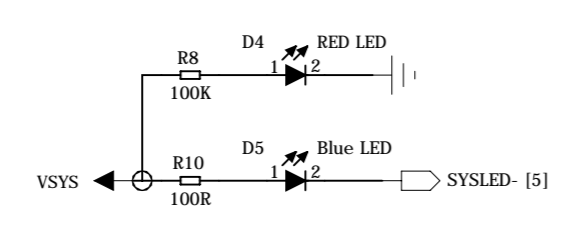
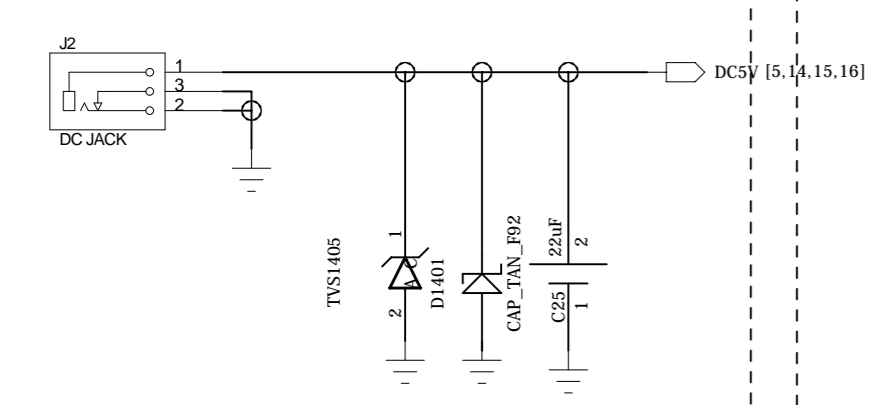
# 3, öUSB-HUB¿ Ú



# Ï ÐÁ÷ 1A

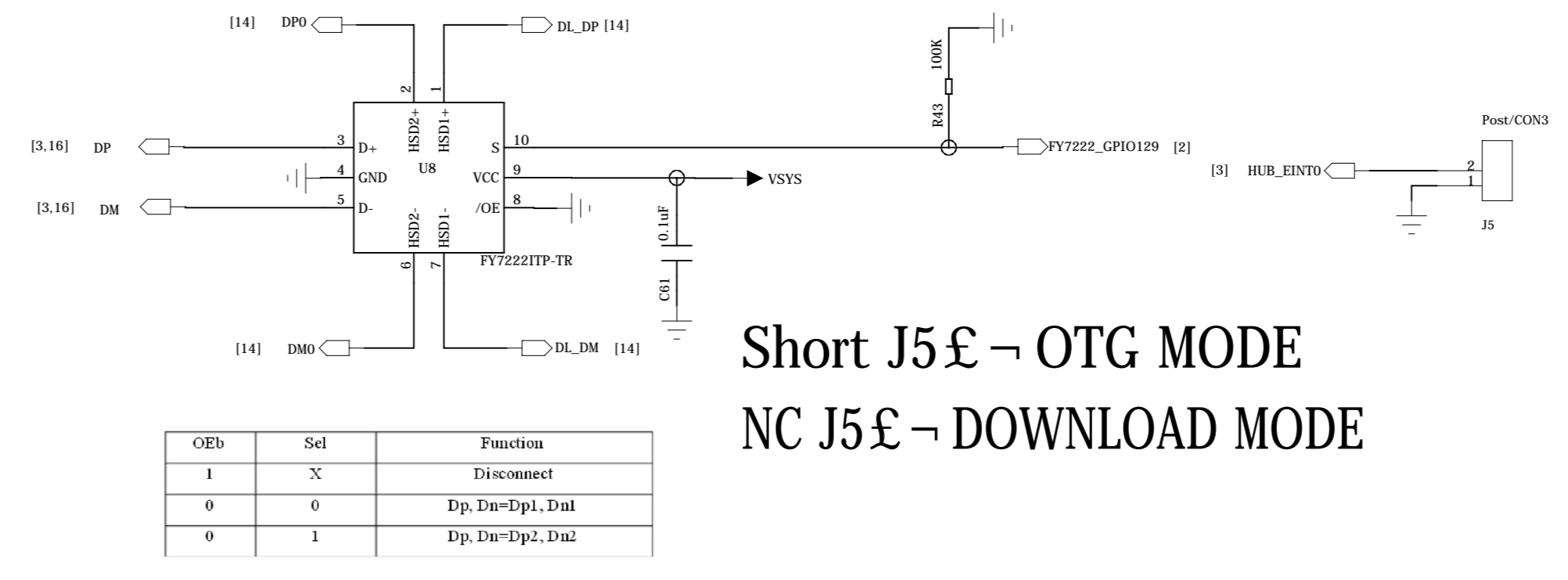
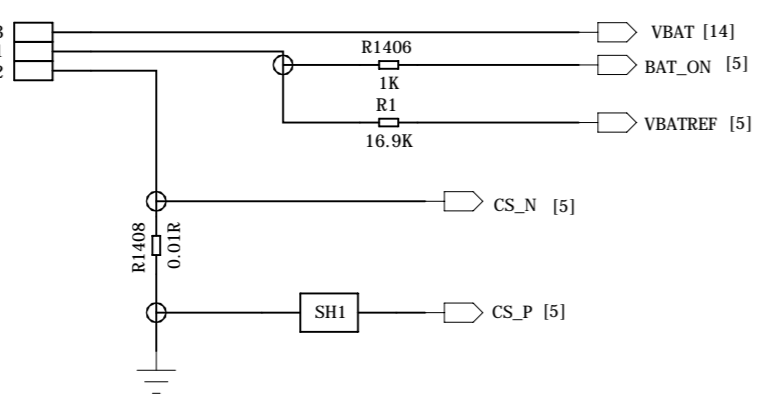
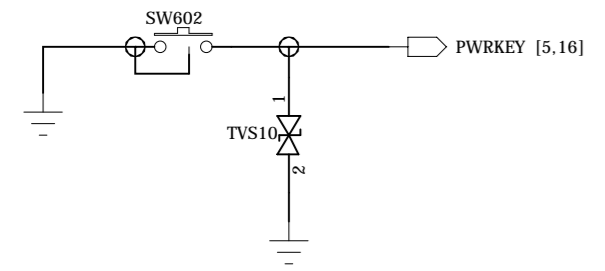
# DC5V ¹ ©μç

# D4Æ-Ö±° áÉÏ μçÖ, È¾μÆ D5Æ-¿ a » úÖ, È¾μÆ



# POWER ON/OFF

# BATTERYμç³ Øÿ³ ö°, ÆÏ μã



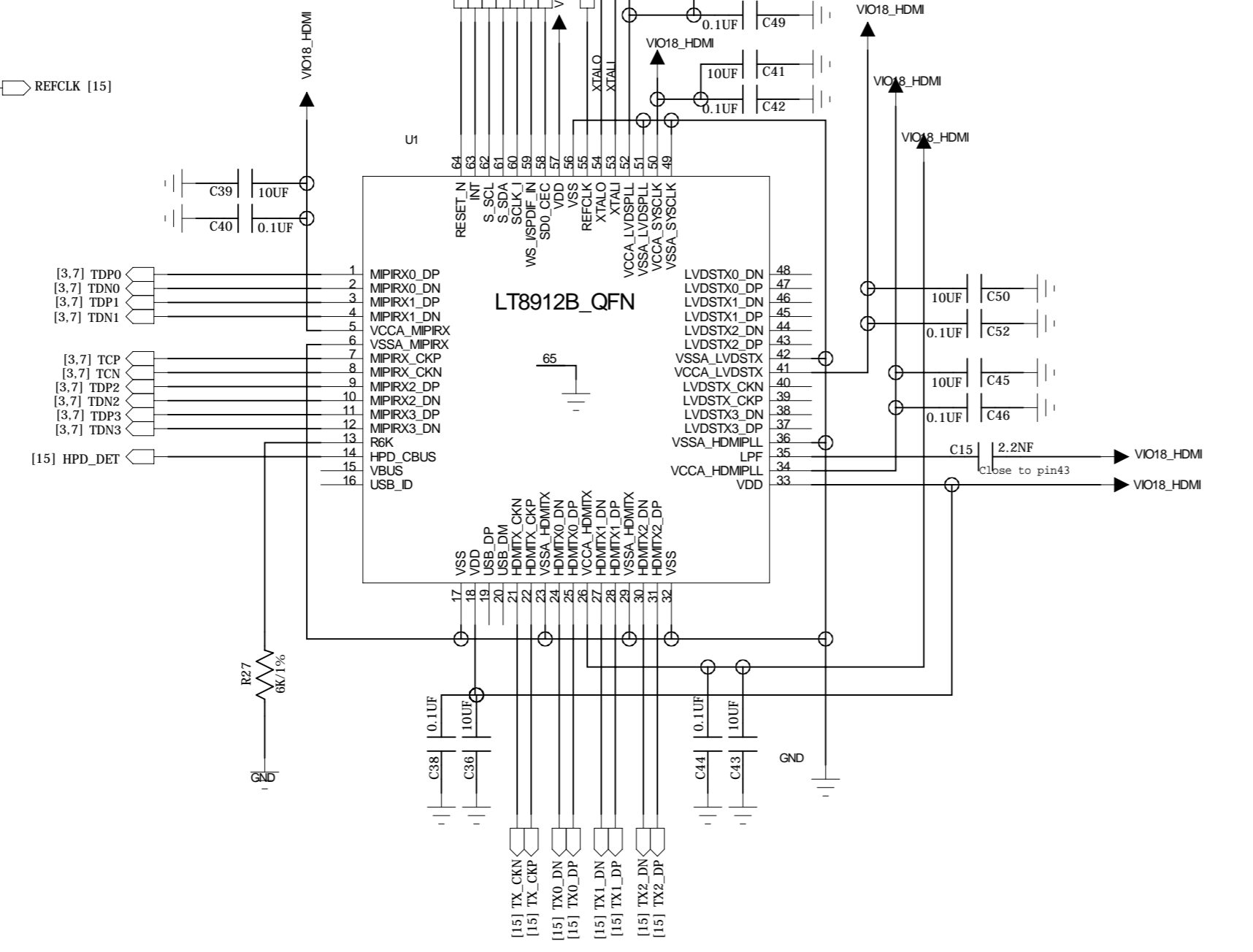
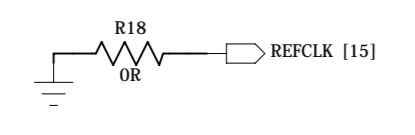
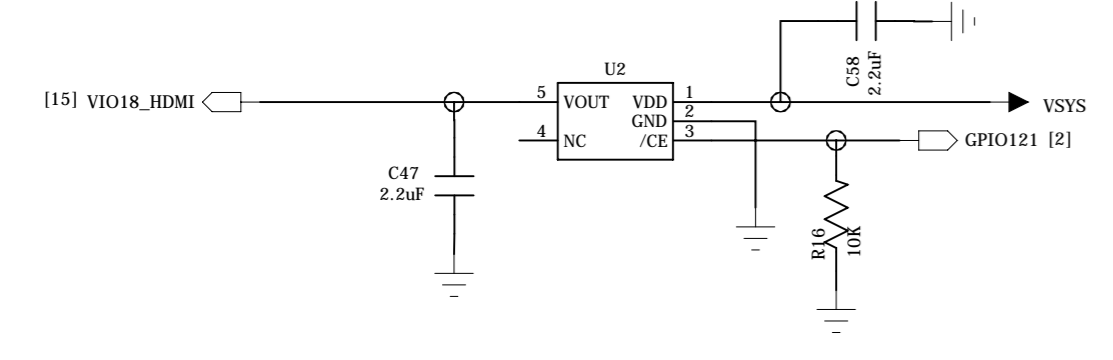
OEB	Sel	Function
1	X	Disconnect
0	0	Dp, Dn=Dp1, Dn1
0	1	Dp, Dn=Dp2, Dn2

# Mirco-USB (Ï ÂÔØ/¹ ©μç)

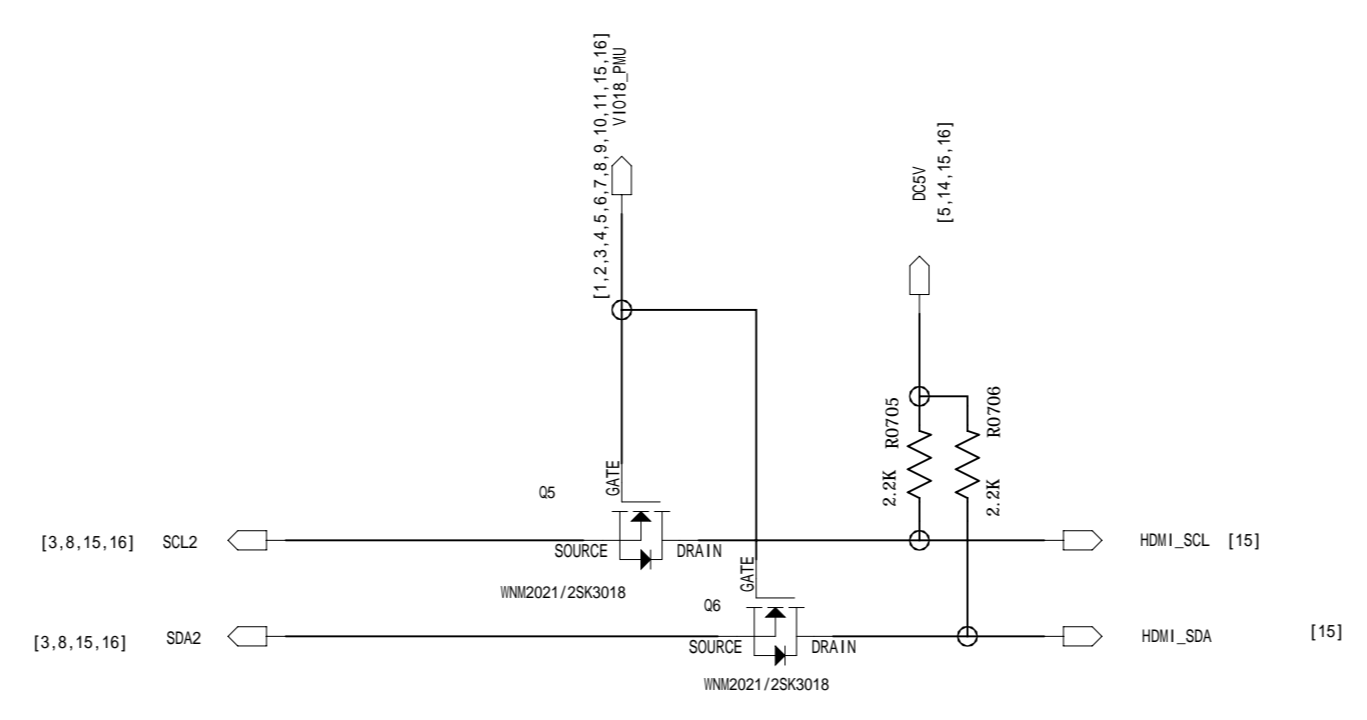
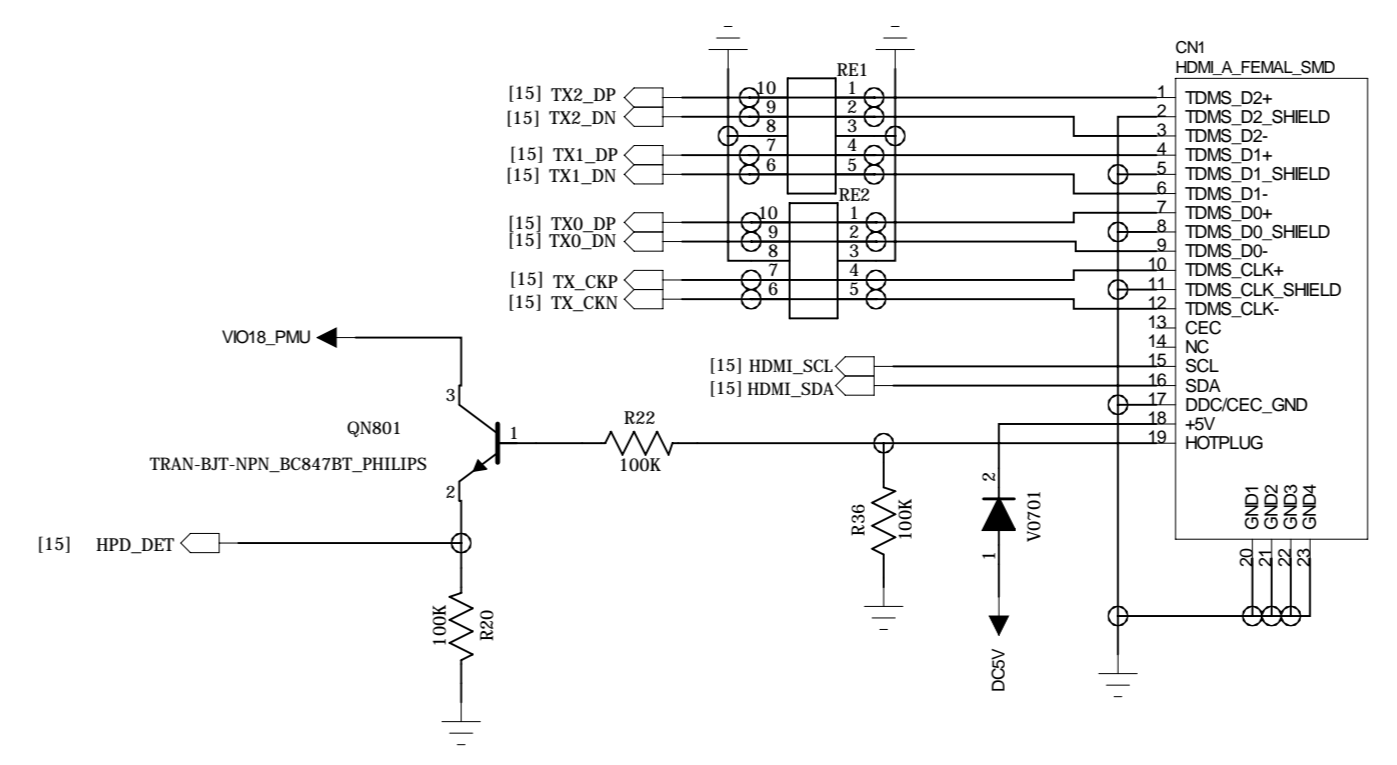
COMPANY: HYMOST communications, Inc.				
TITLE: E01_MB_V1.01				
DRAWN: yinsun	DATED: 2012-0802	CODE: 1.0	SIZE: A1	DRAWING NO: MT6572
CHECKED: <Checked By>	DATED: 2012-0802	SCALE: 1.0		REV: V1.01
QUALITY CONTROL: <QC By>	DATED: 2012-0802			
RELEASED: <Released By>	DATED: 2012-0802			
SHEET: 14 OF 16				

REVISION RECORD			
LTR	ECO NO.	APPROVED:	DATE

# AF6212-18C



DC5V ΟΕ , 0.0 ± 0.1 @ μς μÄ½Ö; ÜÖ± ½Ö¹ @ μς



COMPANY: HYMOST communications, Inc.

TITLE: E01\_MB\_V1.01

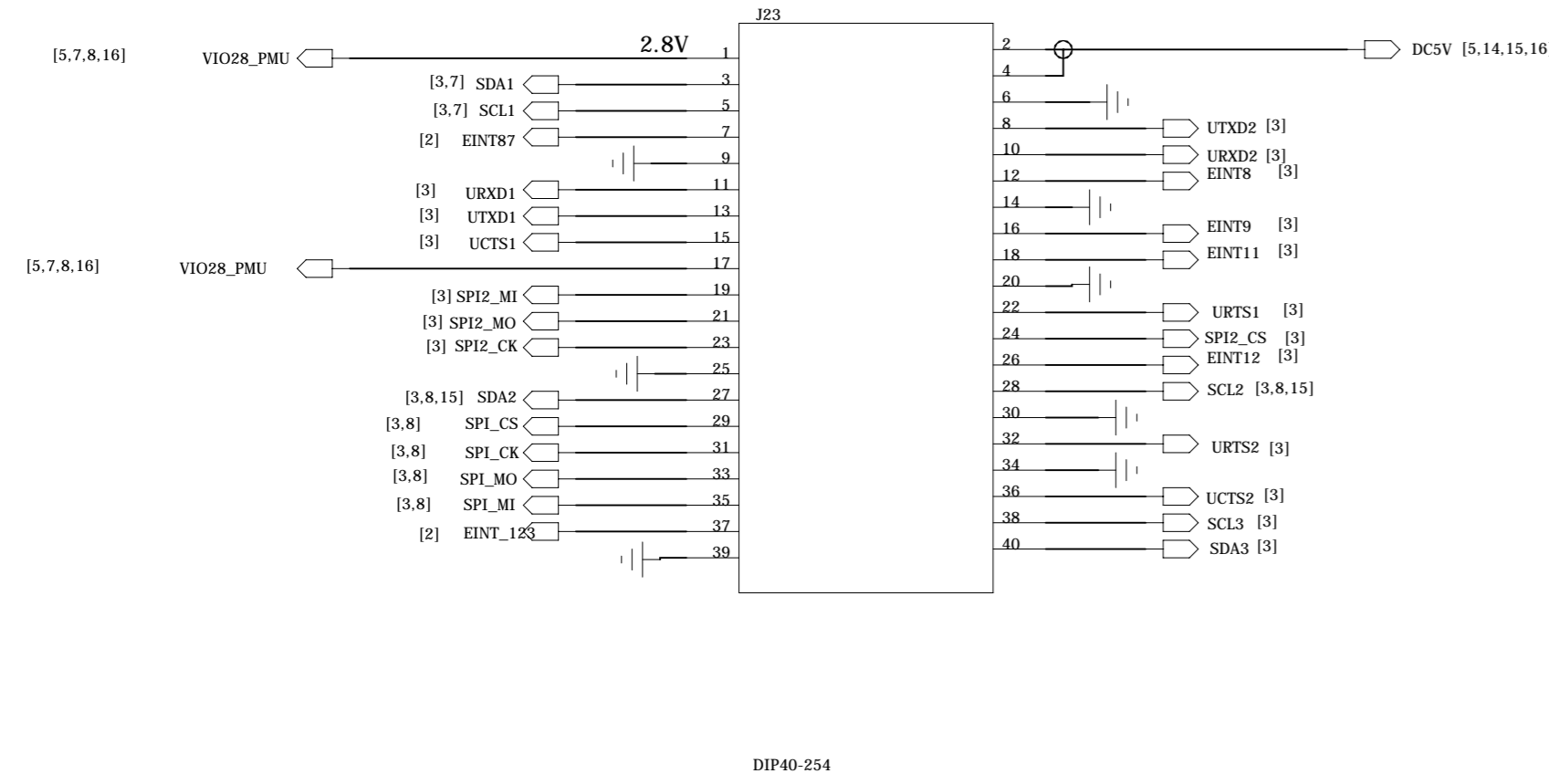
DRAWN:	DATE:	CODE:	SIZE:	DRAWING NO.:	REV.:
yinsun	2012-0802	1.0	A1	MT6572	V1.01
CHECKED:	DATE:				
<Checked By>	2012-0802				
QUALITY CONTROL:	DATE:				
<QC By>	2012-0802				
RELEASED:	DATE:				
<Released By>	2012-0802				

SCALE: 1.0 SHEET: 15 OF 16

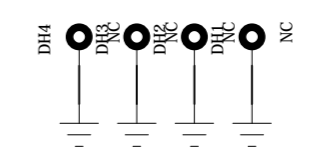
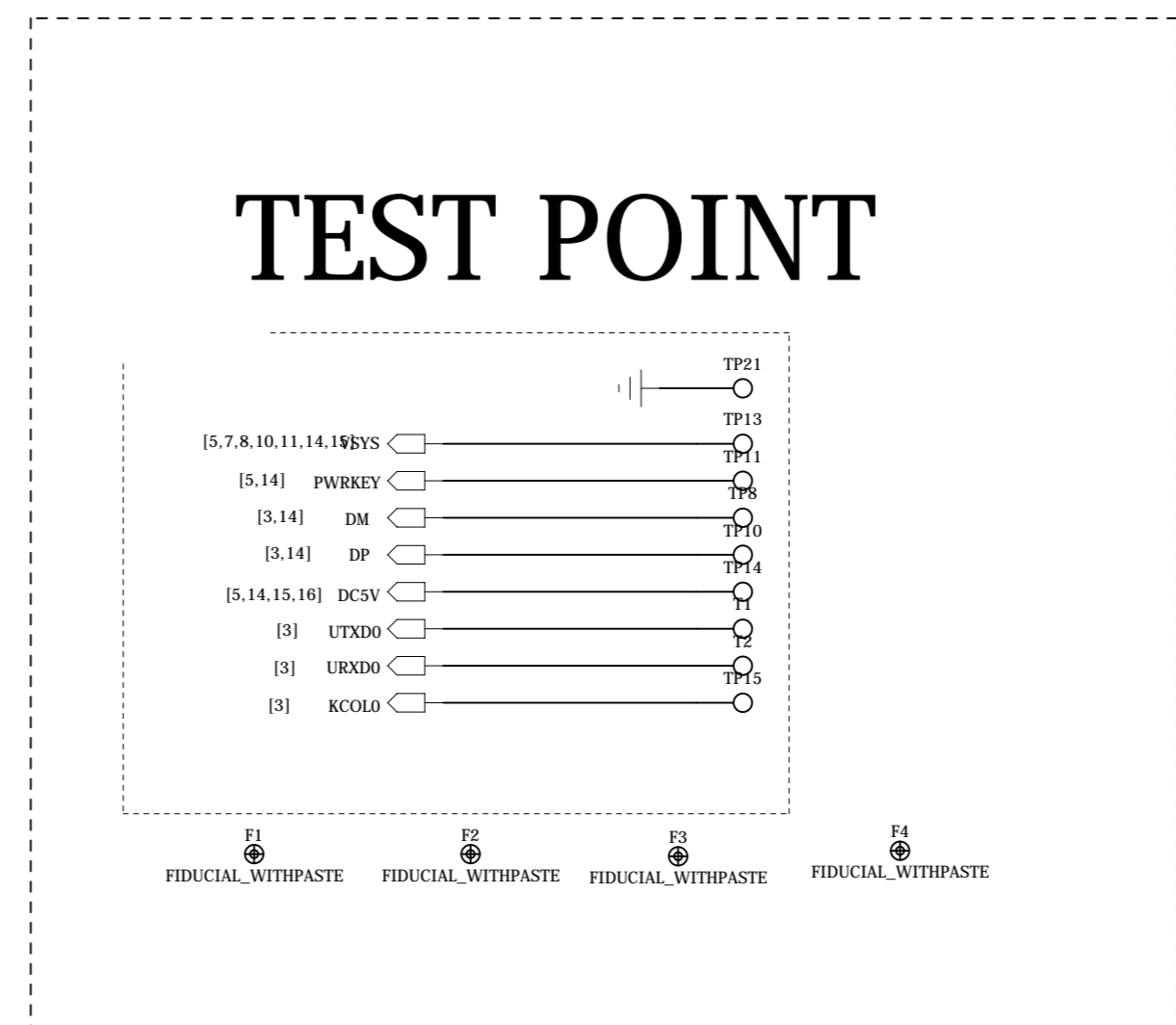
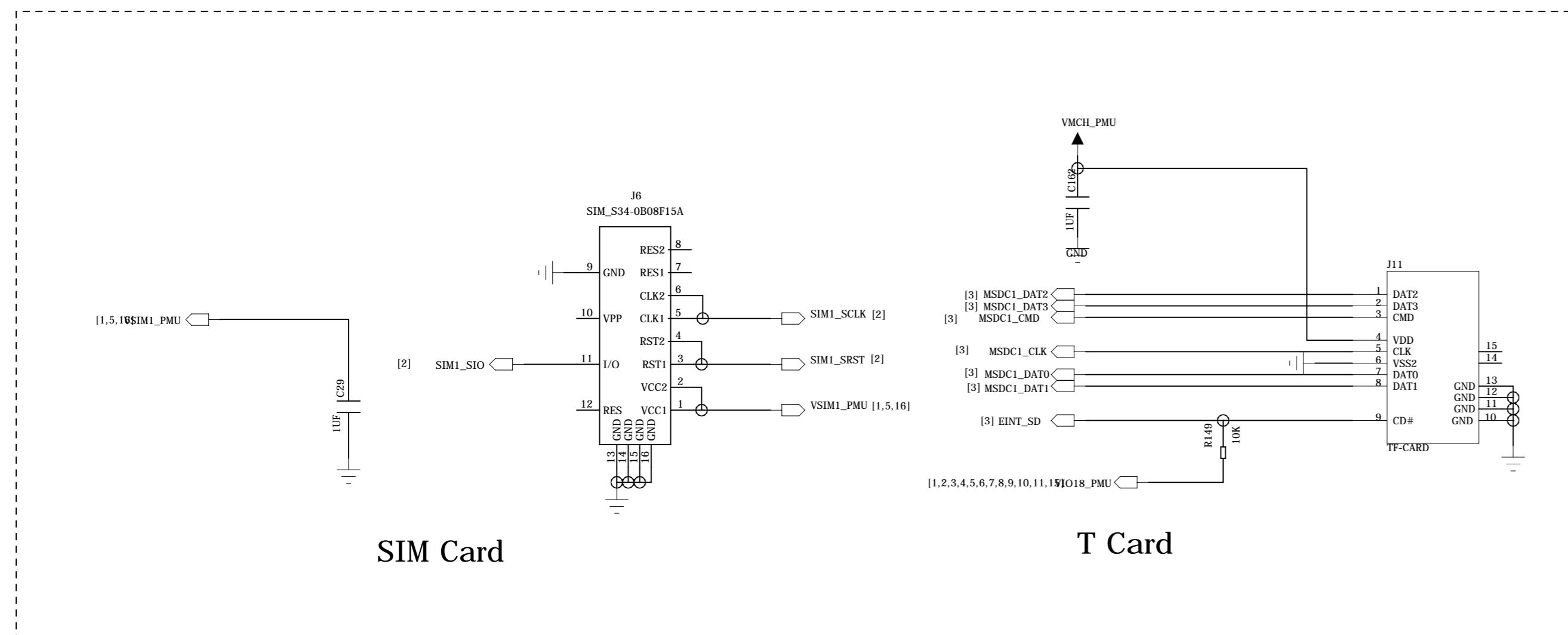


REVISION RECORD			
LTR	ECO NO.	APPROVED:	DATE:

# EXPORT



2x é SPI; 2x é UART; 3x é I2C; Ê ý , ö GPIO



COMPANY: HYMOST communications, Inc.				
TITLE: E01_MB_V1.01				
DRAWN: yinsun	DATED: 2012-0802	CODE: 1.0	SIZE: A1	DRAWING NO: MT6572
CHECKED: <Checked By>	DATED: 2012-0802	REV: V1.01		
QUALITY CONTROL: <QC By>	DATED: 2012-0802			
RELEASED: <Released By>	DATED: 2012-0802	SCALE: 1.0	SHEET: 16 OF 16	