

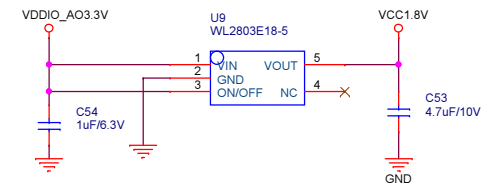
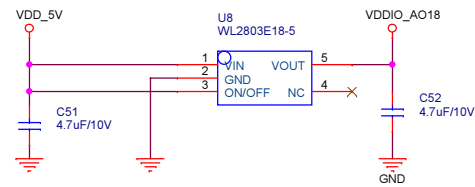
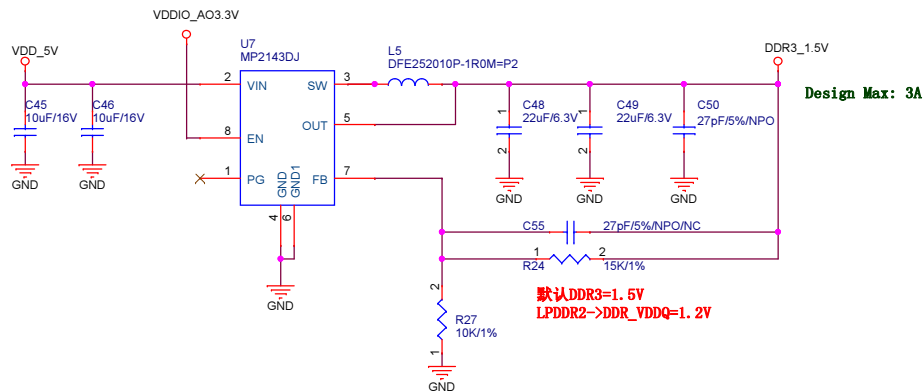
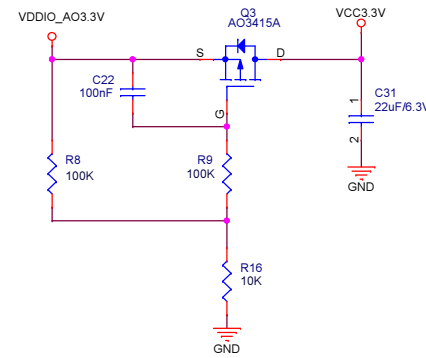
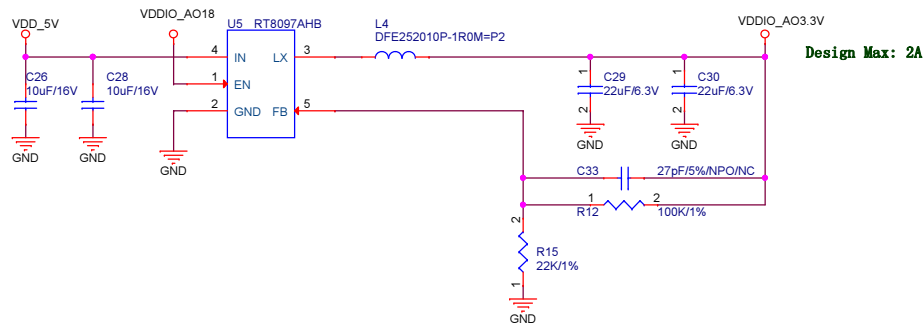
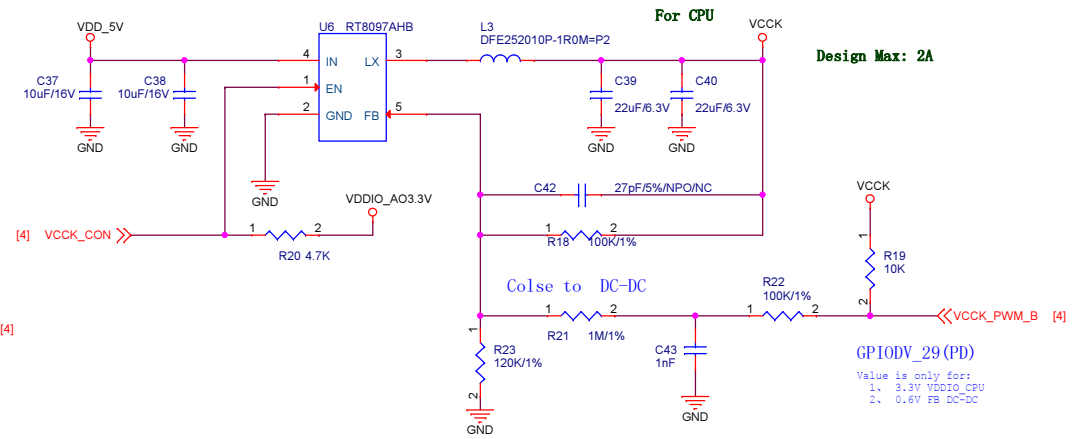
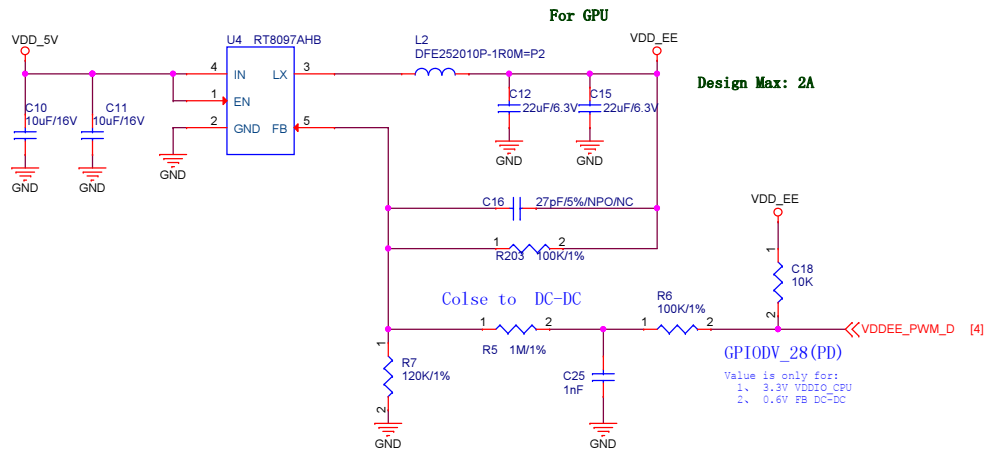
NanoPi K2

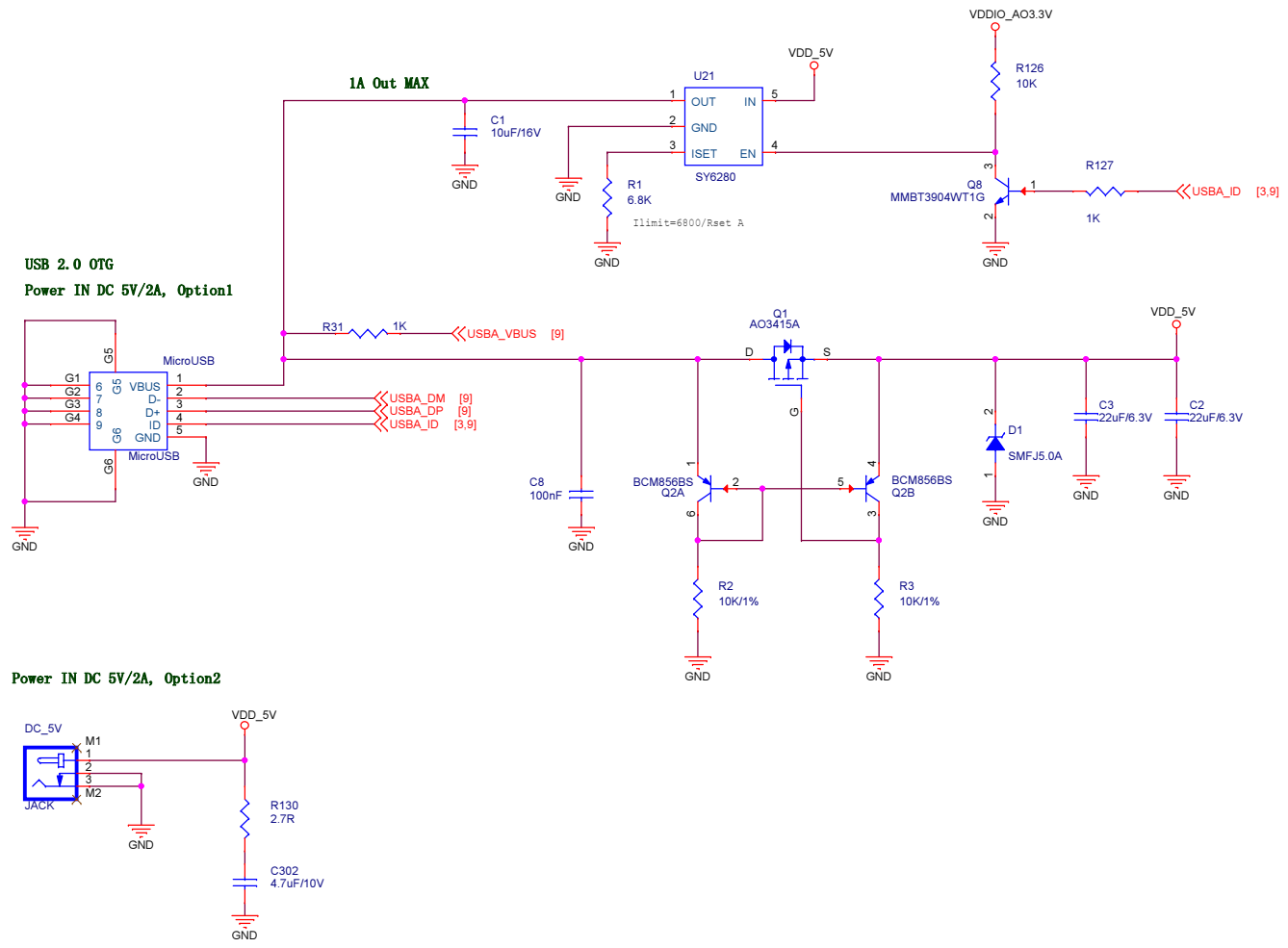
Revision

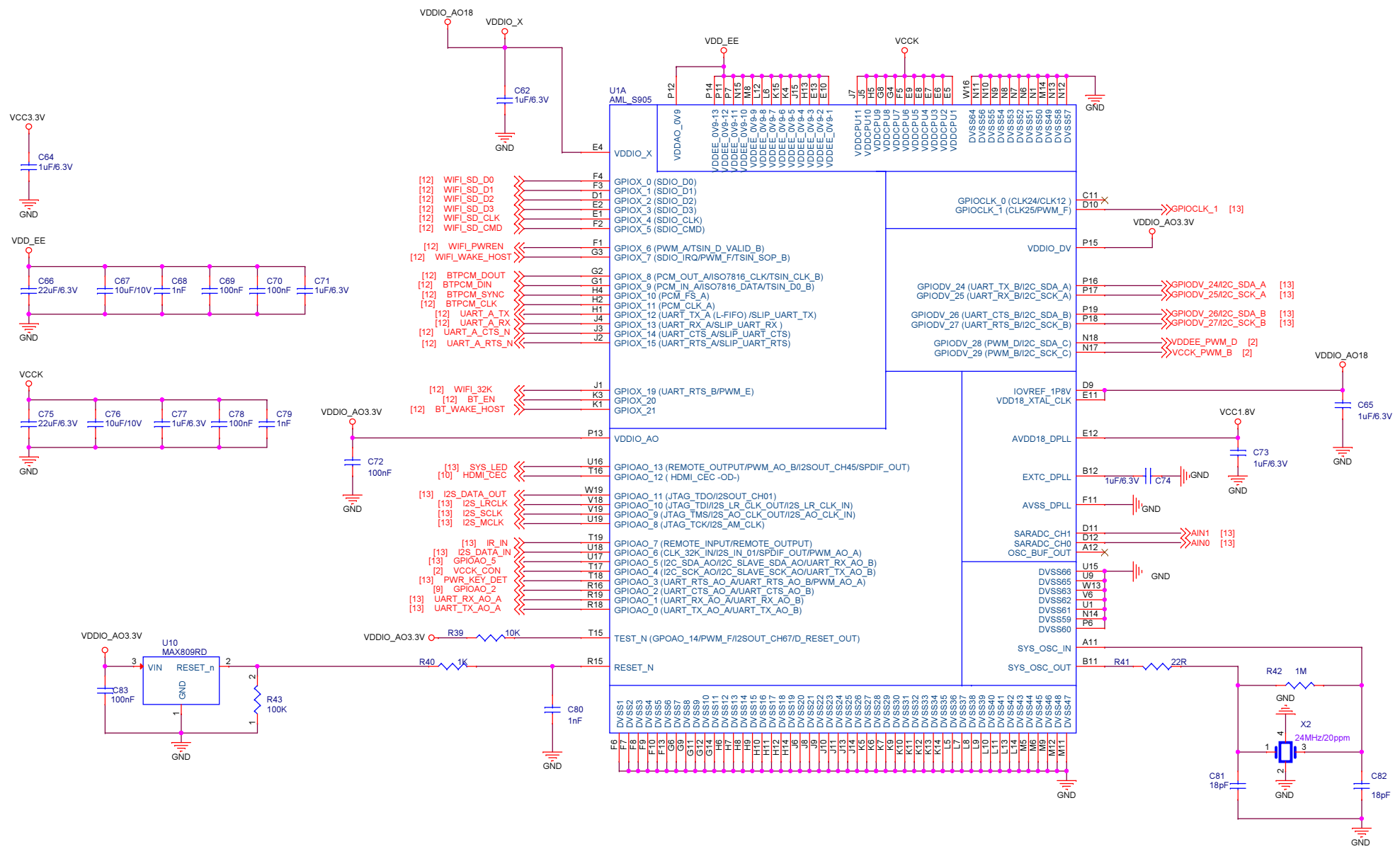
1701 , First Release

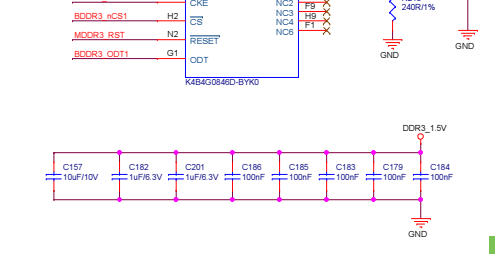
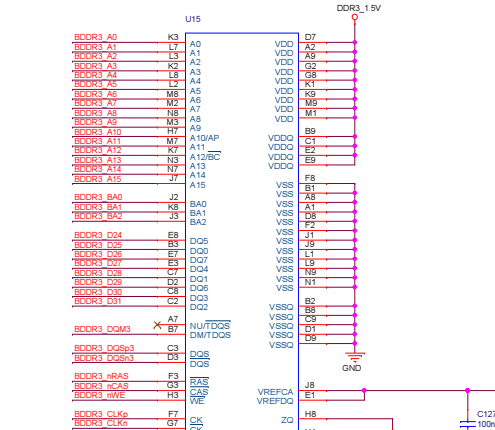
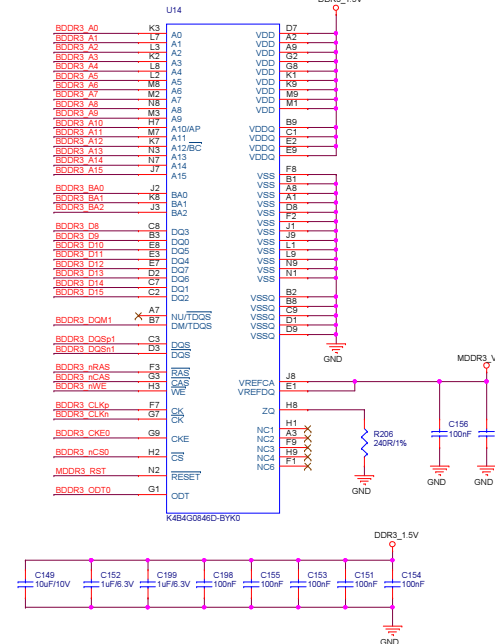
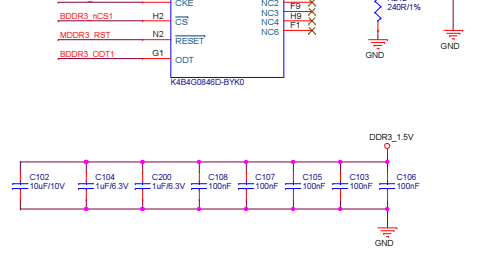
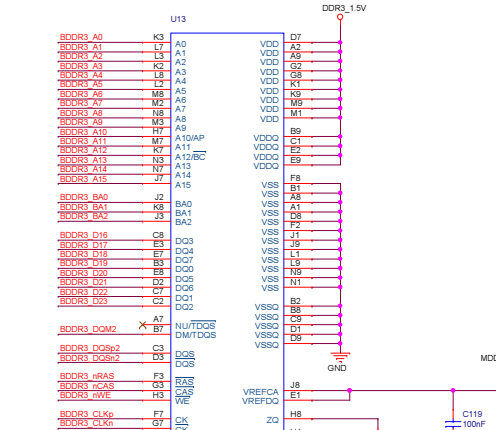
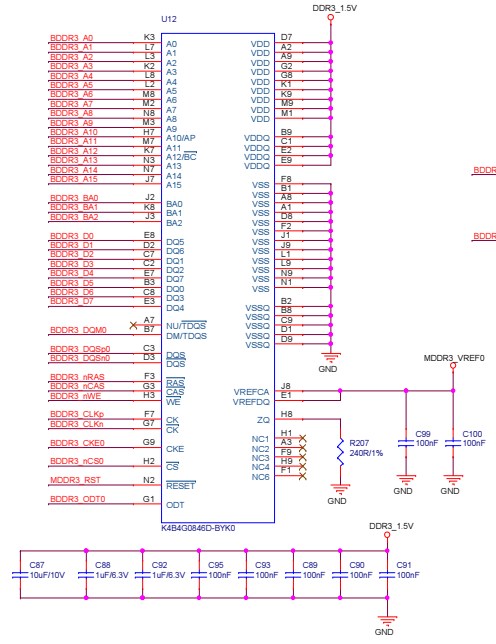
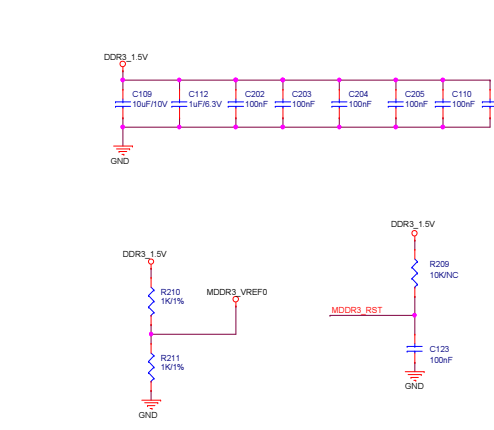
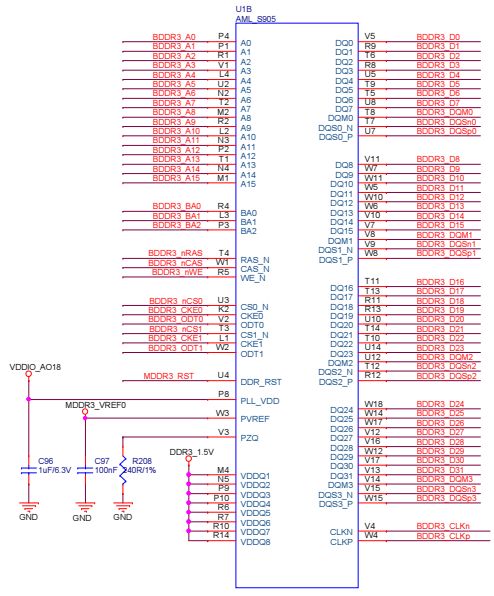


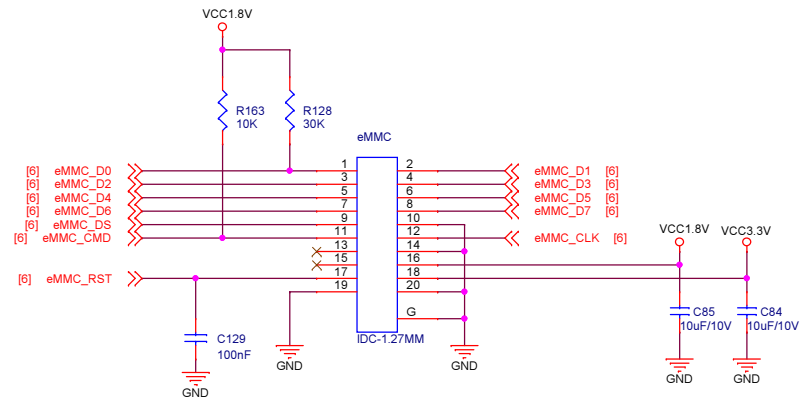
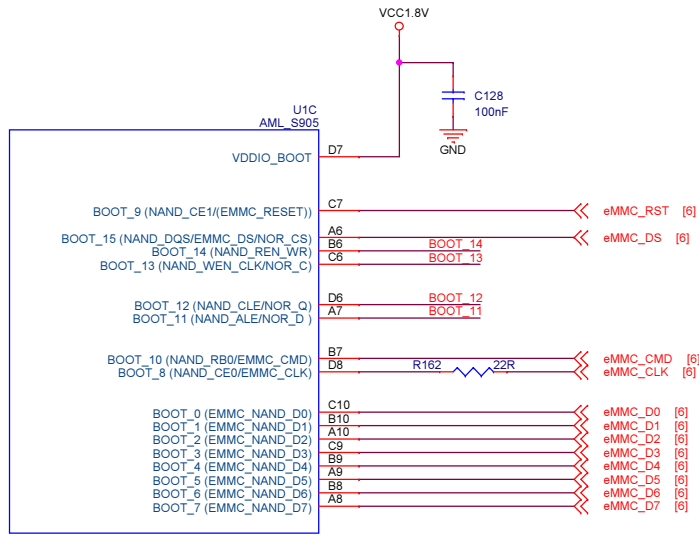
| | | |
|------------|-----------------------------|---------------|
| NanoPi K2 | | |
| Size A3 | Document Number 01:Title | Rev 1701 |
| Date: | Friday, April 07, 2017 | Sheet 1 of 13 |



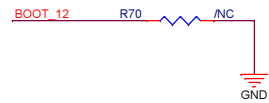
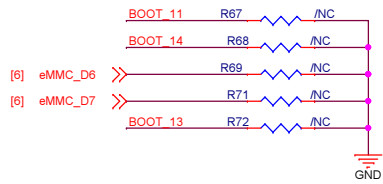






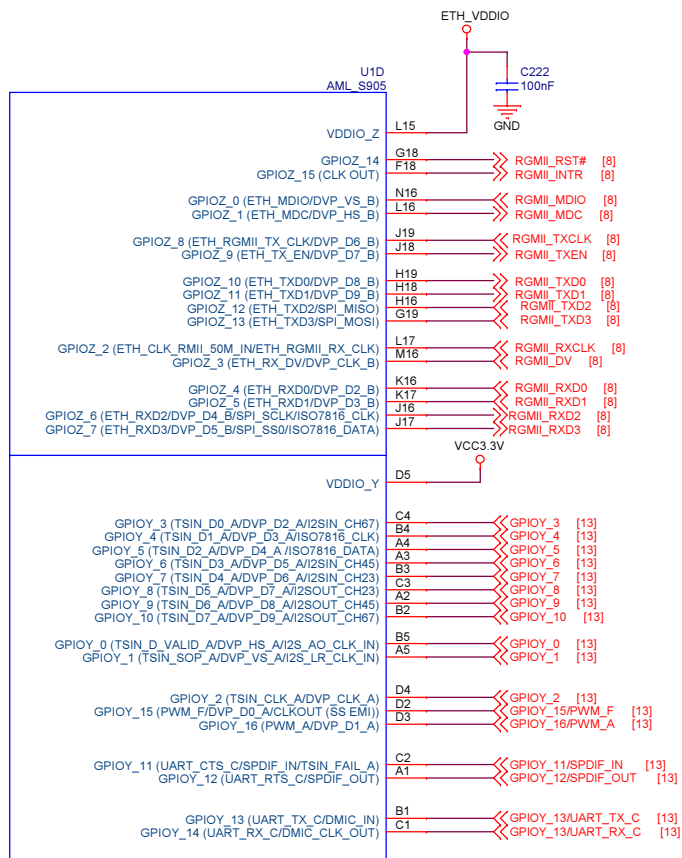


SDIO/eMMC Connector

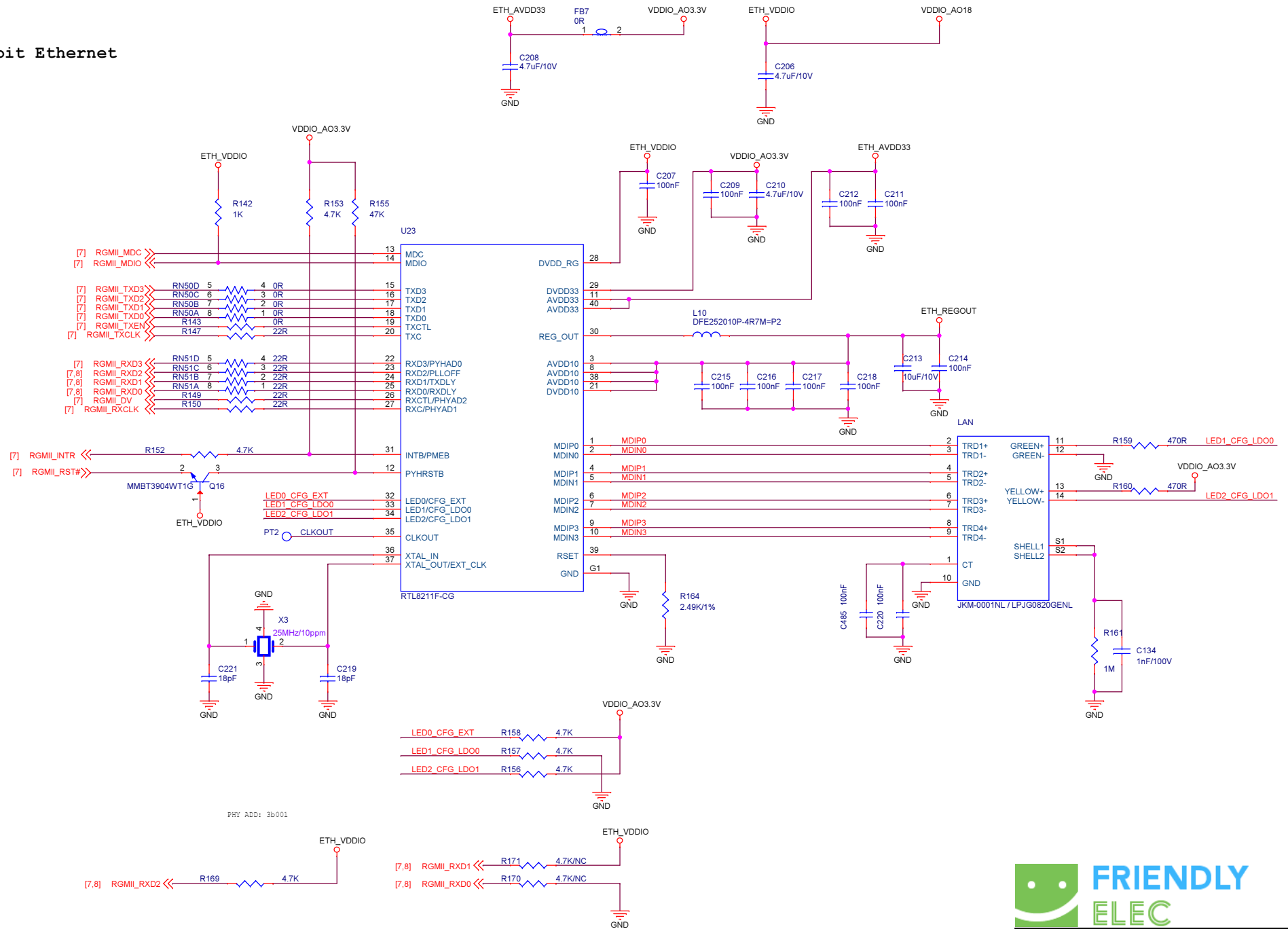


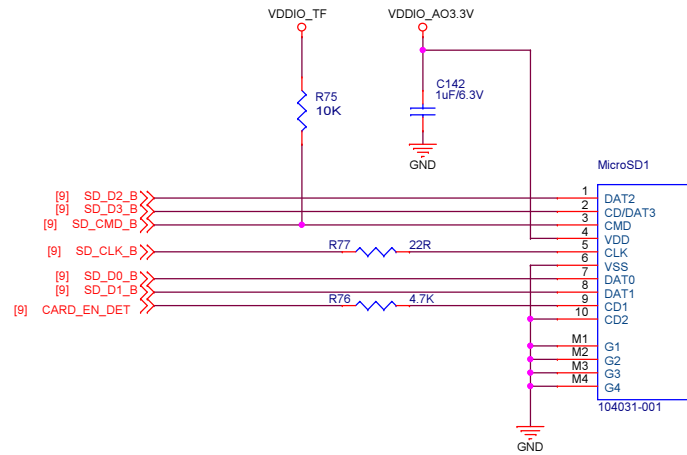
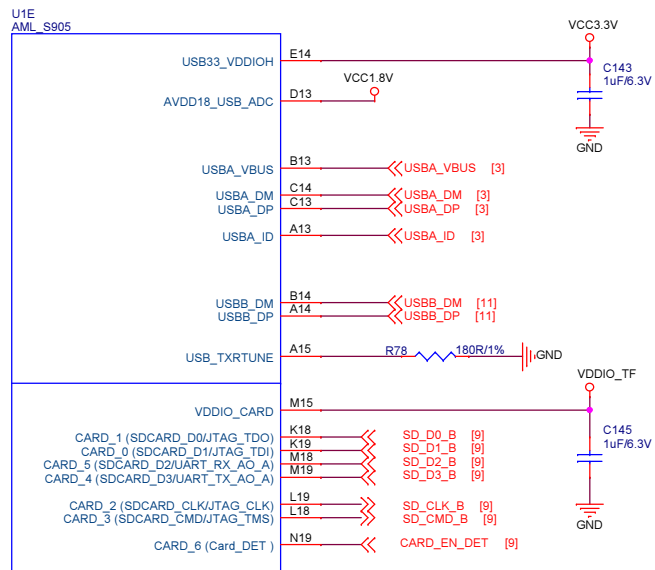
NAND_CLE
 1 = boot from NAND/eMMC
 0 = boot from SPI



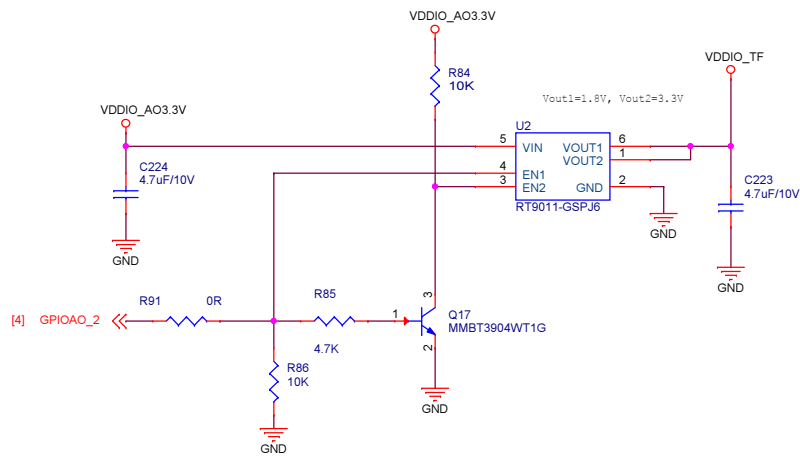


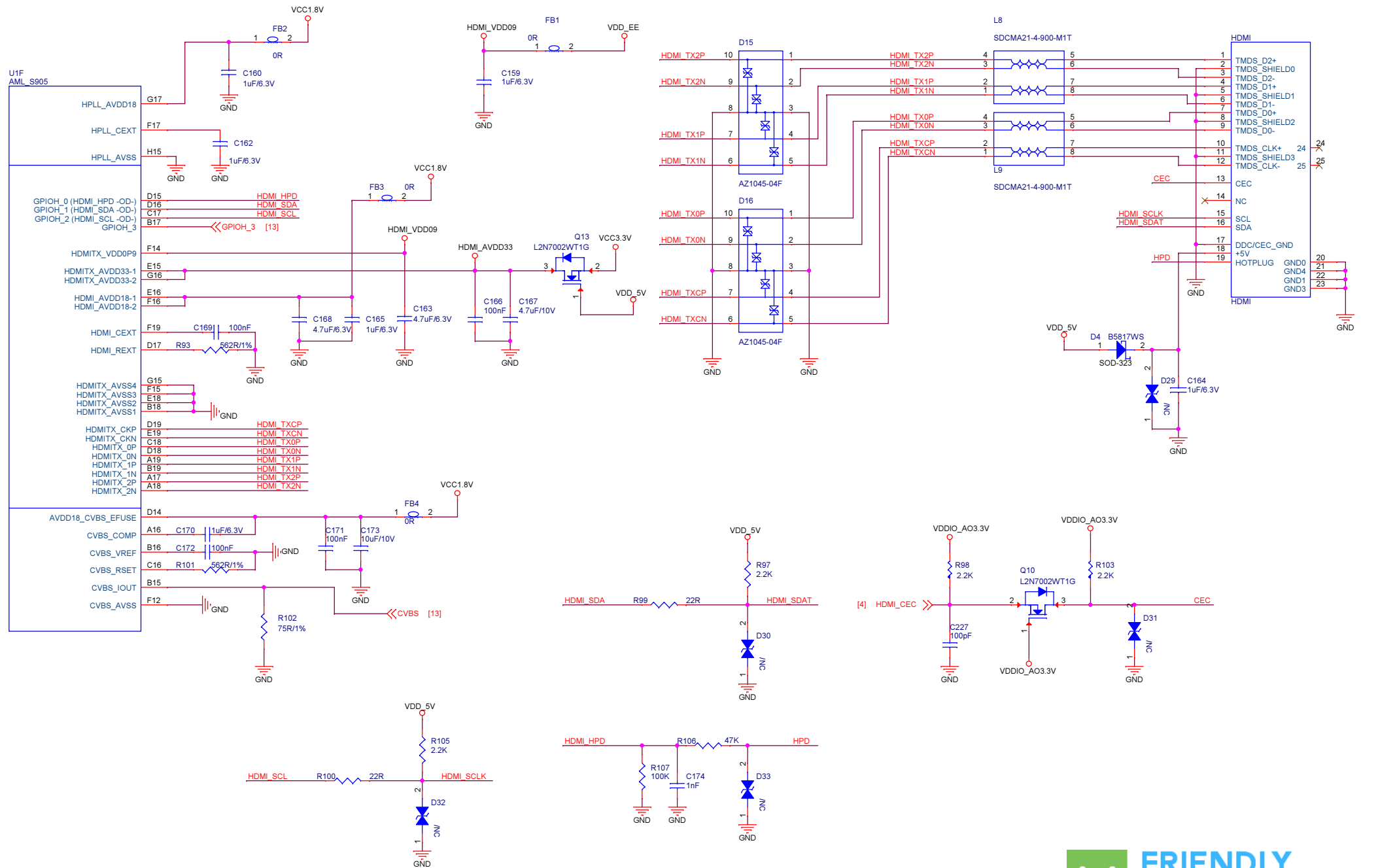
Gigabit Ethernet



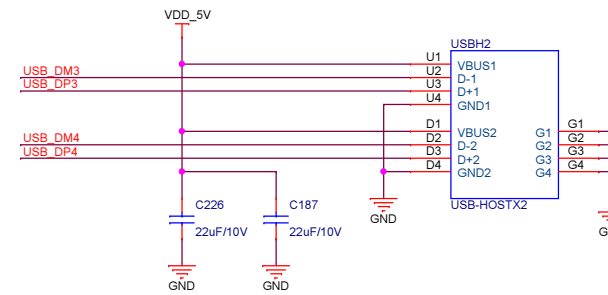
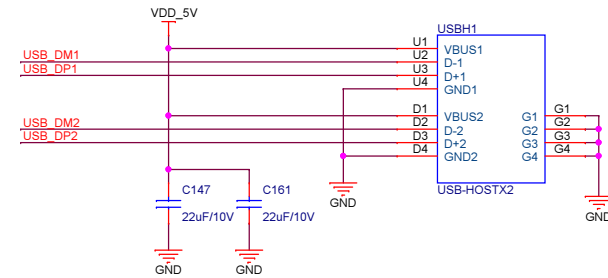
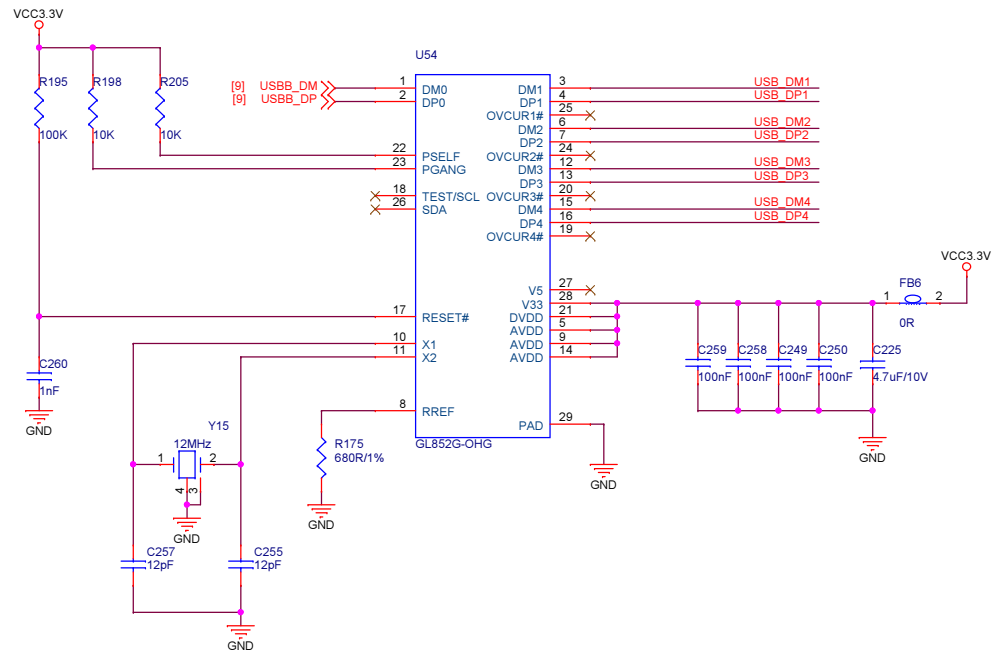


MicroSD Card Slot

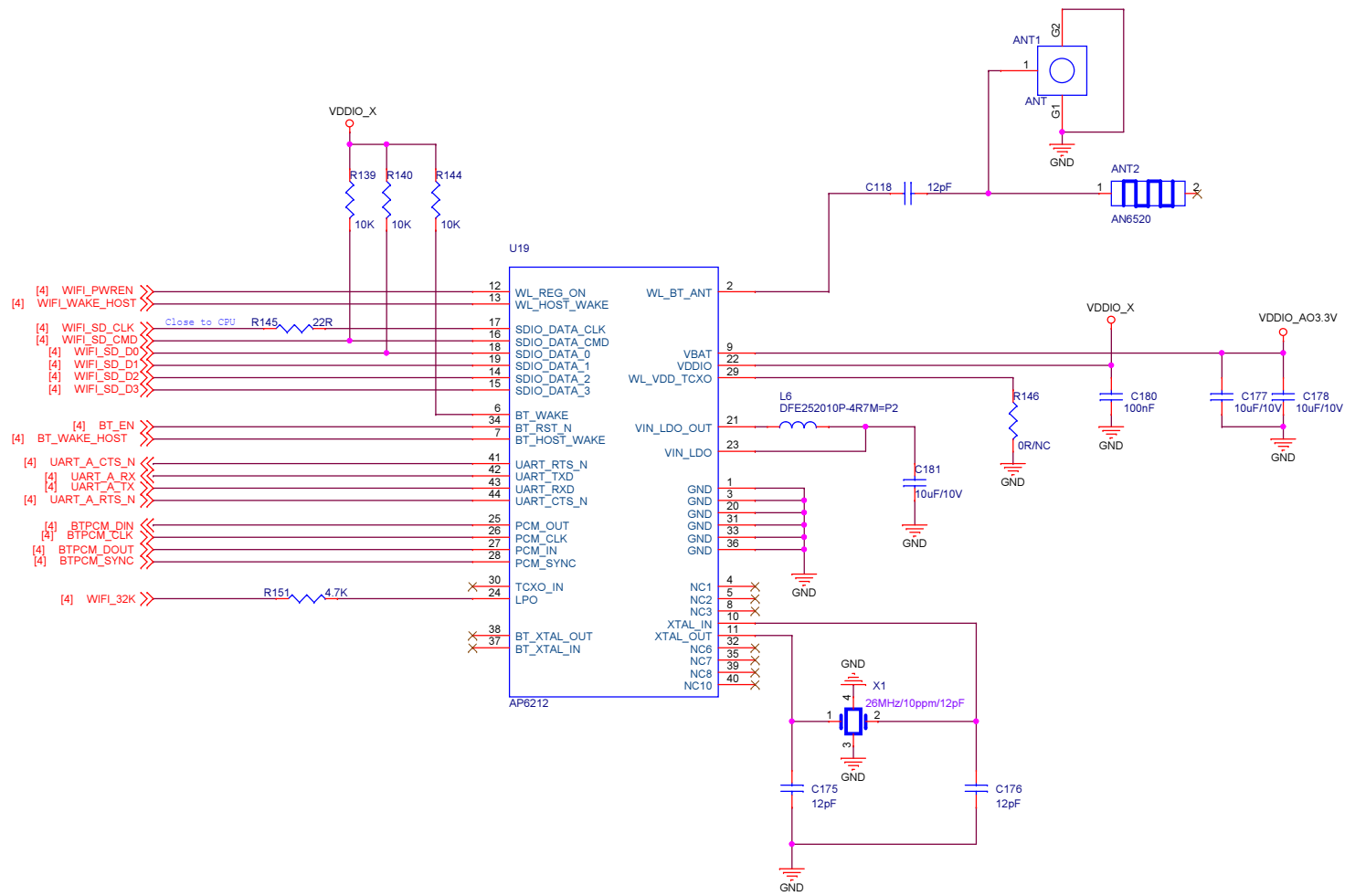


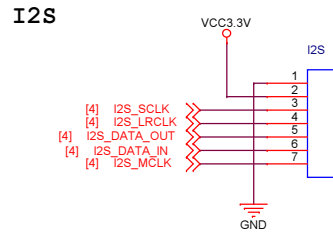
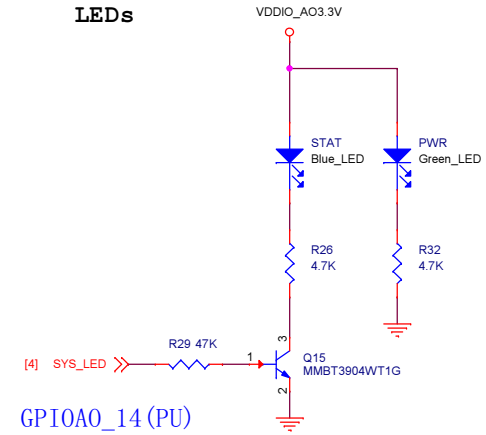
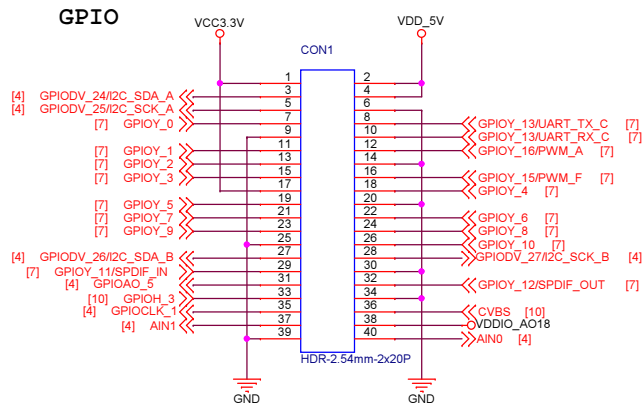


USB 2.0 HUB

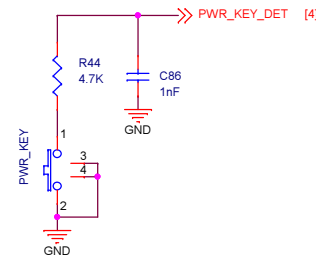


Wi-Fi/Bluetooth

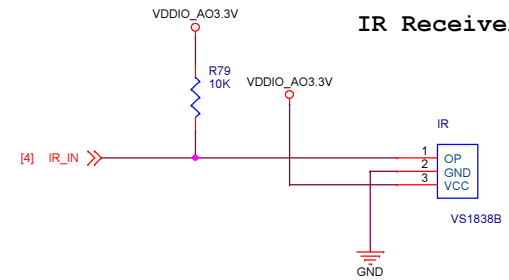




Power Key



IR Receiver



Debug UART

