

NanoPi NEO 2

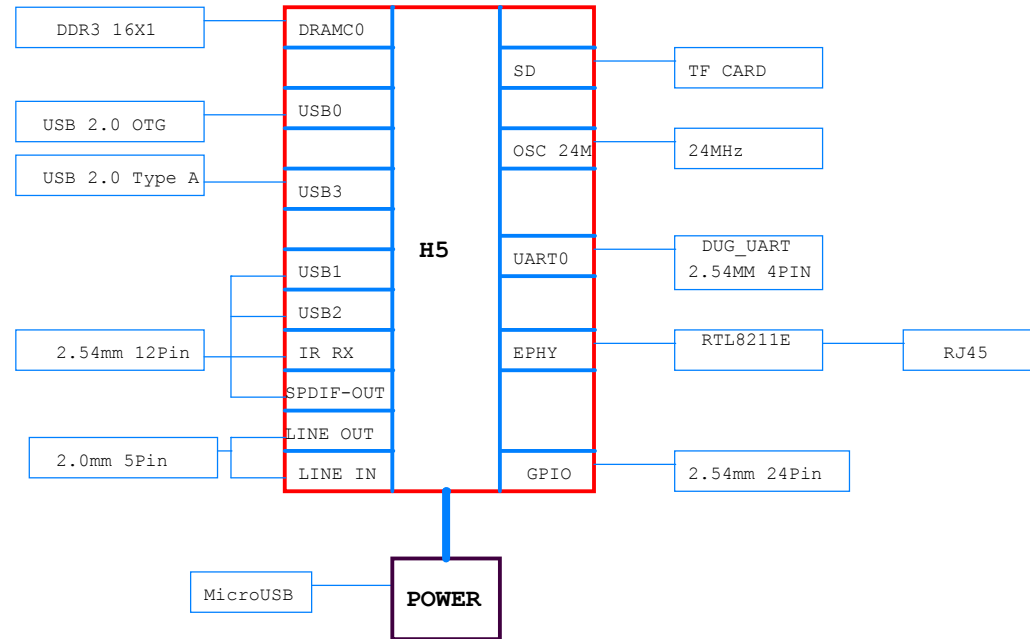
Revision

1701 , V1.0

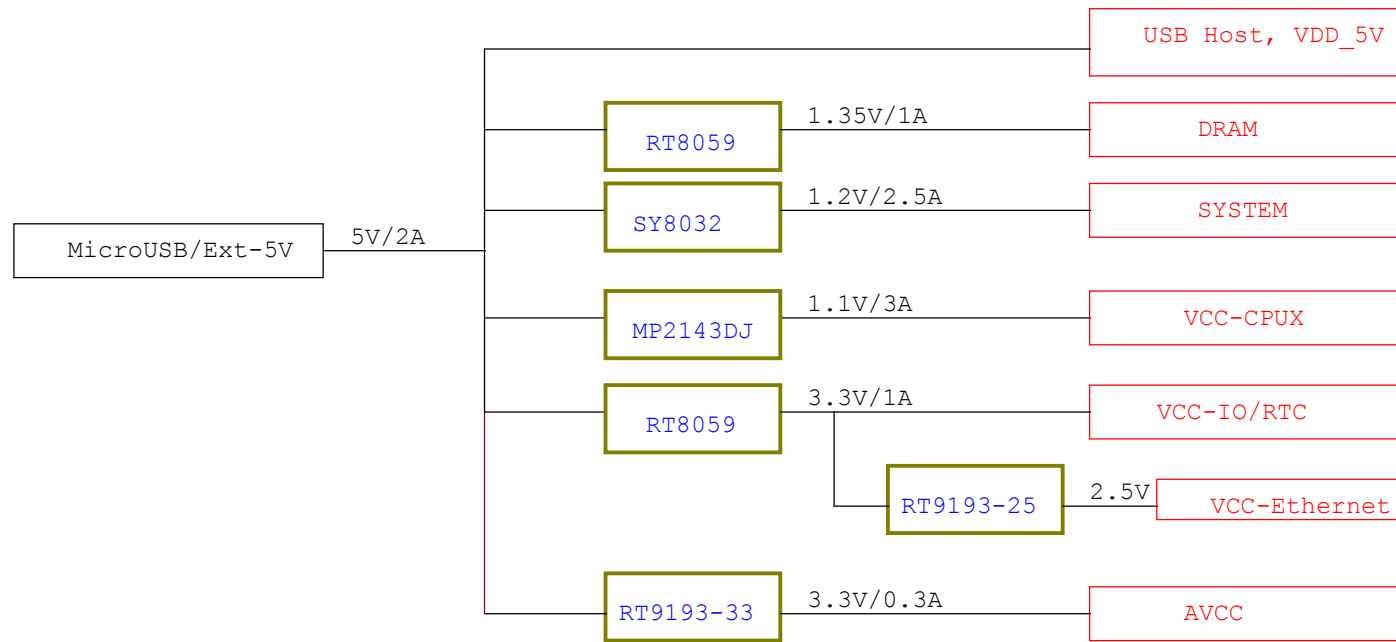


NanoPi NEO 2		
Size A3	Document Number 01:Title	Rev 1701
Date:	Thursday, March 02, 2017	Sheet 1 of 12

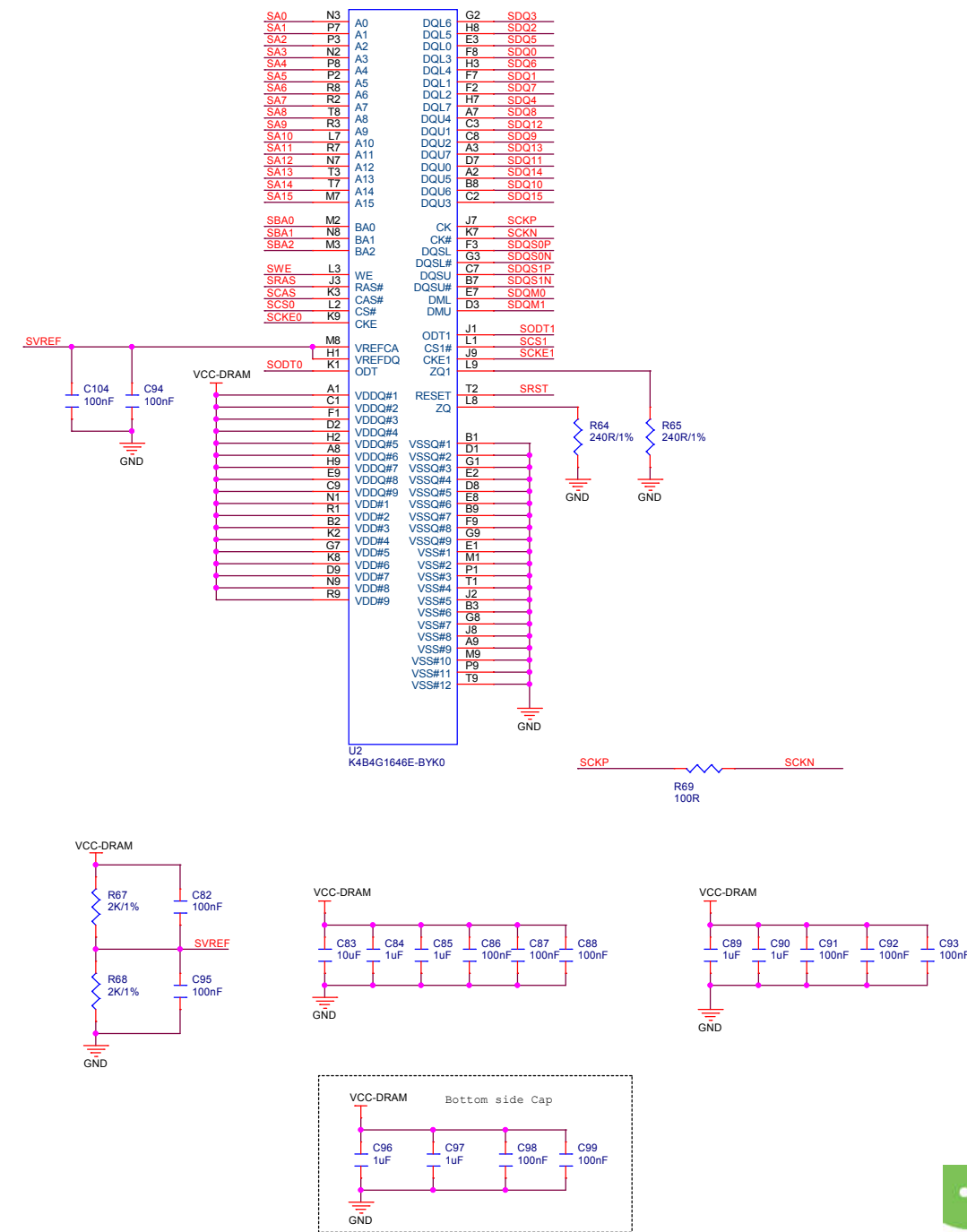
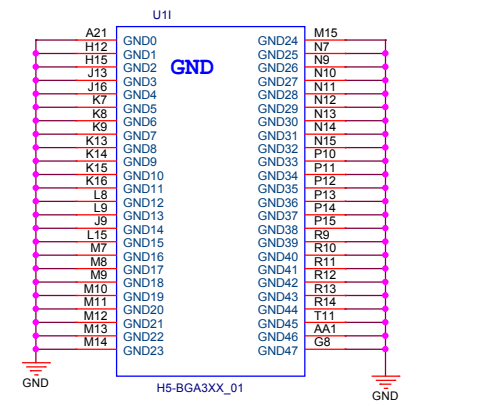
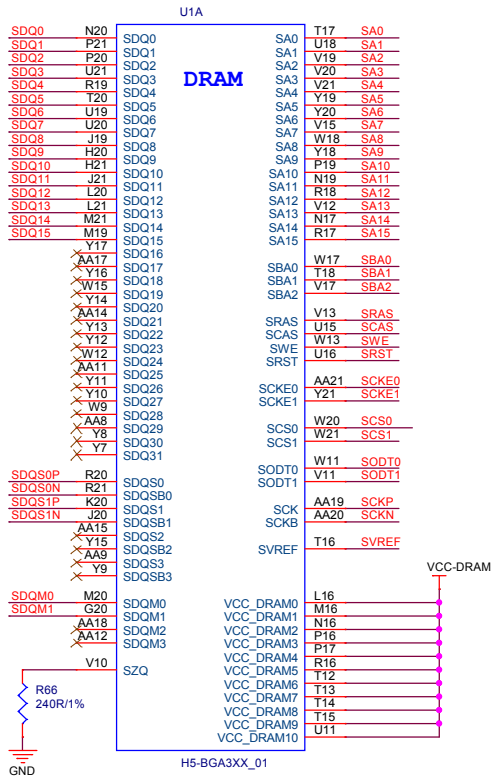
BLOCK



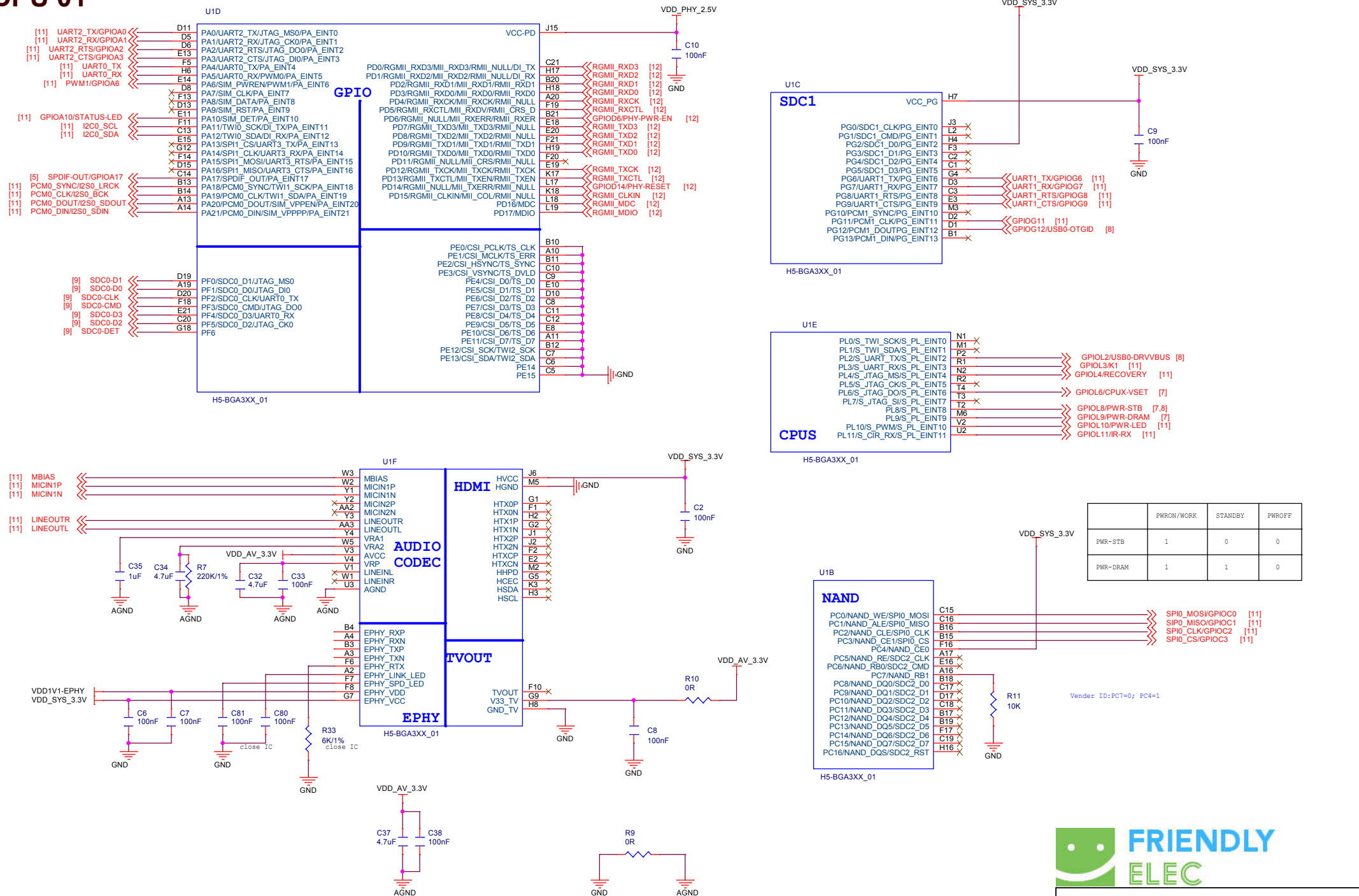
POWER TREE



DDR3 16x1



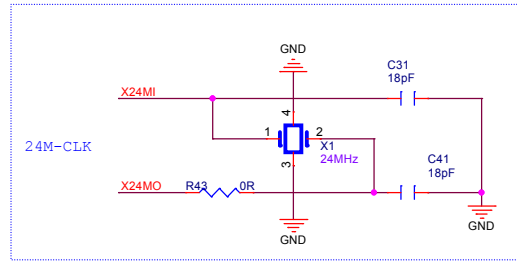
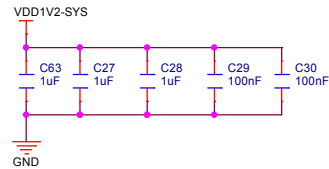
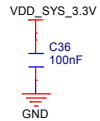
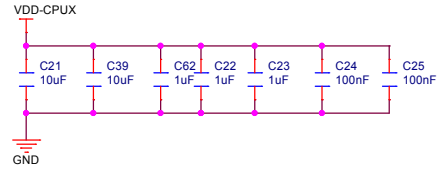
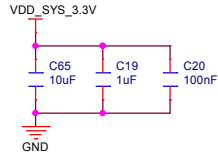
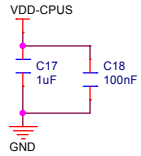
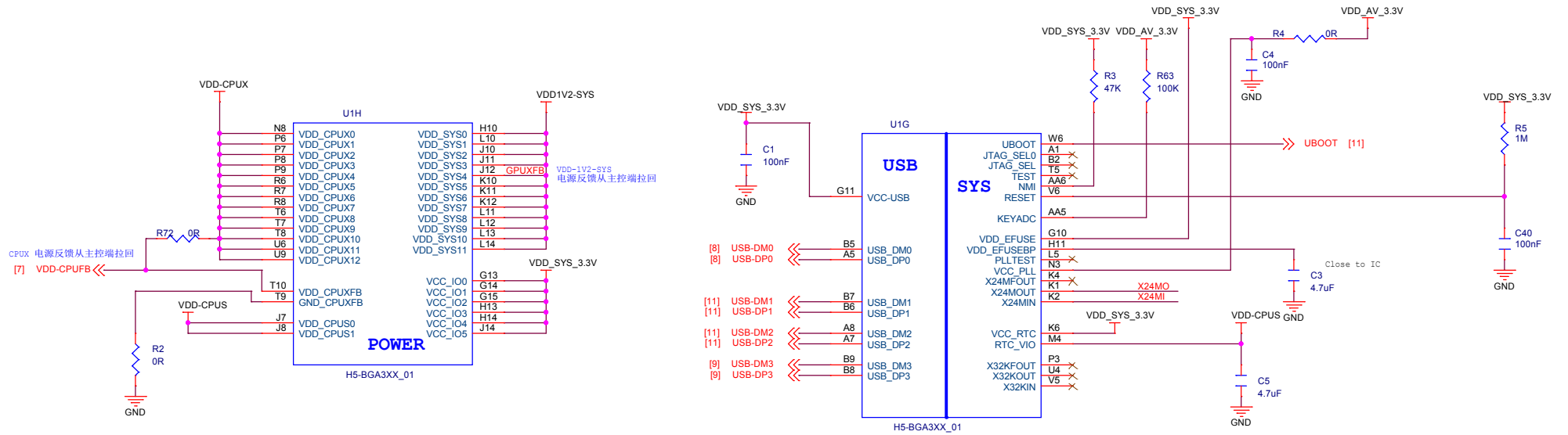
CPU 01



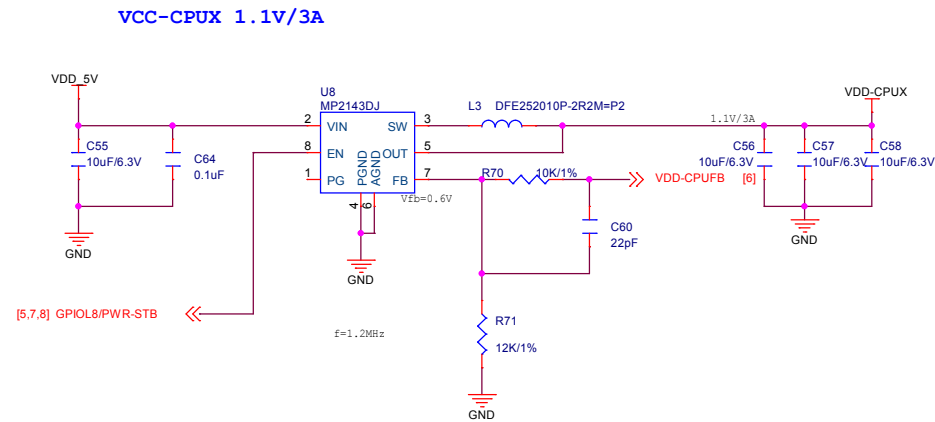
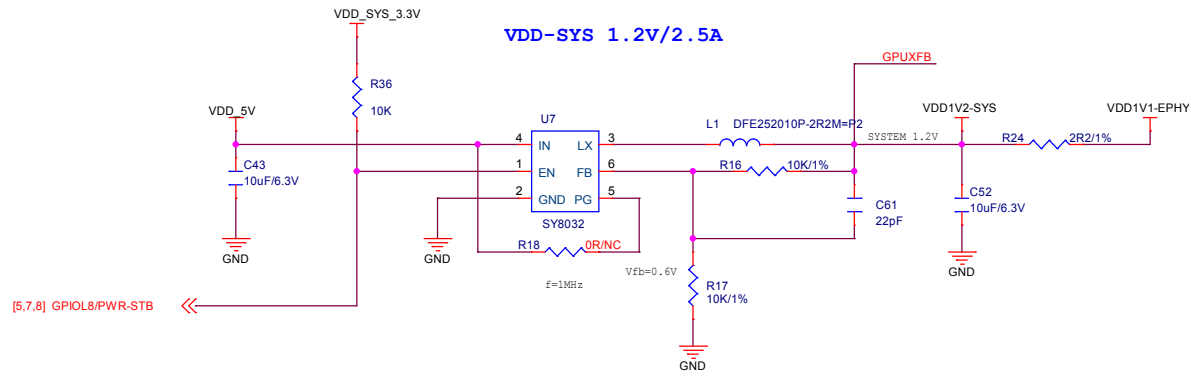
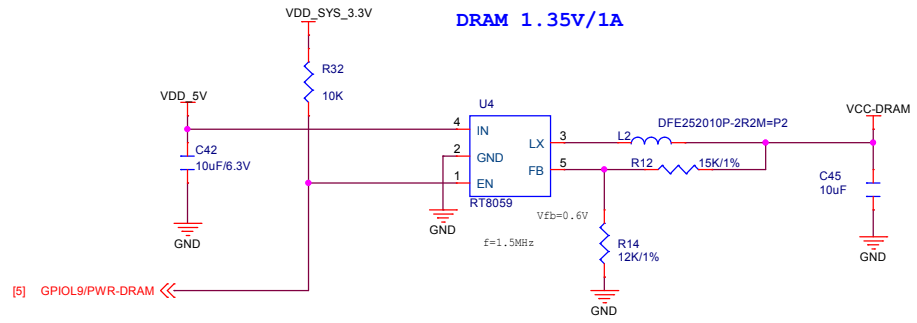
	PWRON/WORK	STANDBY	PWROFF
PWR-STB	1	0	0
PWR-DRAM	1	1	0



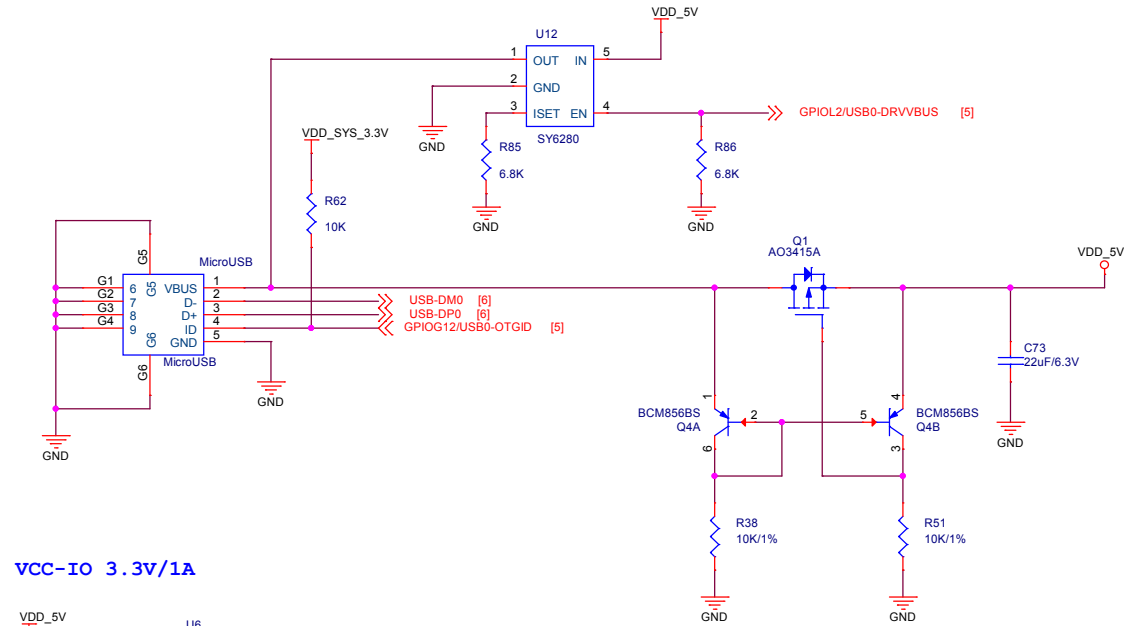
CPU 02



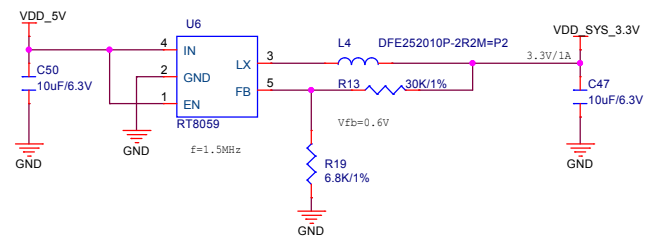
POWER 01



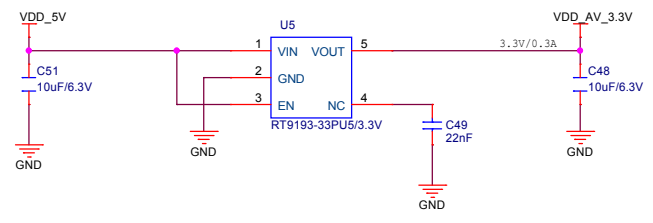
POWER 02



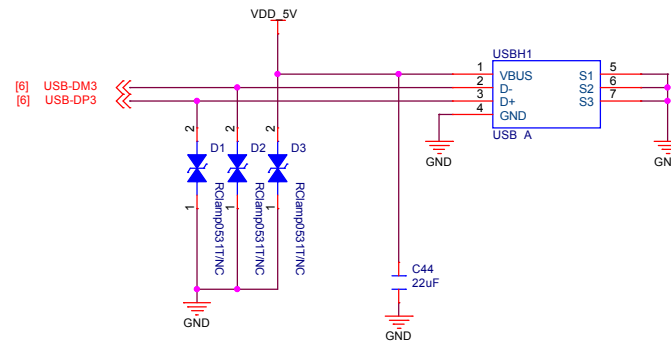
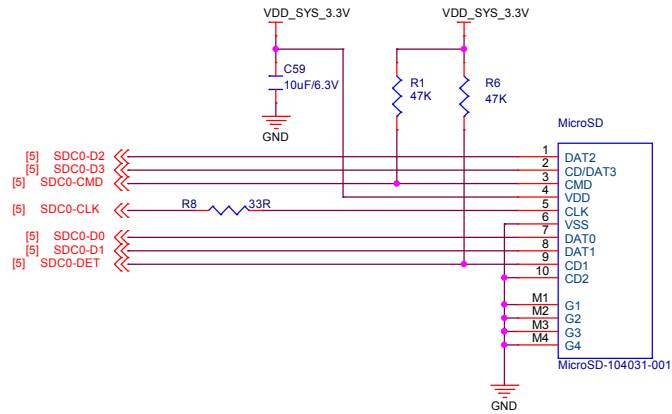
VCC-IO 3.3V/1A



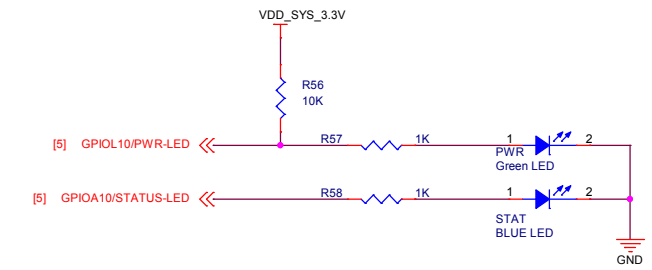
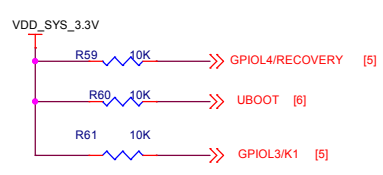
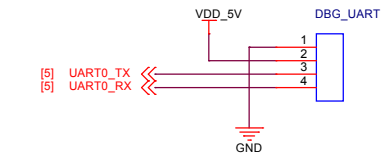
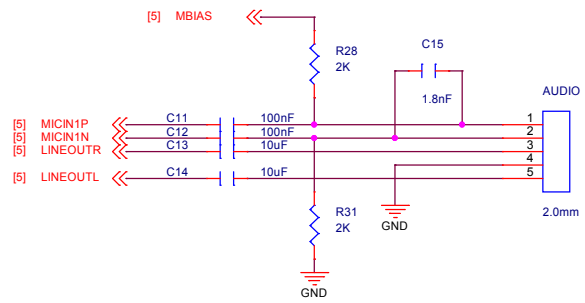
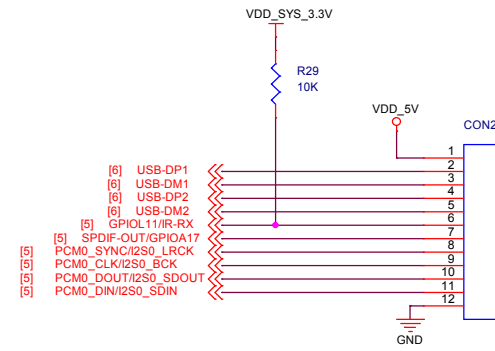
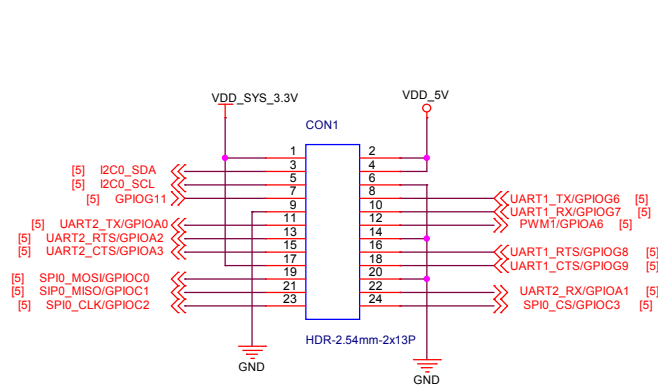
VCC-AVCC 3.3V/0.3A



TF Card,USB Host



GPIO, DBG_UART, IR,LEDs



10/100/1000M Ethernet

