

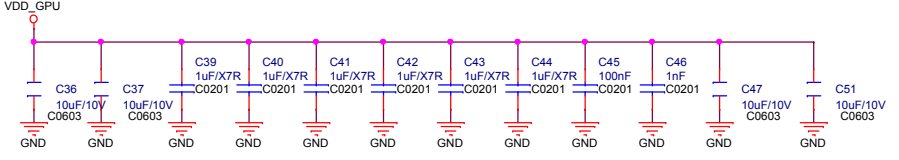
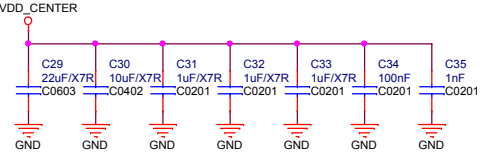
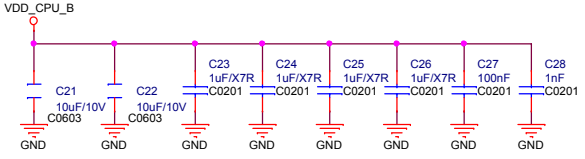
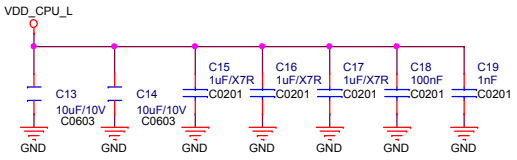
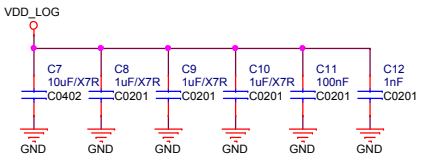
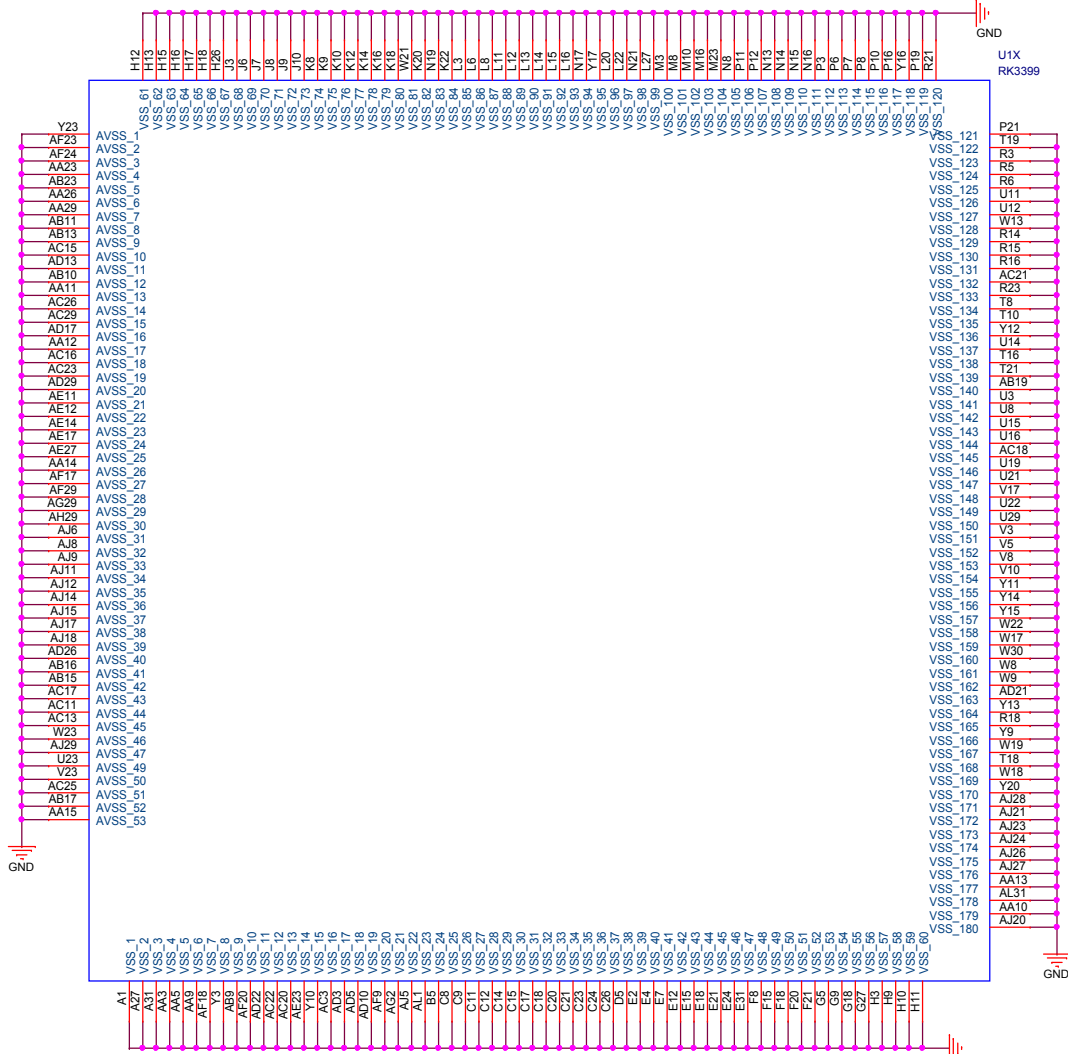
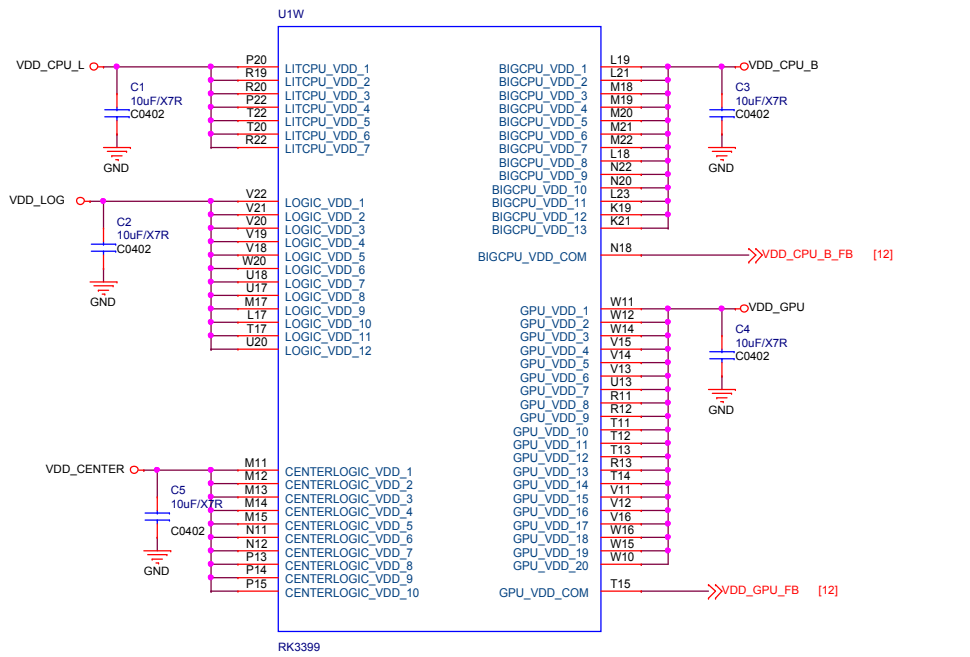
# SOM-RK3399

Revision

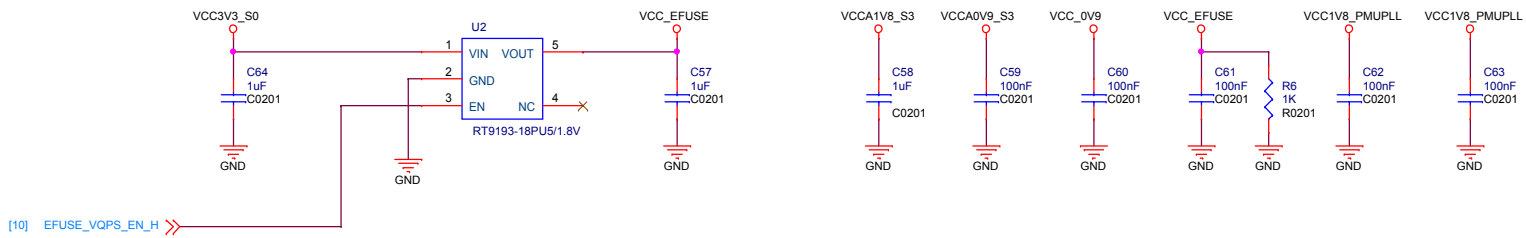
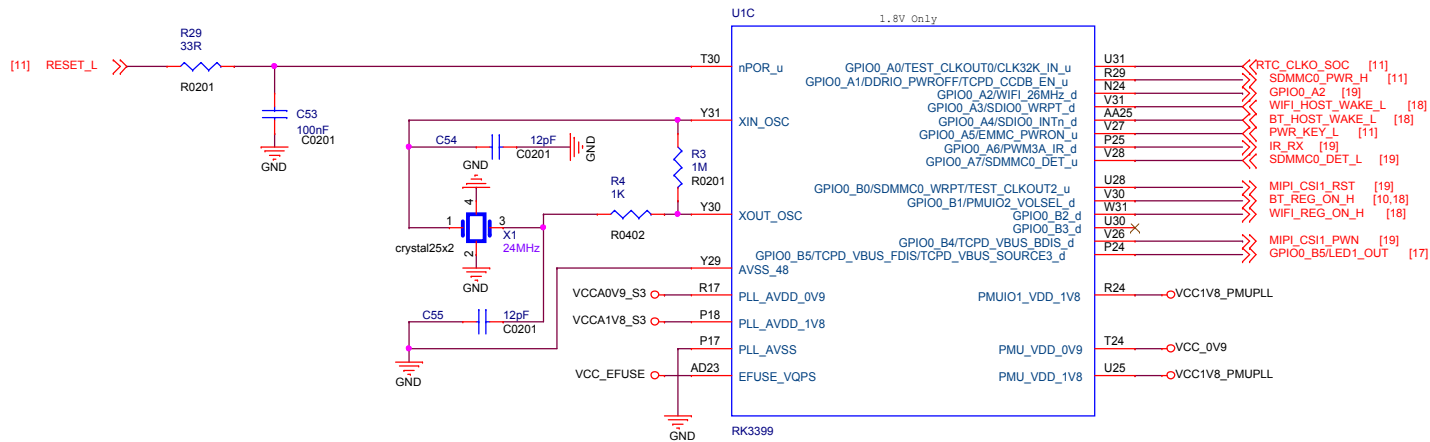
1904 , First Release

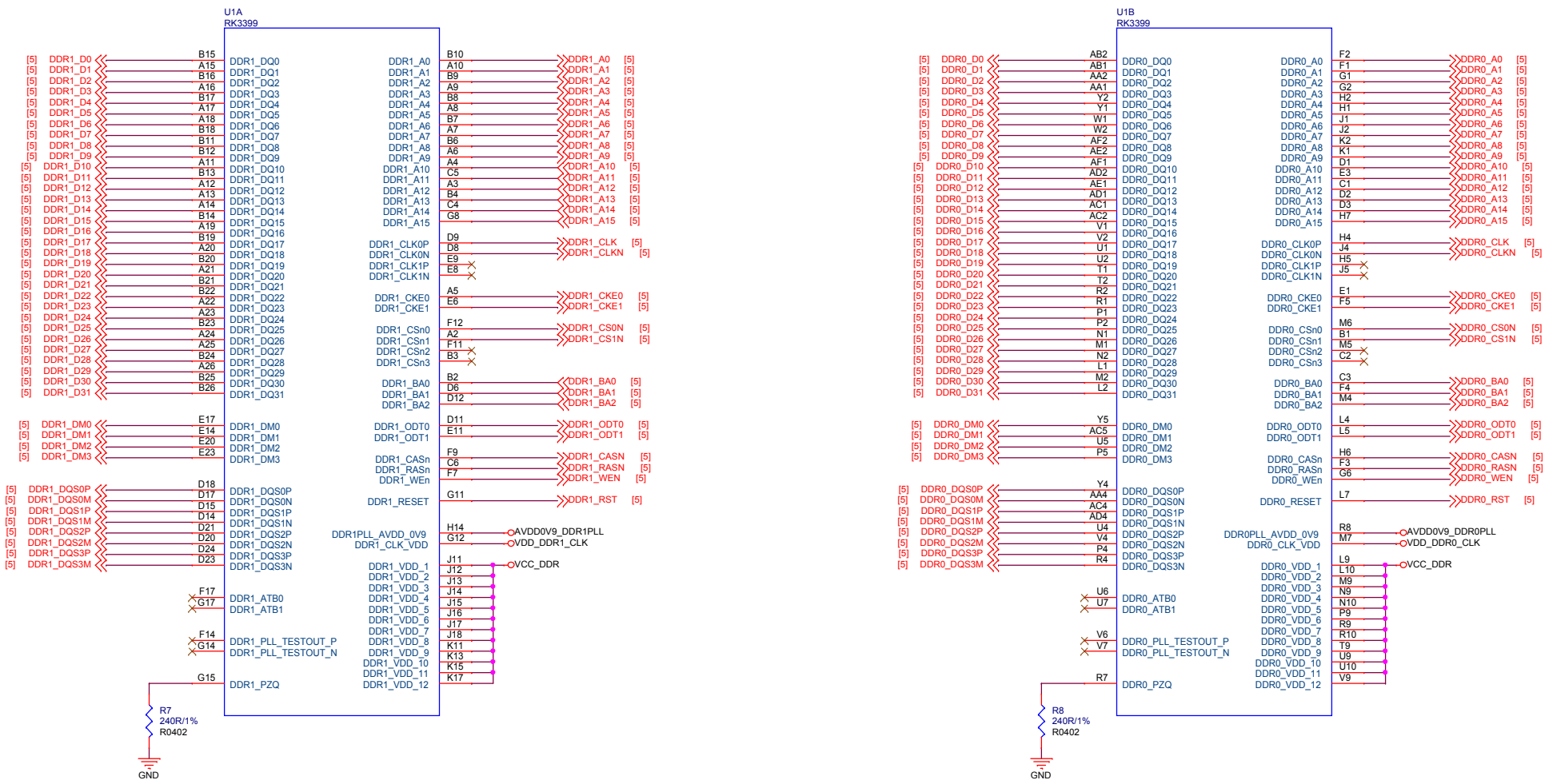


SOM-RK3399		
Size A3	Document Number 01.Title	Rev 1904
Date:	Wednesday, May 22, 2019	Sheet 1 of 20

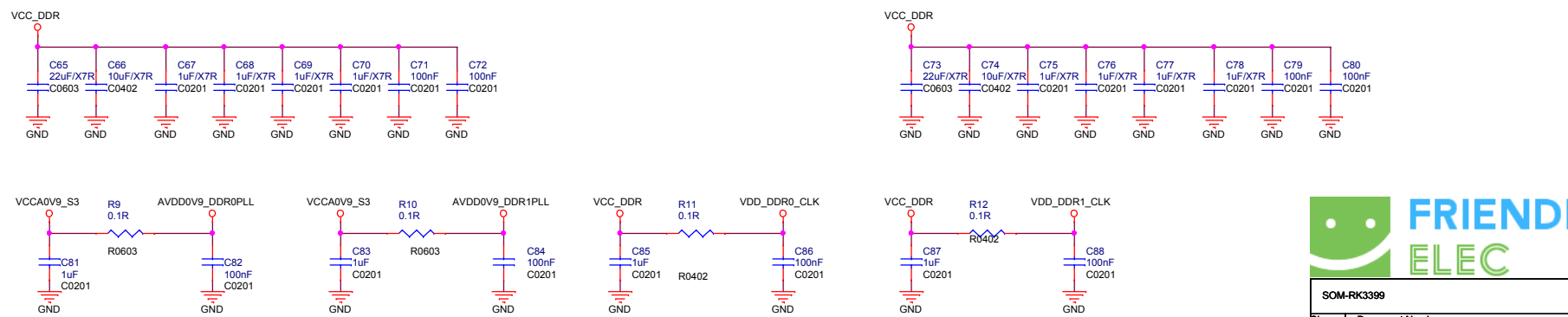


SOM-RK3399		
Size A3	Document Number 02.RK3399 Power	Rev 1904
Date: Wednesday, May 22, 2019	Sheet 2 of 20	

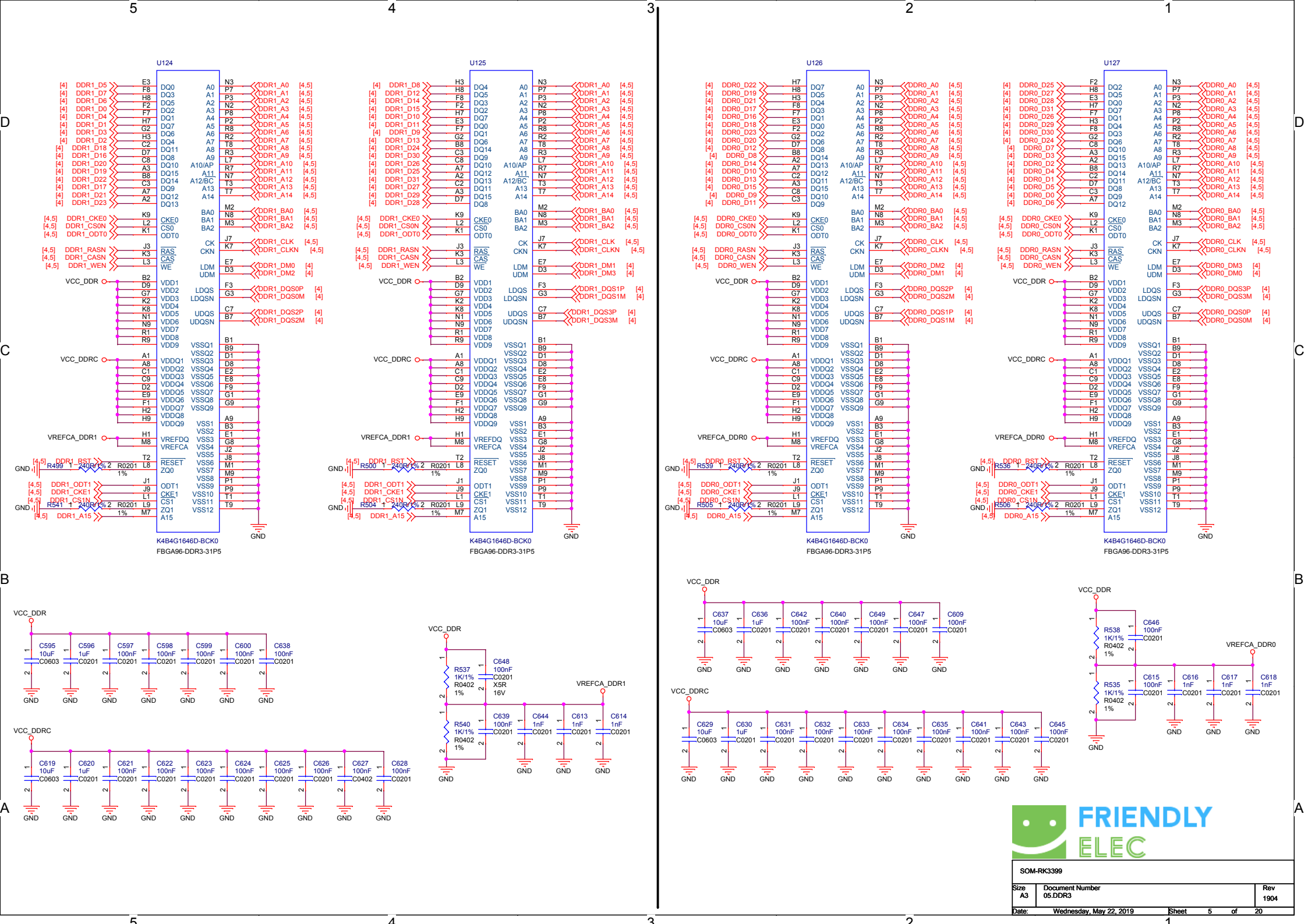


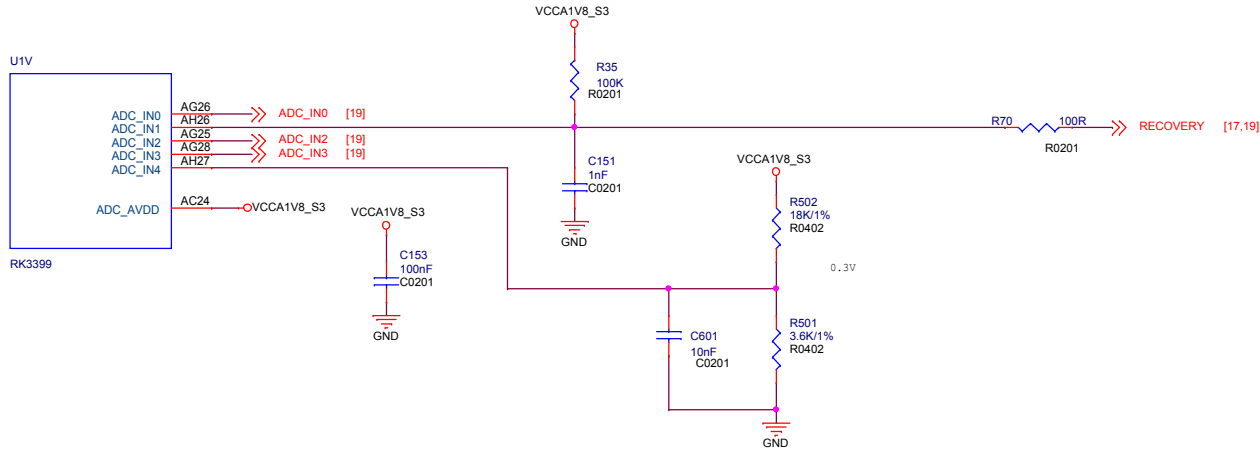
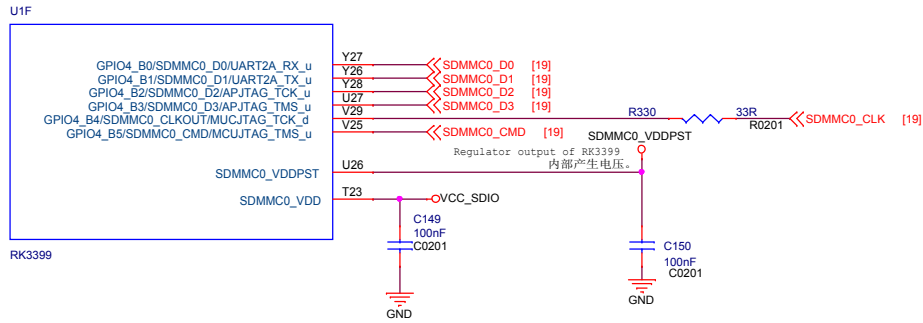
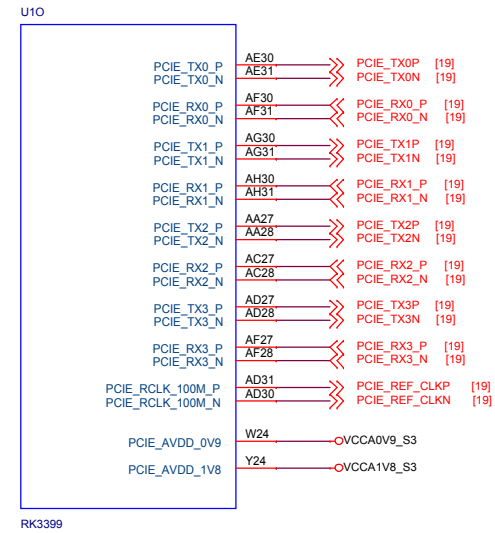
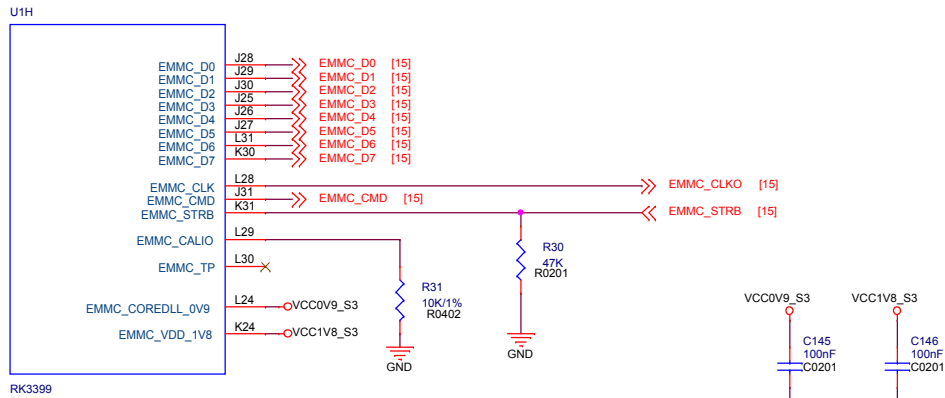


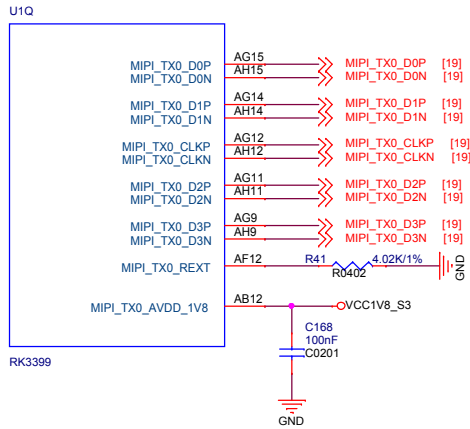
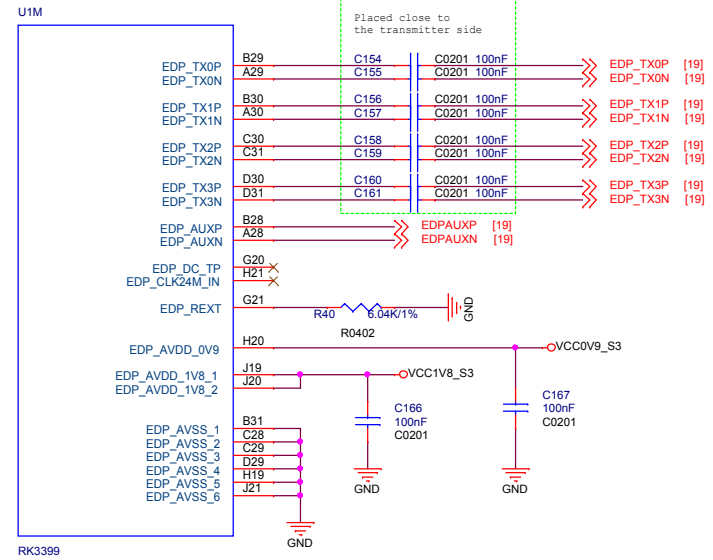
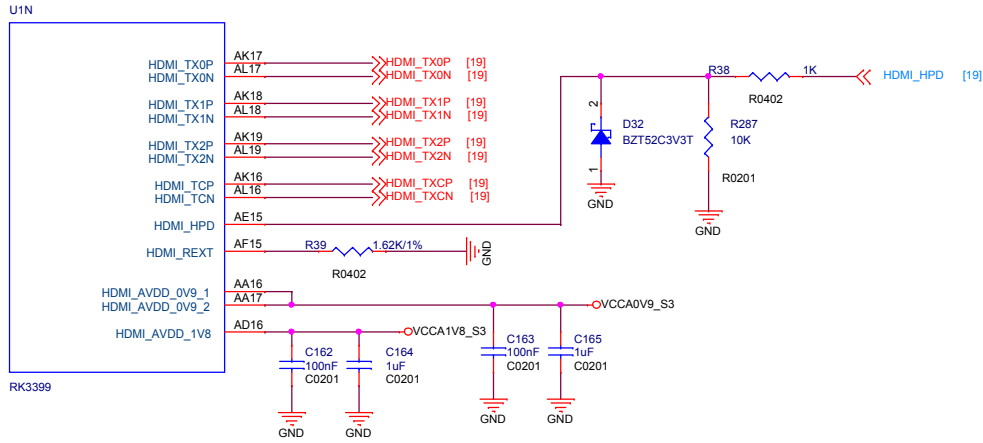
DDR FILTER

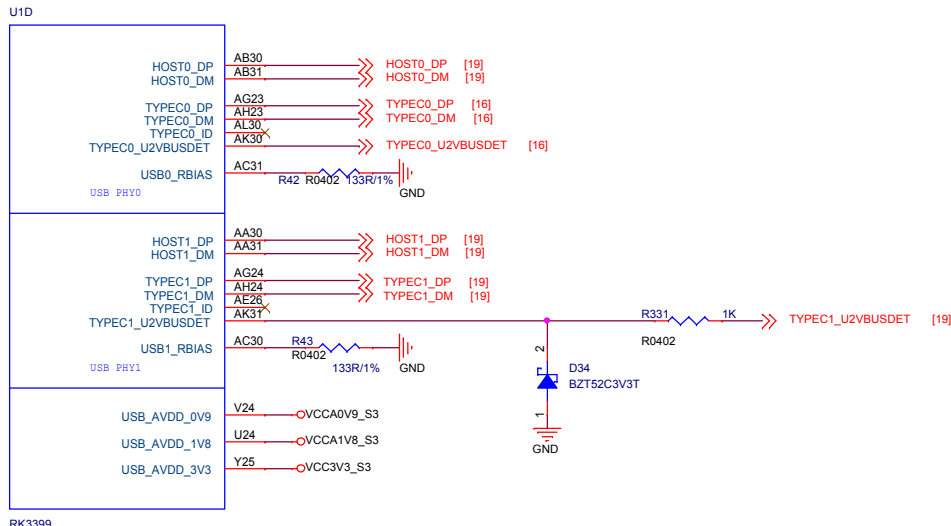


SOM-RK3399		
Size A3	Document Number 04.RK3399 DDR Controller	Rev 1904
Date: Wednesday, May 22, 2019	Sheet 4 of 20	

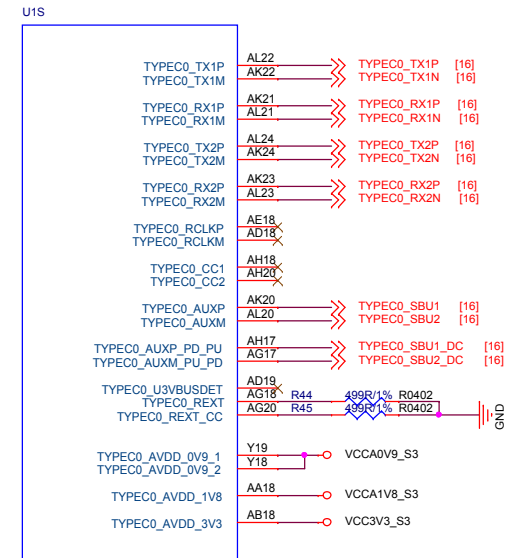
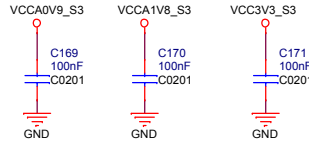




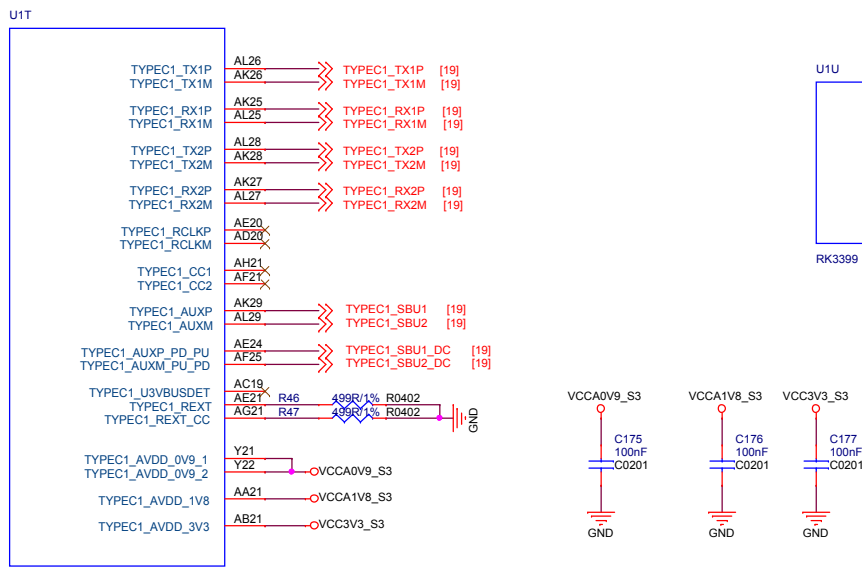
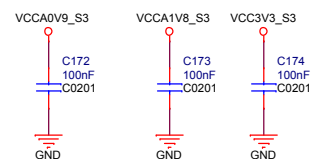




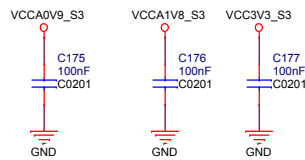
RK3399



RK3399

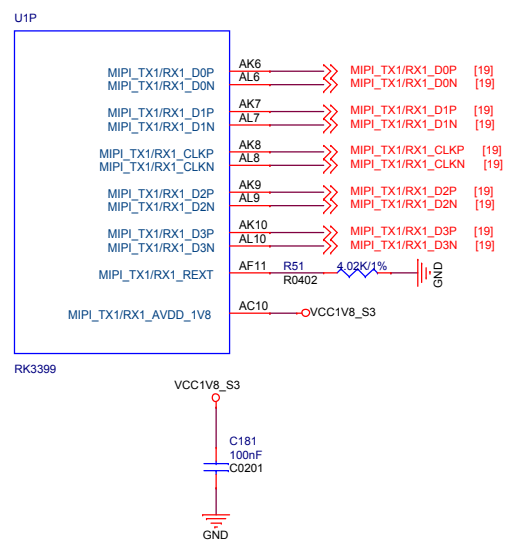
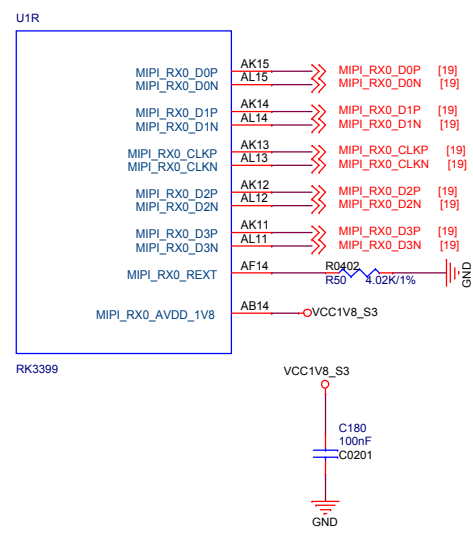
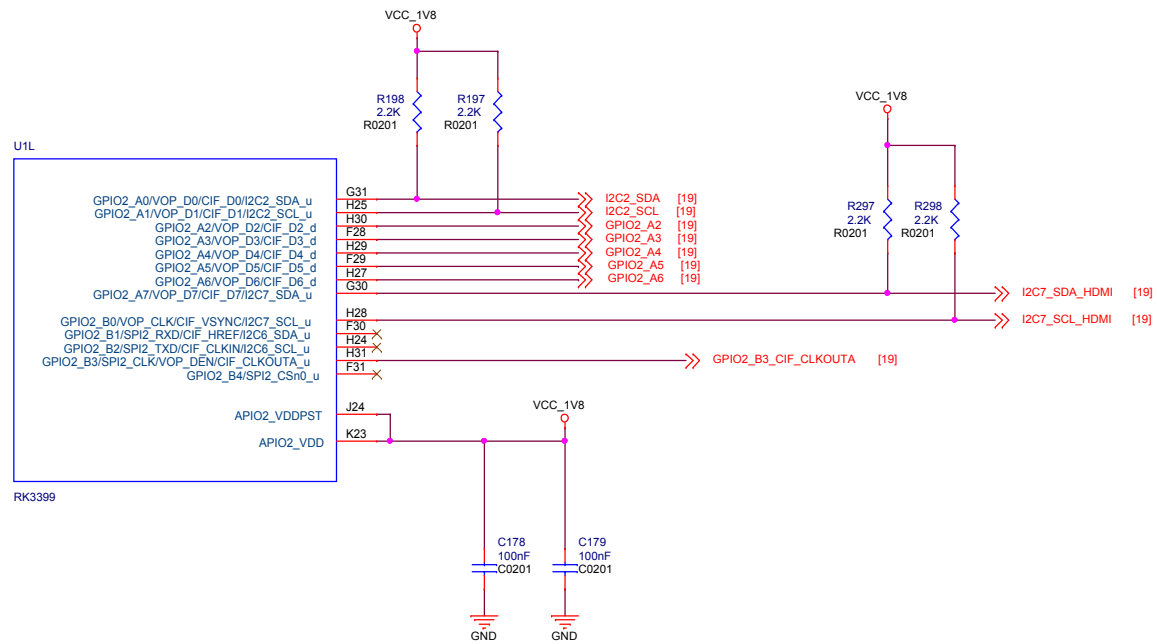


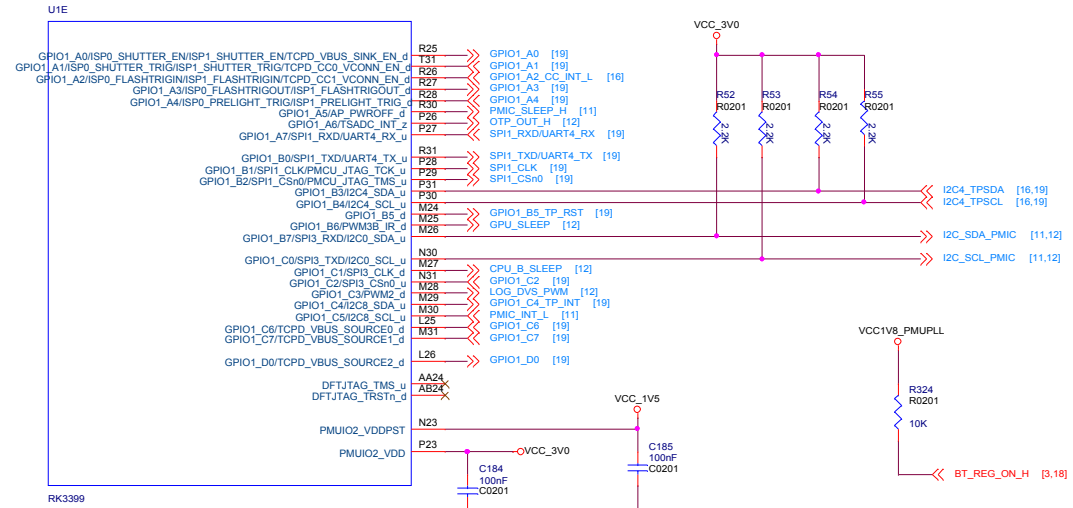
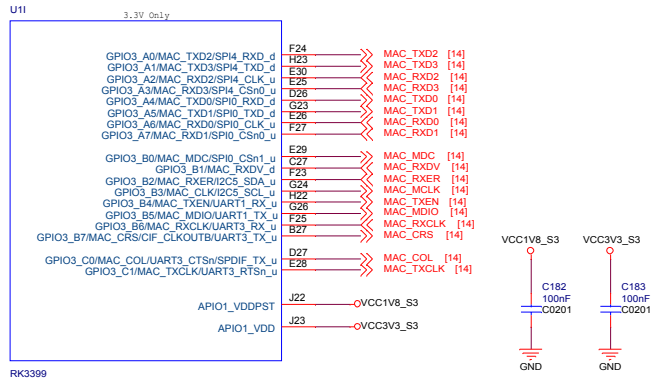
RK3399



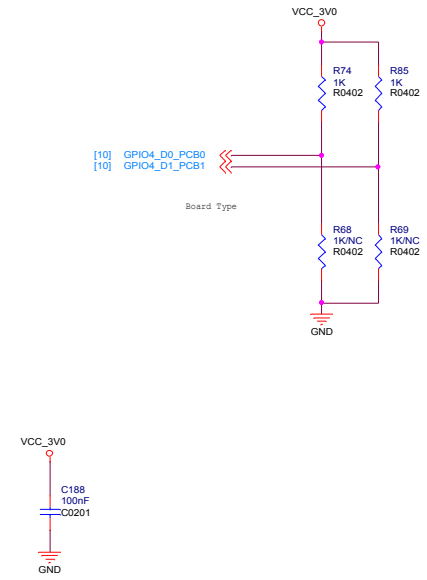
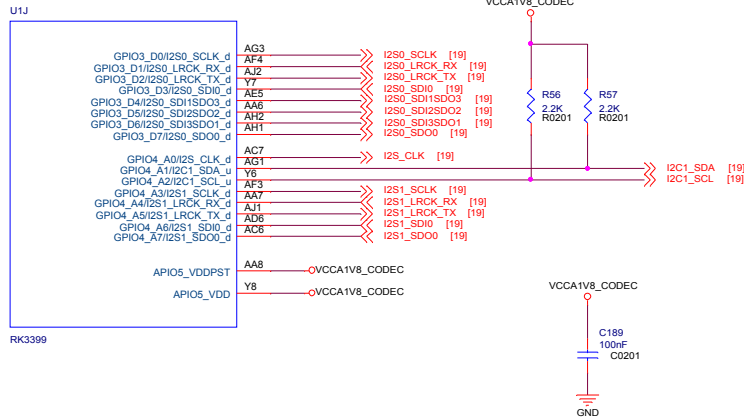
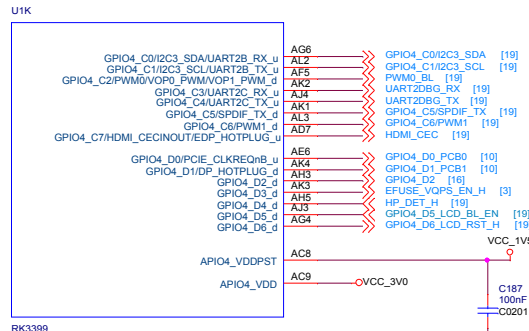
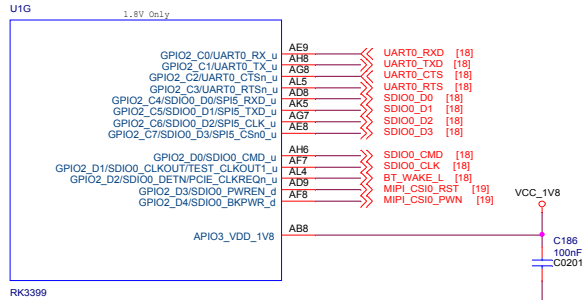
SOM-RK3399		
Size A3	Document Number 09.RK3399 USB/USIC Controller	Rev 1904
Date: Wednesday, May 22, 2019	Sheet 8	of 20

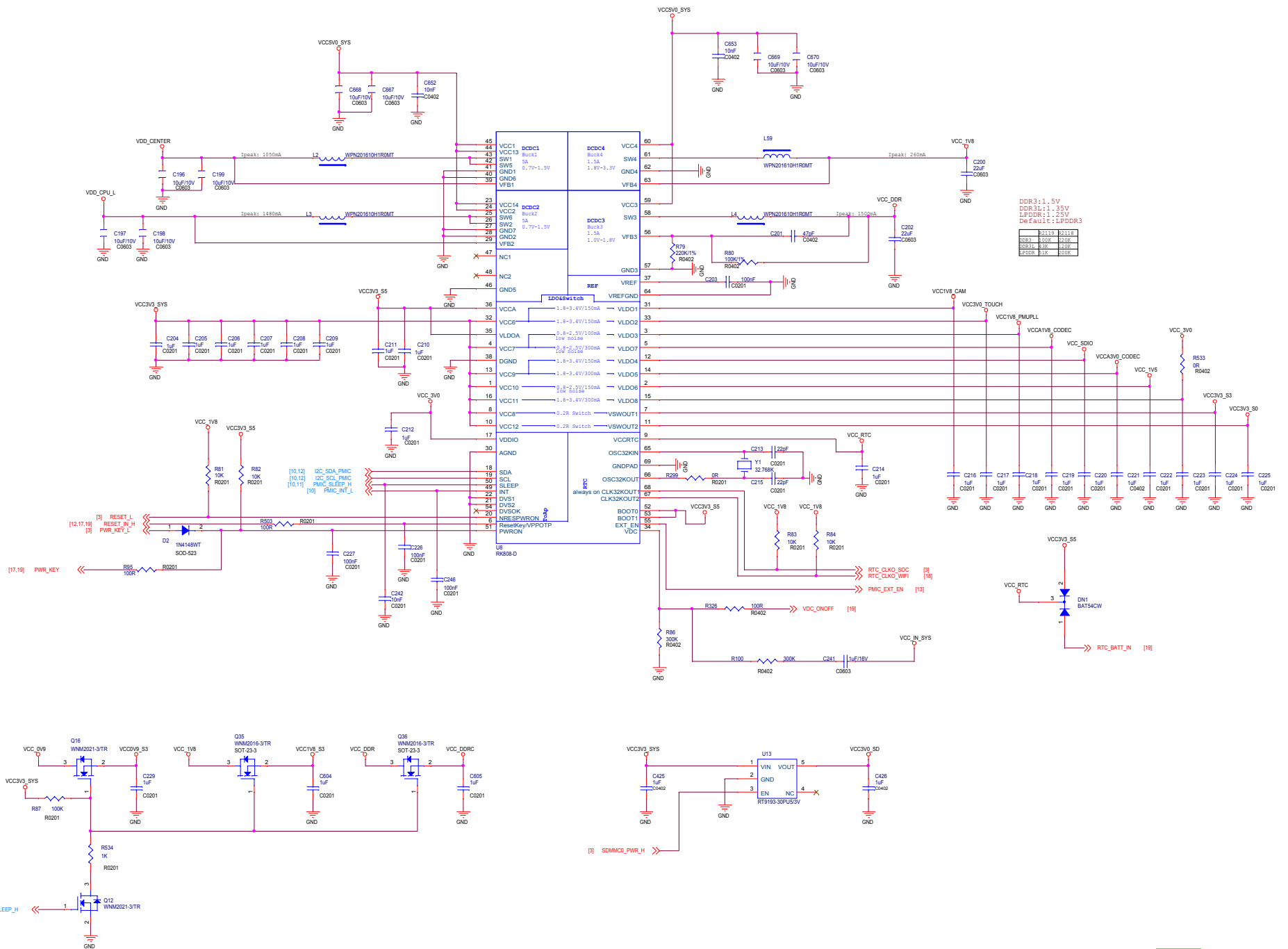






1.8V Only	VDDPST=VDDIO=1.8V
3.3V Only	VDDPST=1.8V, VDDIO=3.3V
other	3.0V mode: VDDPST=1.5V, VDDIO=3.3V 1.8V mode: VDDPST=1.8V, VDDIO=1.8V

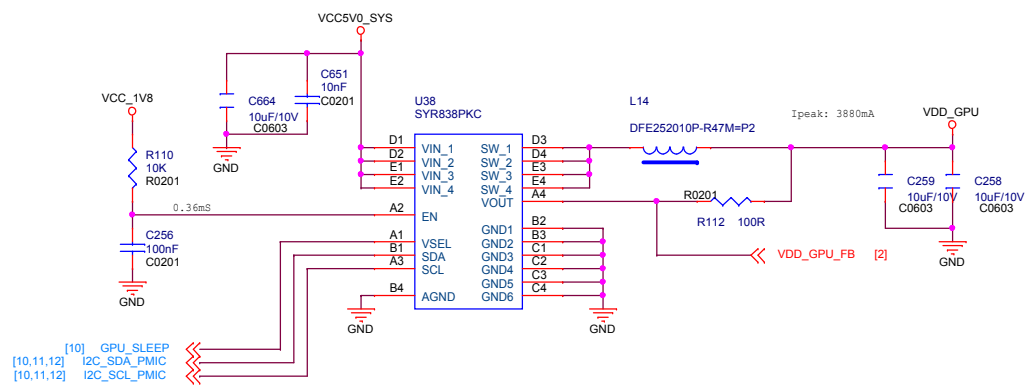




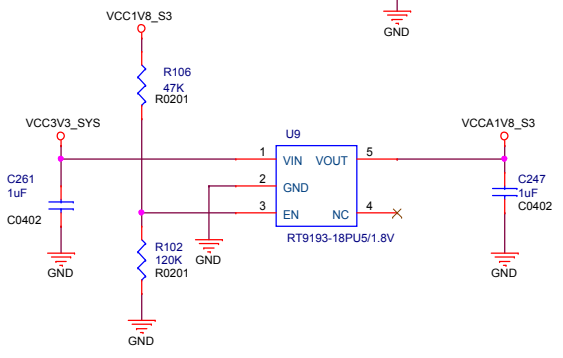
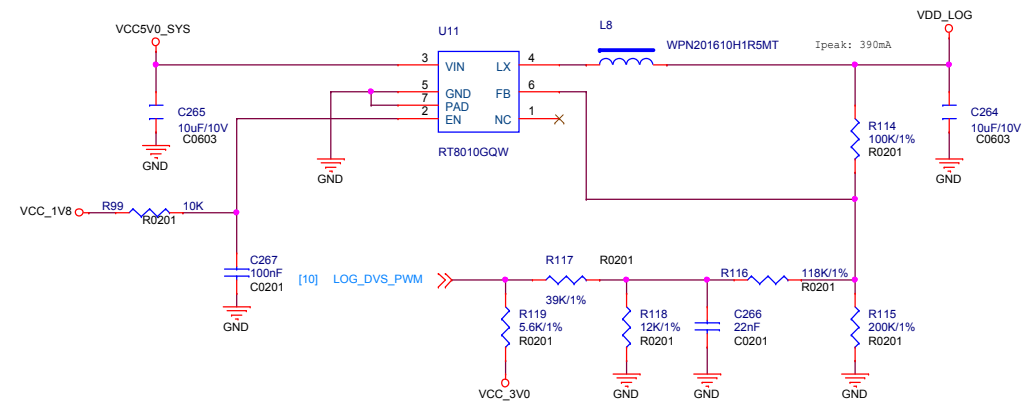
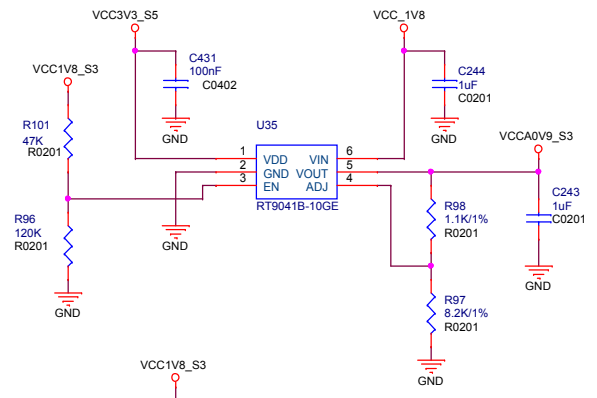
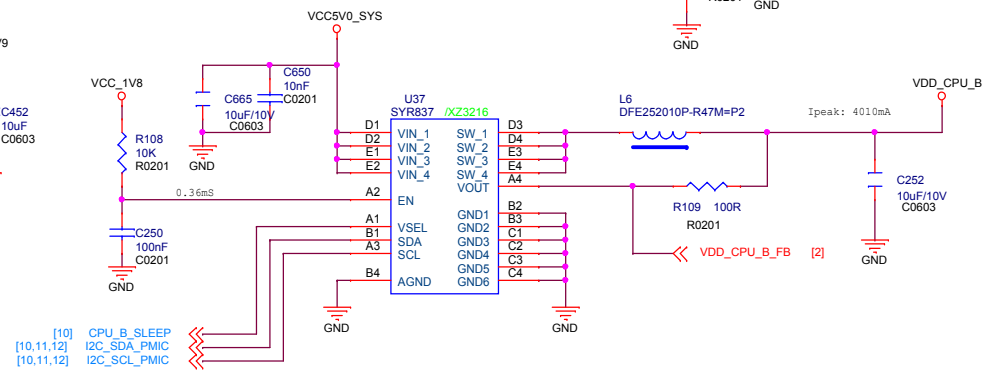
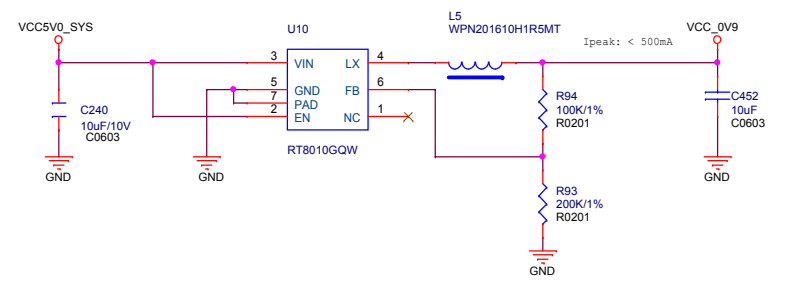
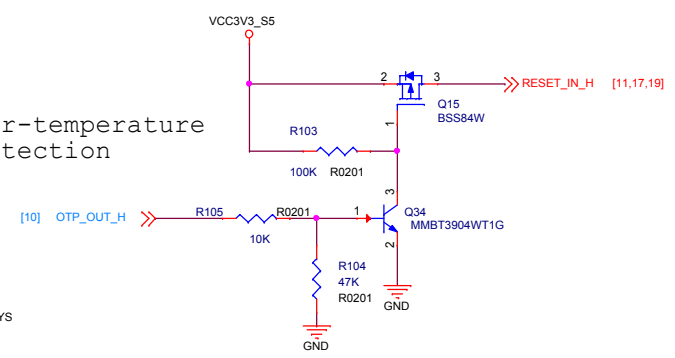
DCDC1: 1.5V  
 DCDC2: 1.5V  
 DCDC3: 1.25V  
 Default: 1.1V

DCDC	Mode	Efficiency
DCDC1	DCDC	85%
DCDC2	DCDC	85%
DCDC3	DCDC	85%
DCDC4	DCDC	85%

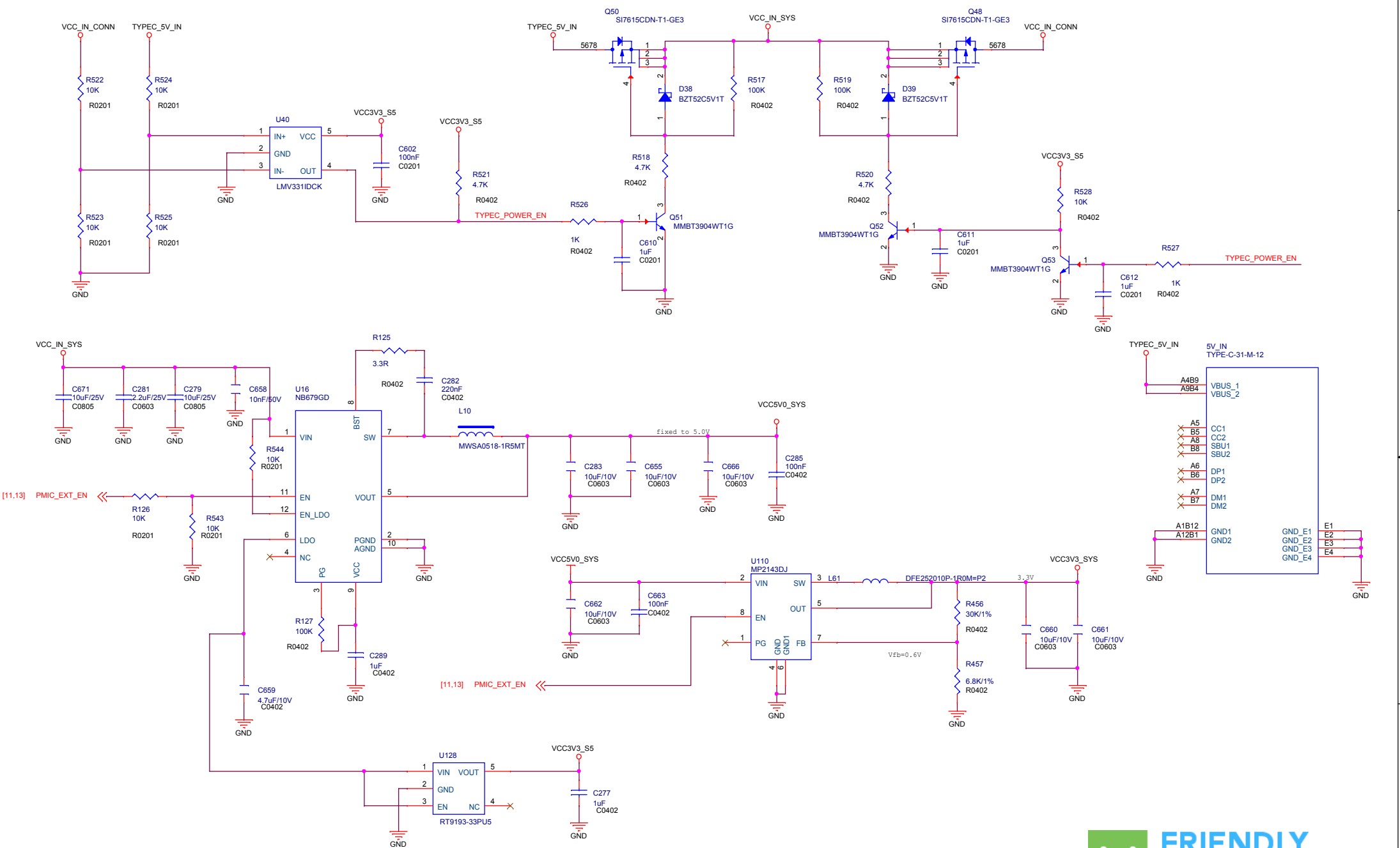




### Over-temperature Protection

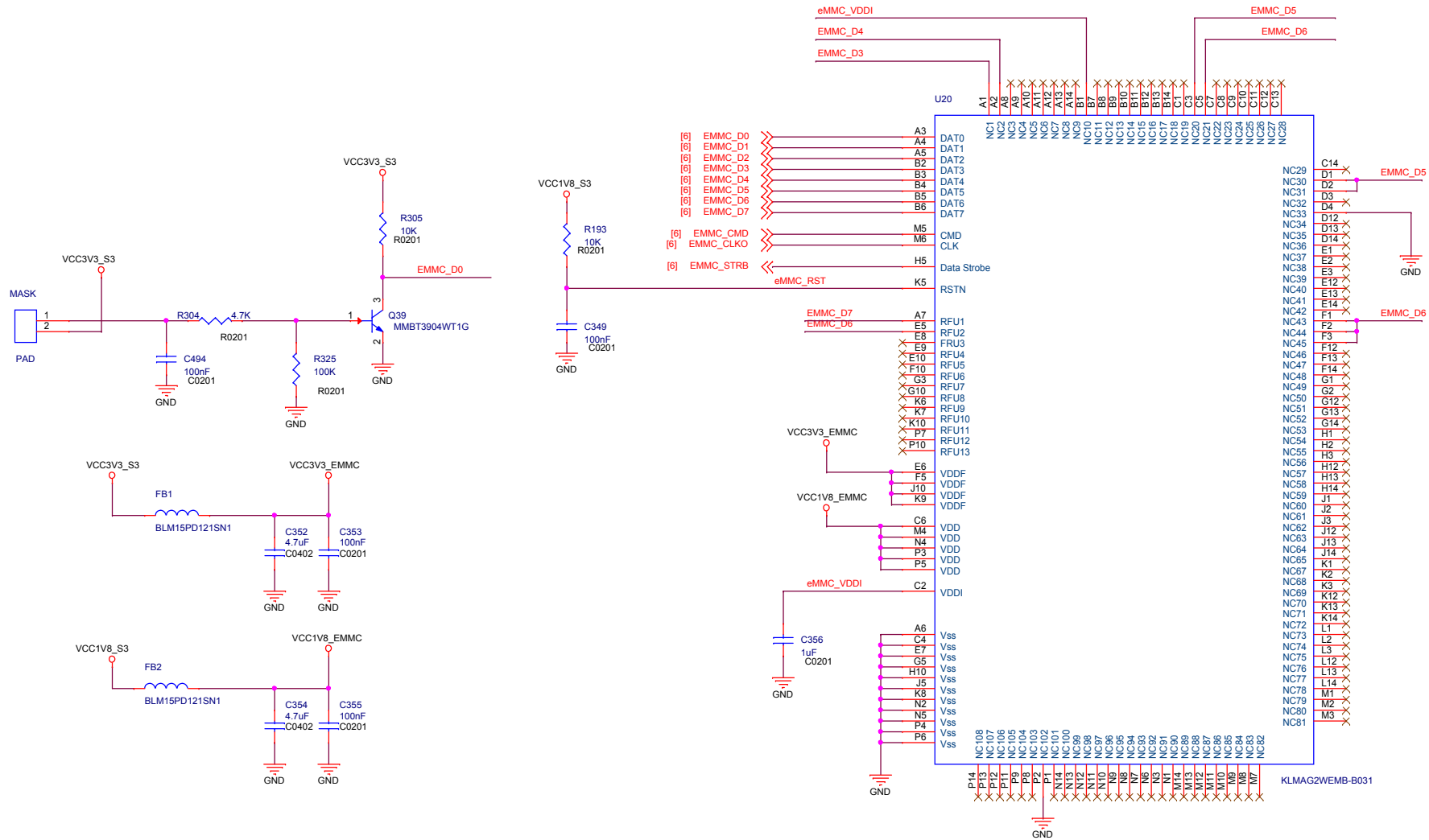


SOM-RK3399		
Size A3	Document Number 12.Power2-CPU/GPU/etc	Rev 1904
Date: Wednesday, May 22, 2019	Sheet 12	of 20

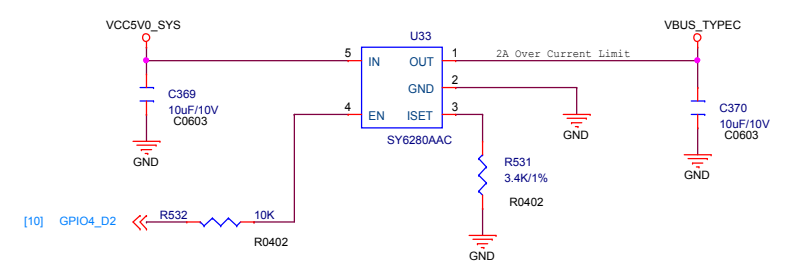
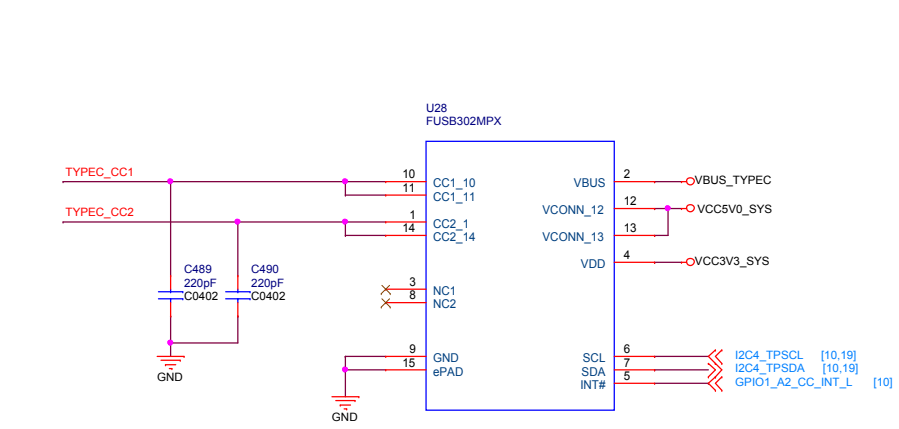
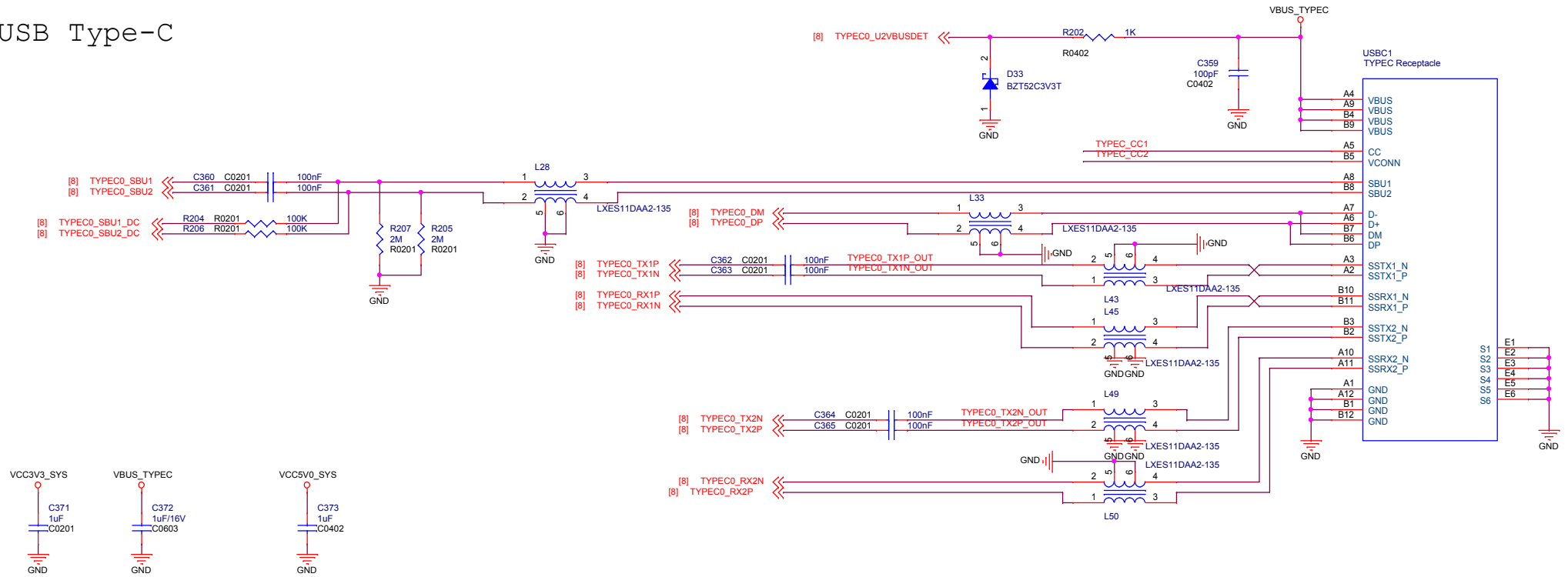


SOM-RK3399		
Size A3	Document Number 13.Power3-3.3V/5V	Rev 1904
Date: Wednesday, May 22, 2019	Sheet 13	of 20

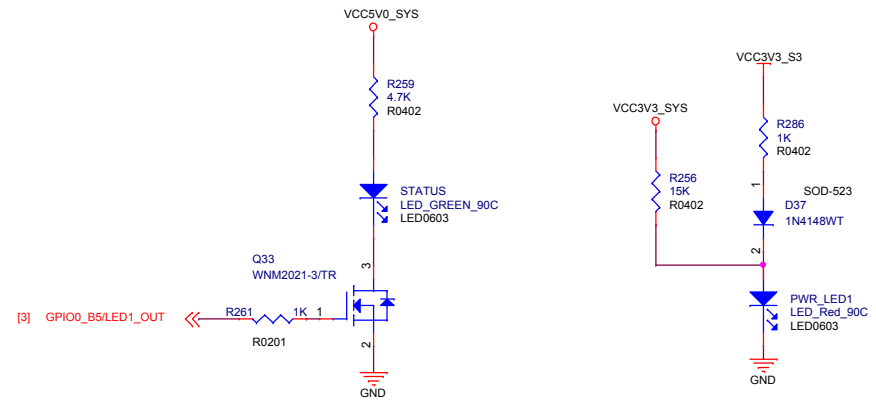
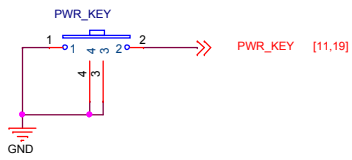
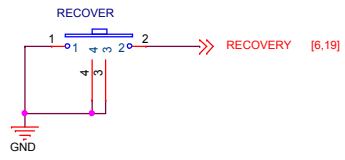
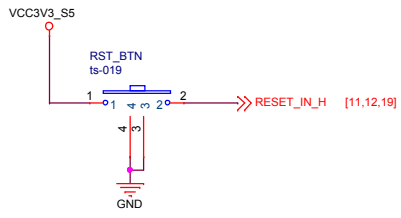




# USB Type-C







# WIFI/WIFI ac/BT MODULE

