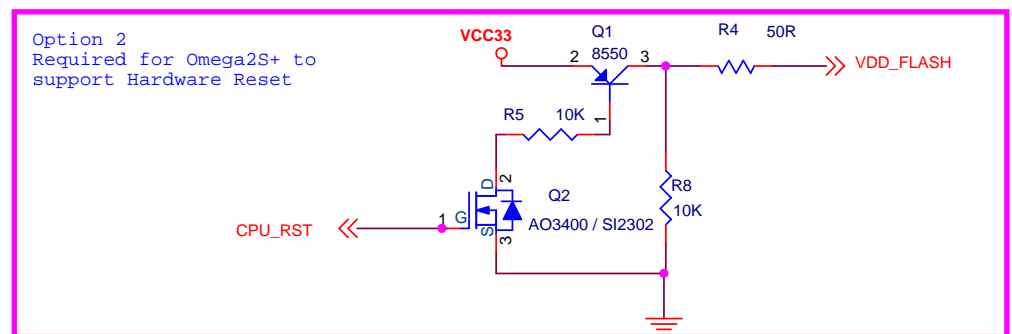
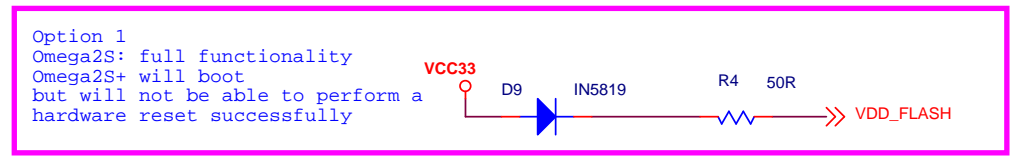
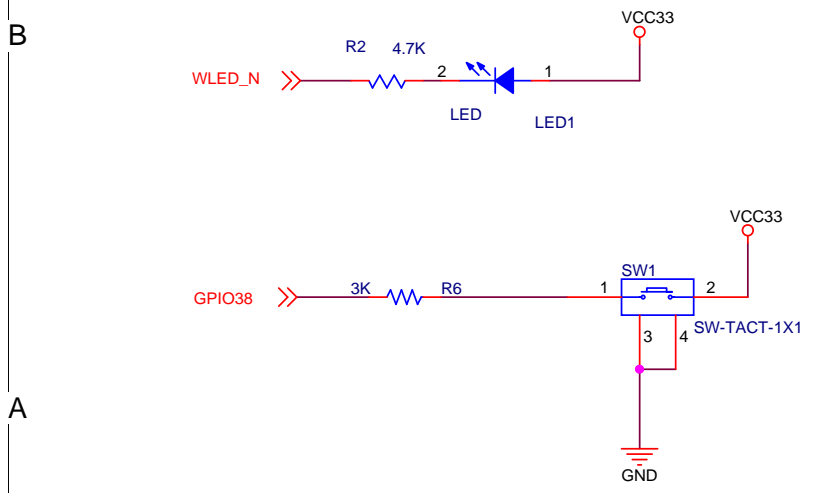
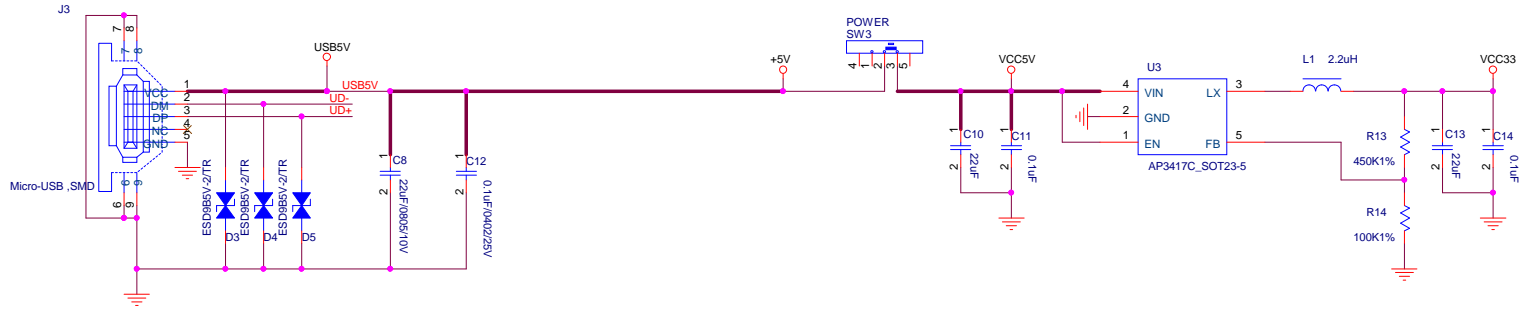


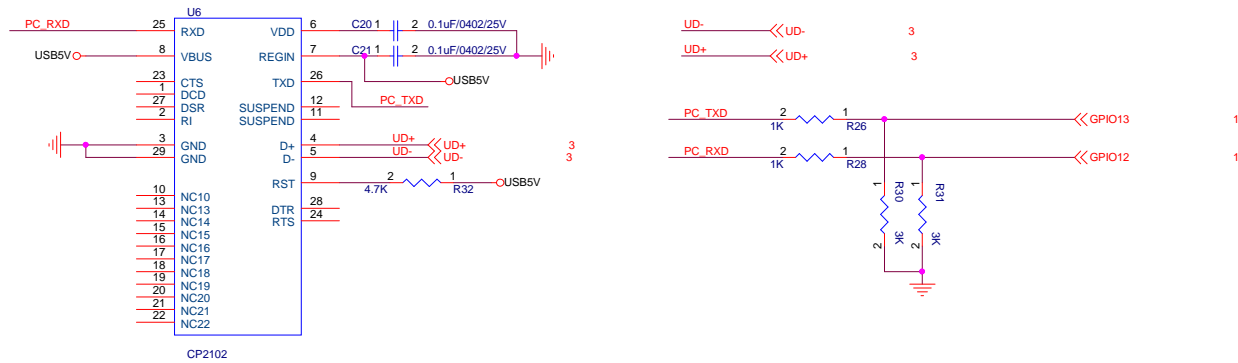
Notice: VDD_FLASH PIN is also a power supply pin.



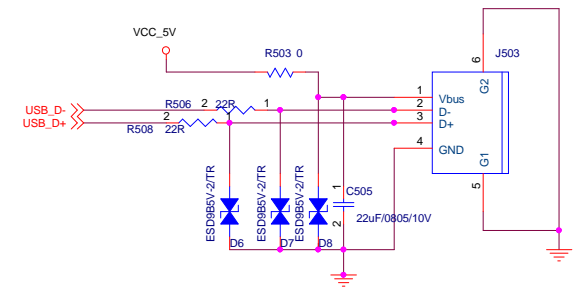
5V DC ADAPTER



5V USB to Uart



5V USB A TYPE OUT



5

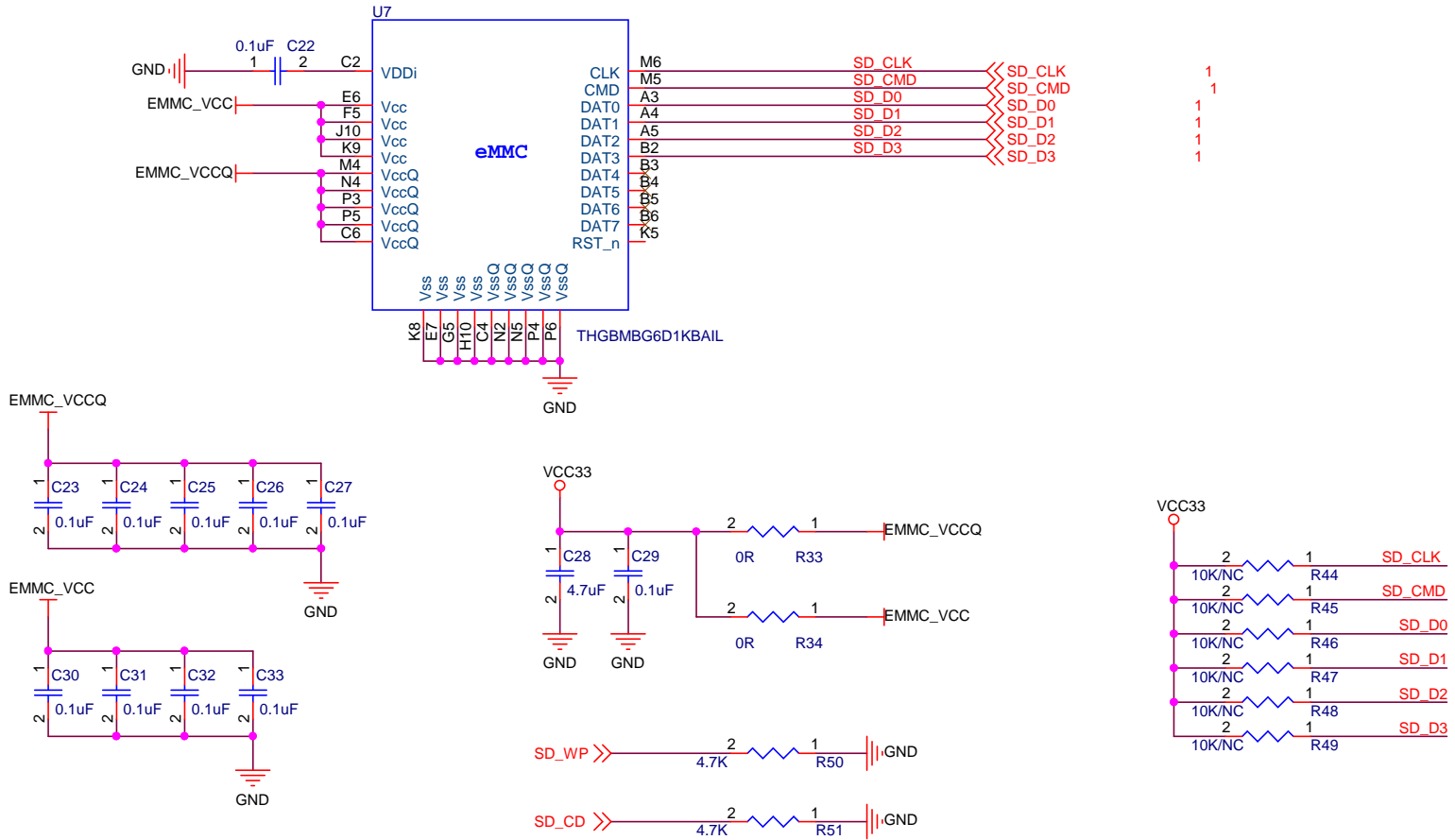
4

3

2

1

The Omega2S can only support one SDIO Device.
 If you are connecting to an EMMC memory device, then do not connect to a Micro-SD Card.



D

D

C

C

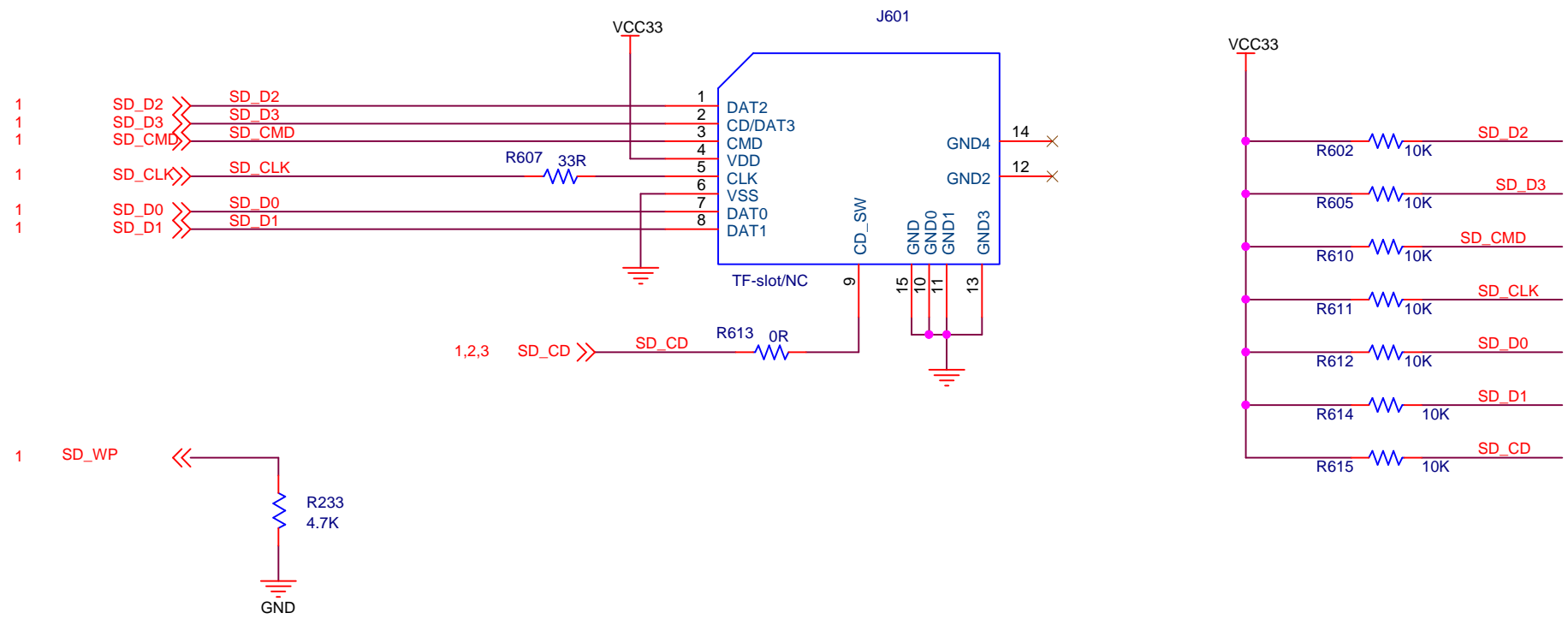
B

B

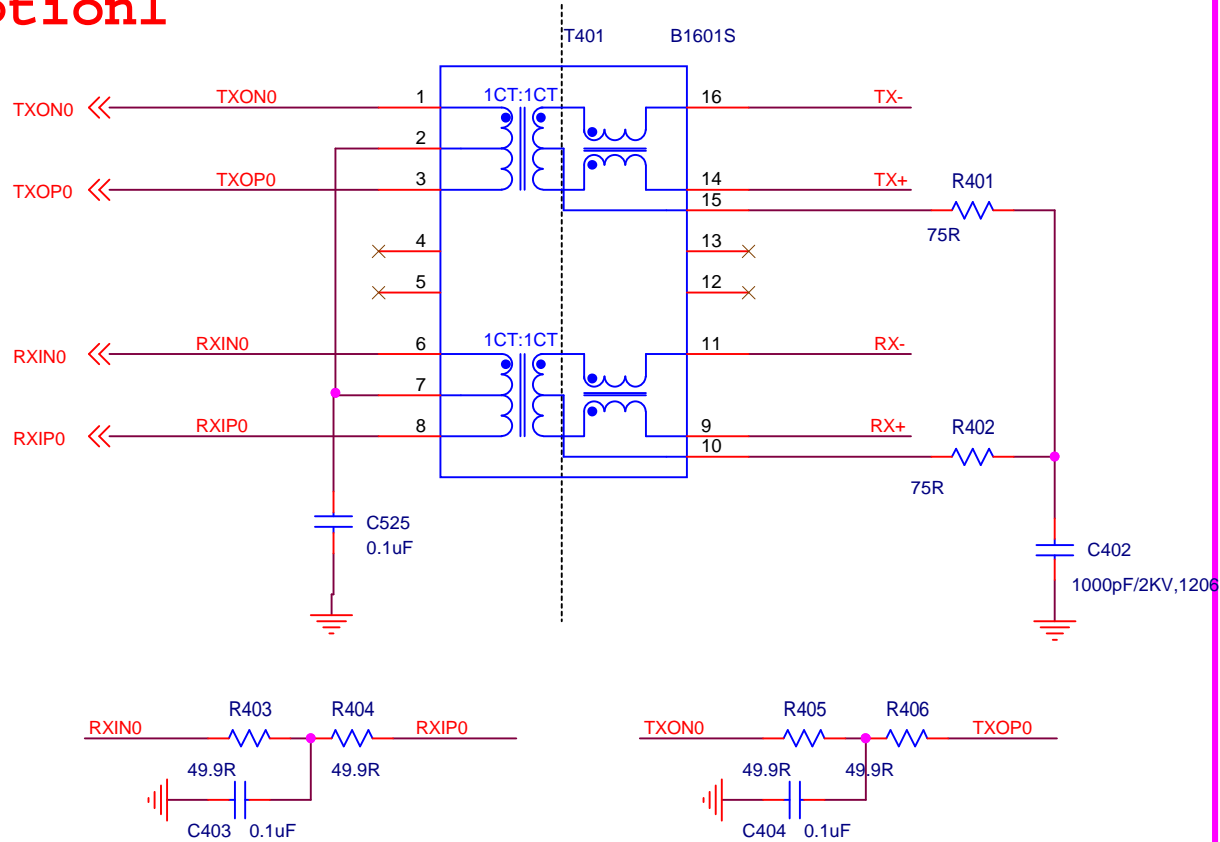
A

A

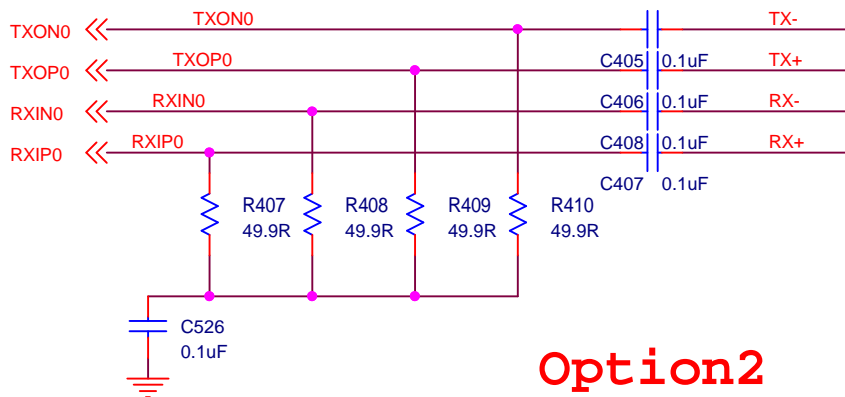
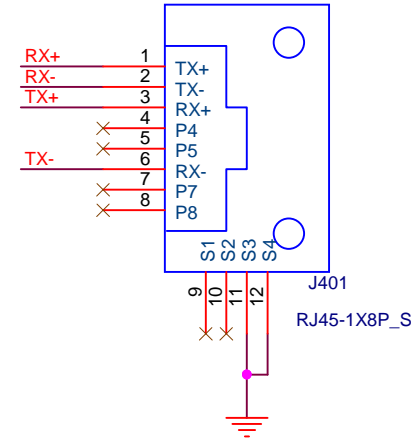
The Omega2S can only support one SDIO Device.
If you are connecting to a Micro-SD card, then do not connect to EMMC memory.



Option1



10/100 WAN port



Option2

There are two Ethernet circuit options:

Option1: The recommended option, good for all data transmissions over Ethernet

Option2: A simpler and more cost-effective solution for data transmissions over Ethernet for short distances (less than 5 meters)