


TQIMX6UL_BASEB

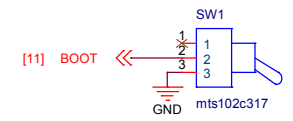
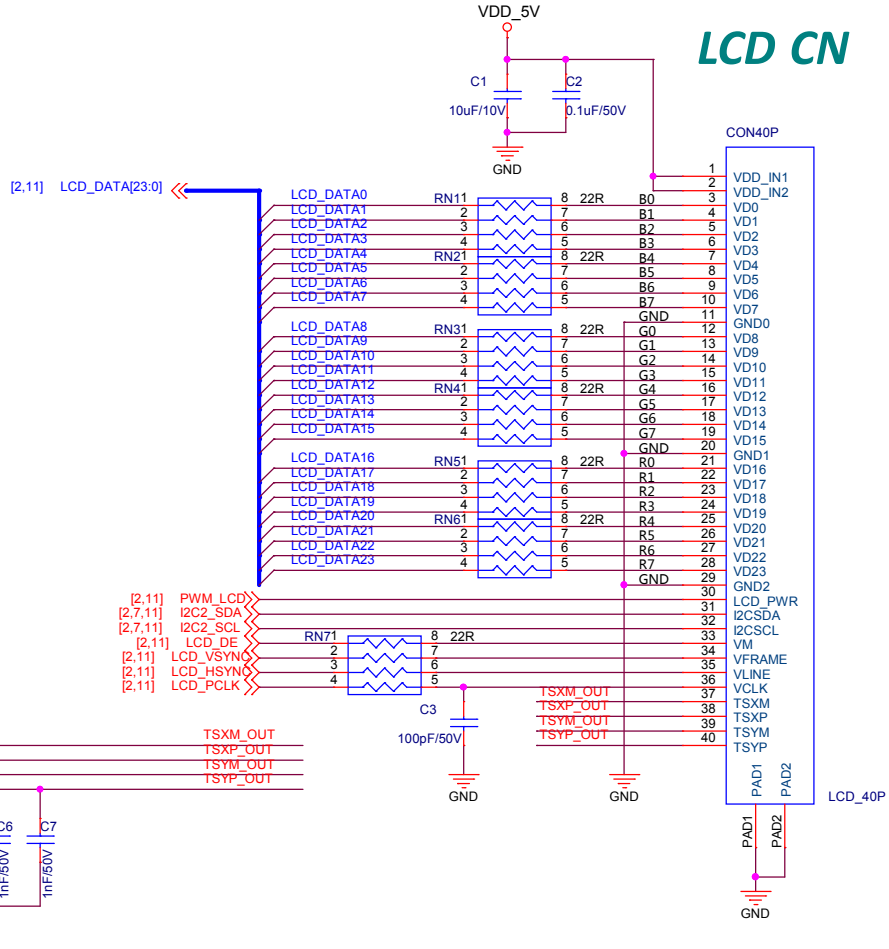
Table of Content

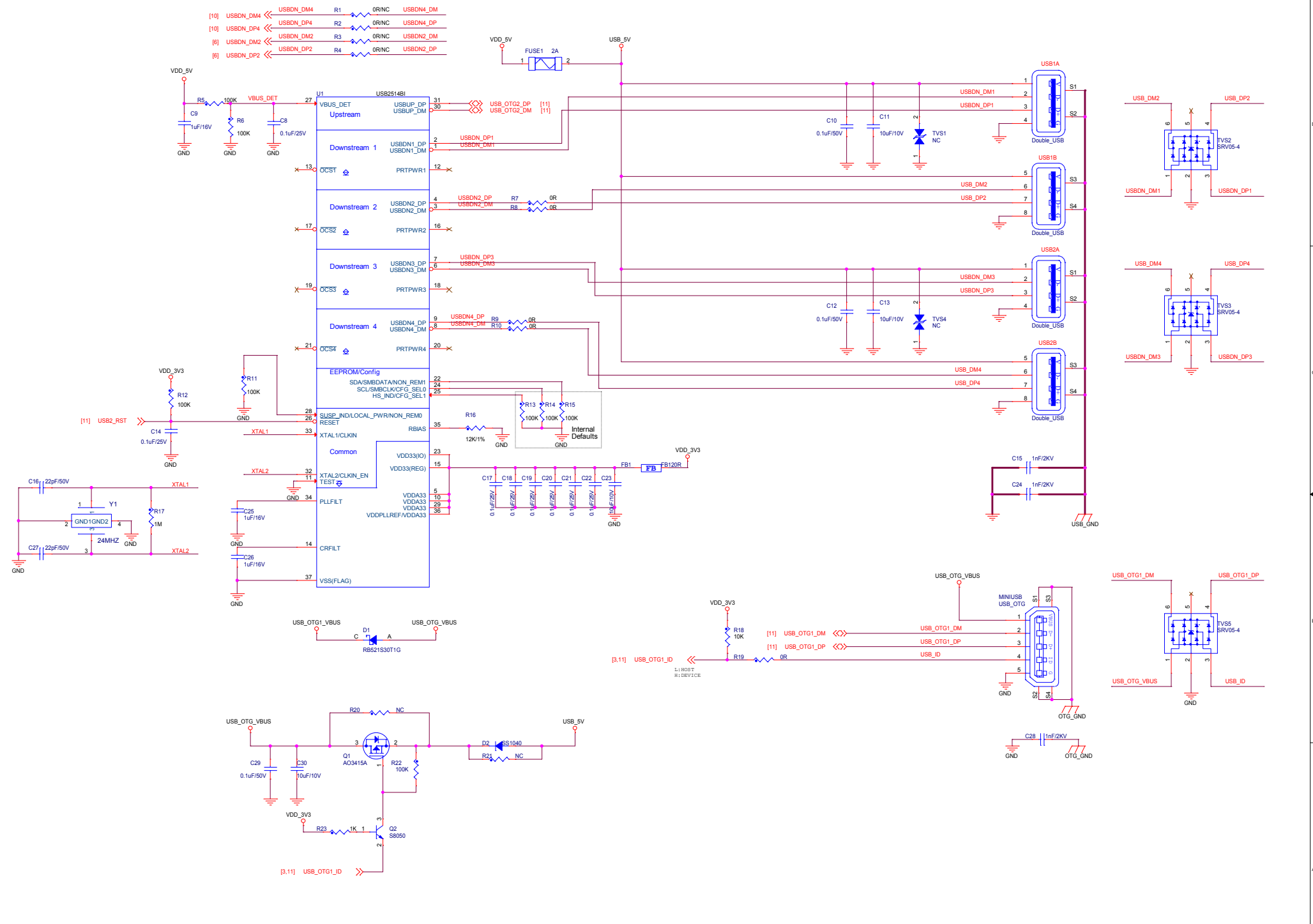
Page 1	<i>Title</i>
Page 2	<i>LCD</i>
Page 3	<i>USB</i>
Page 4	<i>UART</i>
Page 5	<i>CAN</i>
Page 6	<i>RS485/SPI/I2C/PWM/GPIO</i>
Page 7	<i>Audio</i>
Page 8	<i>RMII1</i>
Page 9	<i>RMII2</i>
Page 10	<i>SD</i>
Page 11	<i>Connection</i>
Page 12	<i>JTAG</i>
Page 13	<i>SYS POWER</i>
Page 14	

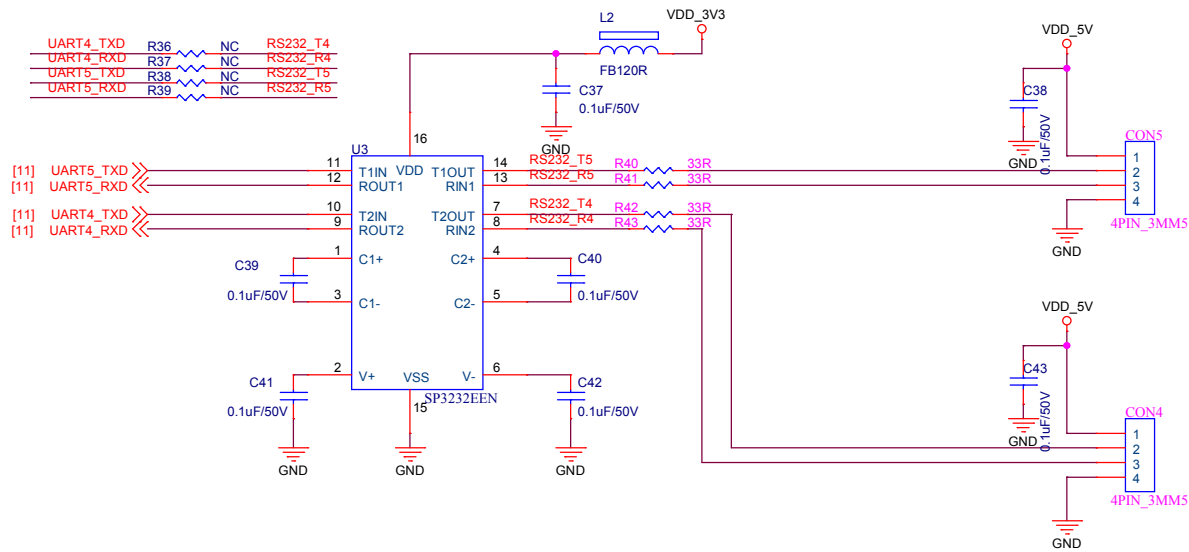
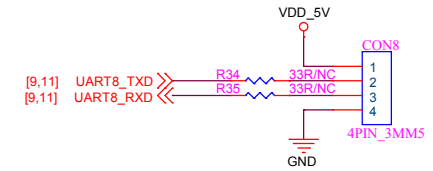
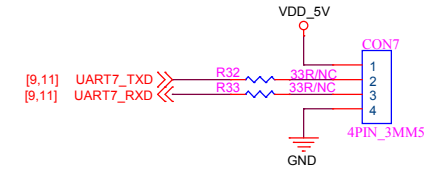
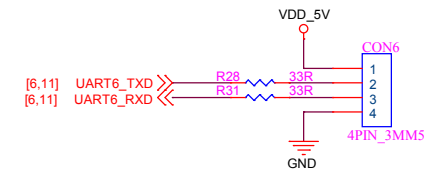
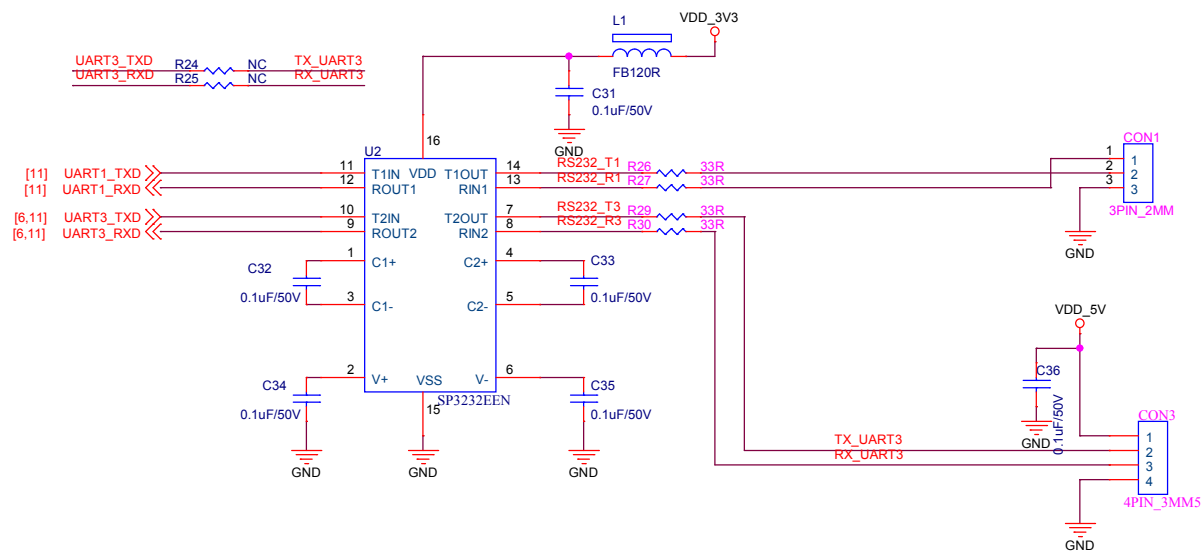
 天嵌科技 EMBEDSKY TECH		http://www.embedsky.com	
Title			
TQIMX6UL_BASEB			
Size	Document Number		Rev
B	Title		0
Date:	Saturday, November 18, 2017	Sheet	1 of 13

LCD IF

- [2,11] PWM_LCD >> PWM_LCD
- [2,11] LCD_PCLK >> LCD_PCLK
- [2,11] LCD_DE >> LCD_DE
- [2,11] LCD_HSYNC >> LCD_HSYNC
- [2,11] LCD_VSYNC >> LCD_VSYNC
- [2,11] LCD_DATA[23:0] >> LCD_DATA[23:0]
- [2,7,11] I2C2_SDA <<> I2C2_SDA
- [2,7,11] I2C2_SCL <<> I2C2_SCL







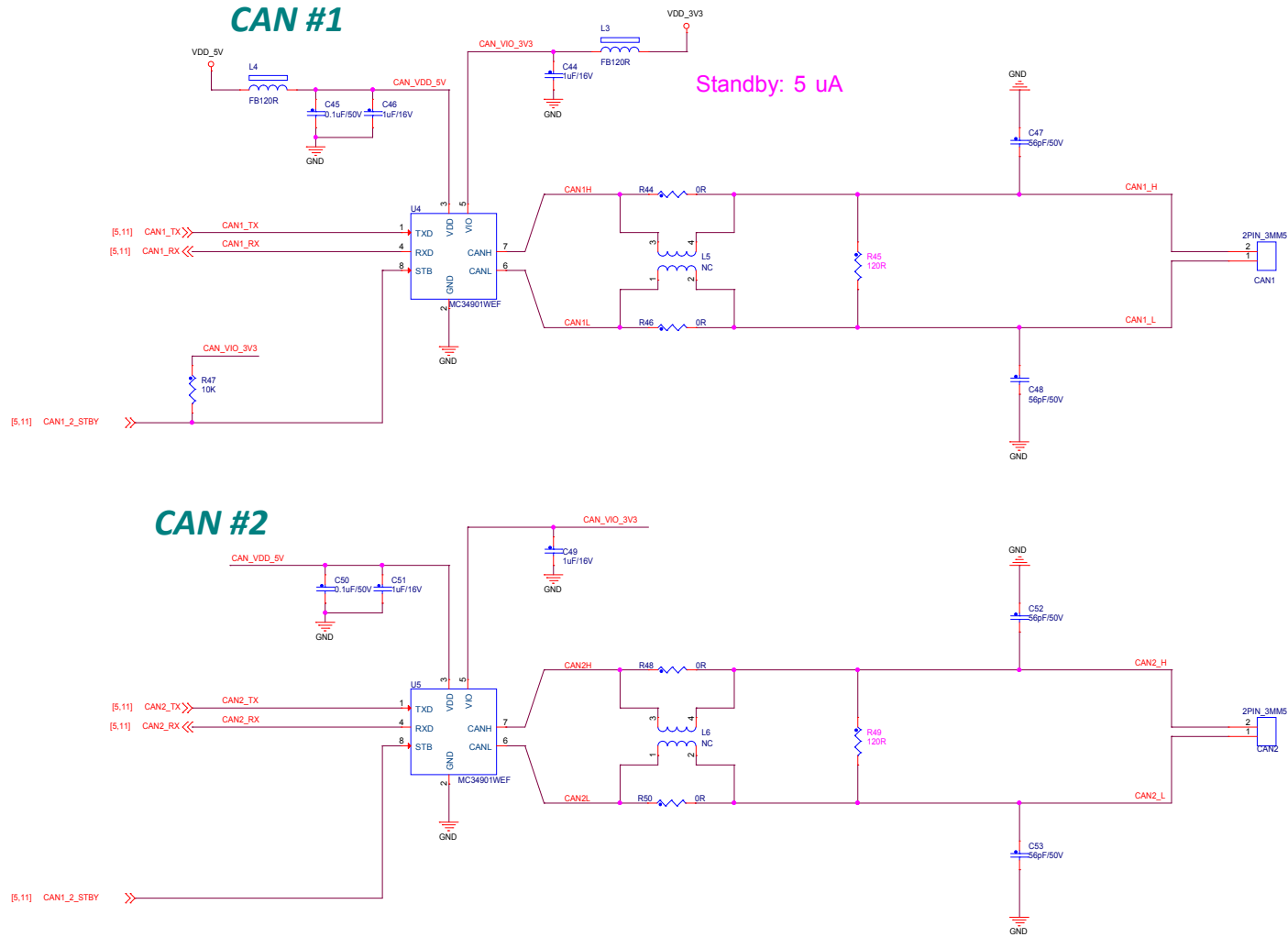
<http://www.embedsky.com>

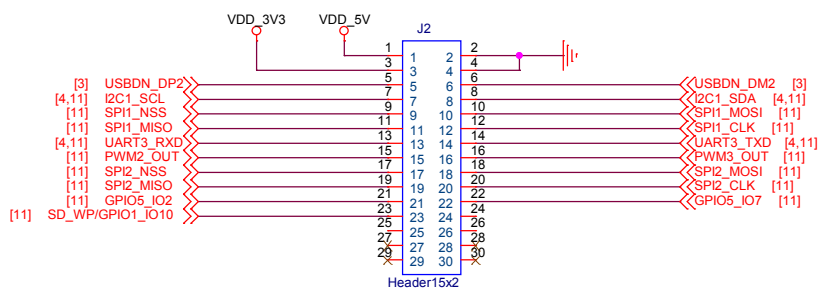
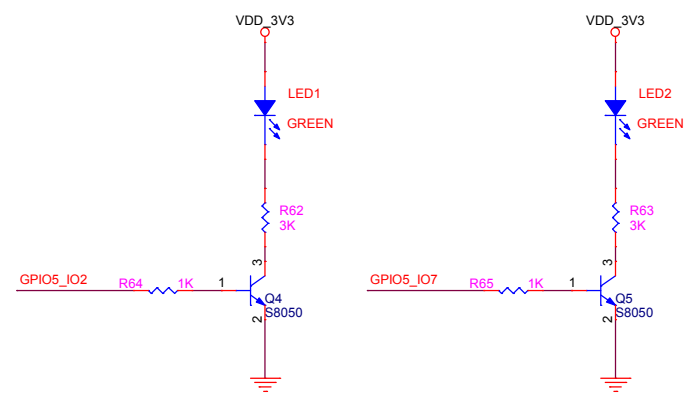
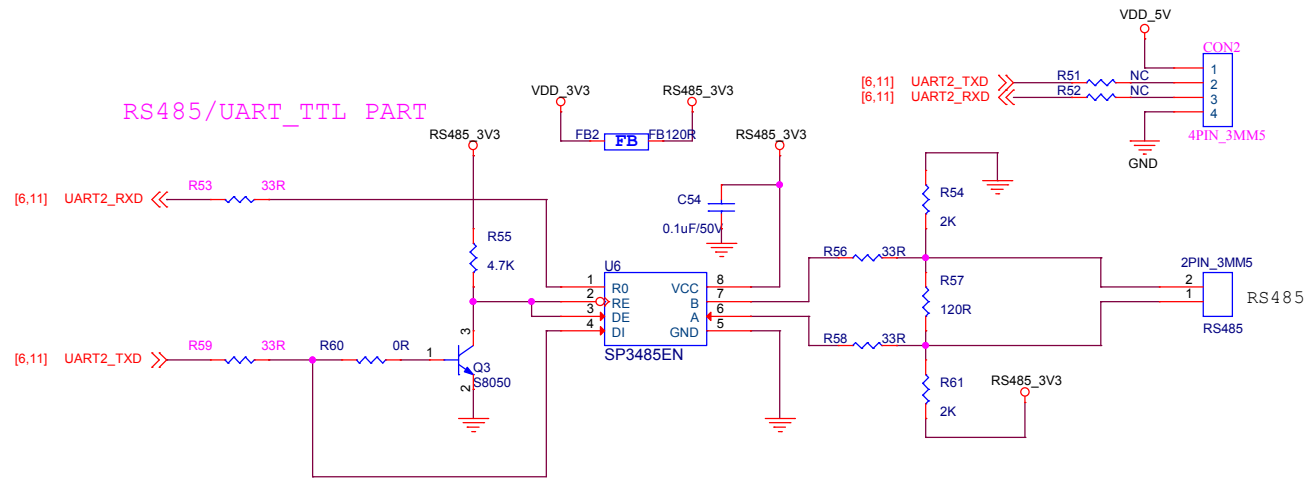
Title		
TQIMX6UL_BASEB		
Size	Document Number	Rev
B	UART	0
Date:	Saturday, November 18, 2017	Sheet 4 of 13

High Speed CAN Transceiver

FSL High Speed CAN Transceiver

- [5.11] CAN1_TX >> CAN1_TX
- [5.11] CAN1_RX << CAN1_RX
- [5.11] CAN2_TX >> CAN2_TX
- [5.11] CAN2_RX << CAN2_RX
- [5.11] CAN1_2_STBY >> CAN2_STBY

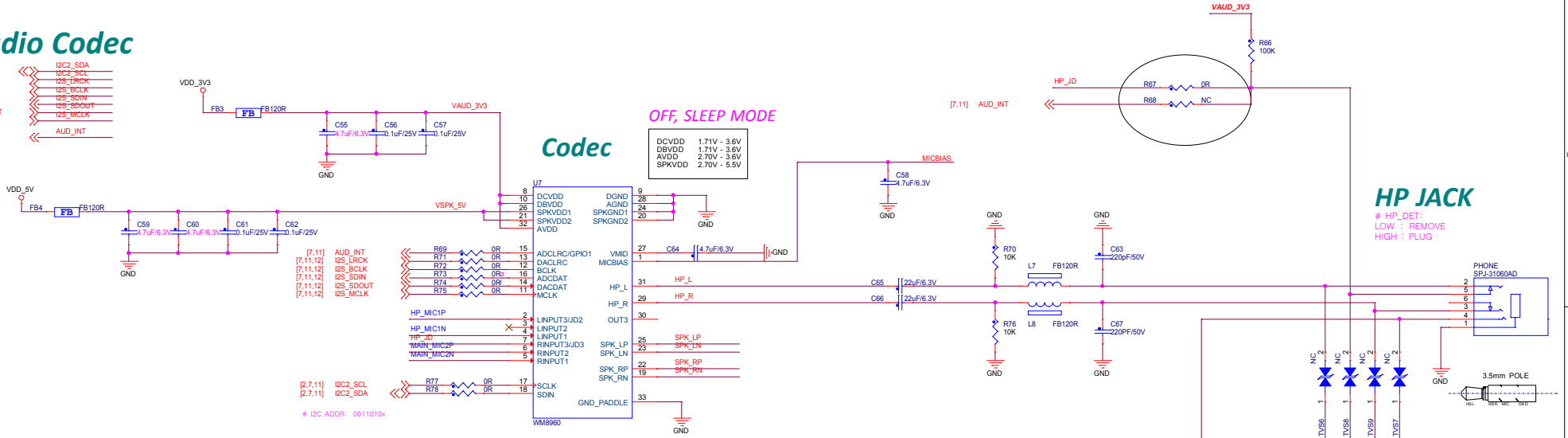




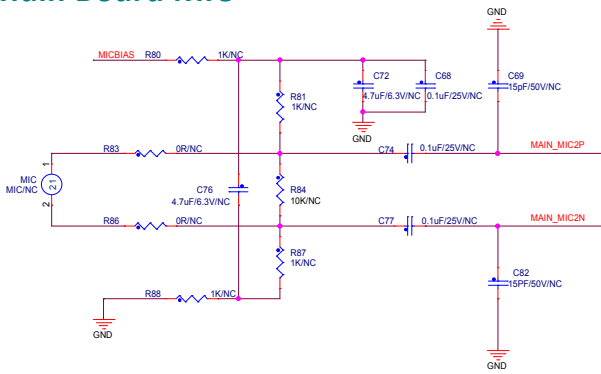
http://www.embedsky.com	
Title: TQIMX6UL_BASEB	
Size B	Document Number: RS485/SPI/I2C/PWM/GPIO
Date: Thursday, November 30, 2017	Rev 0
Sheet 6	of 13

Audio Codec

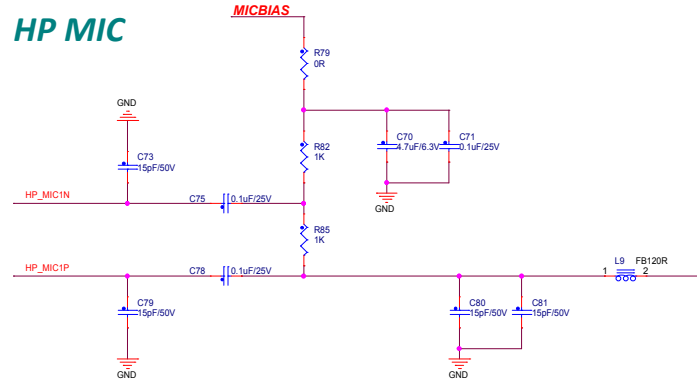
- [2,7,11] I2C2_SDA
- [2,7,11] I2C2_SCL
- [7,11,12] I2S_LRCK
- [7,11,12] I2S_BCLK
- [7,11,12] I2S_SCKIN
- [7,11,12] I2S_SCKOUT
- [7,11,12] I2S_MCLK
- [7,11] AUD_INT



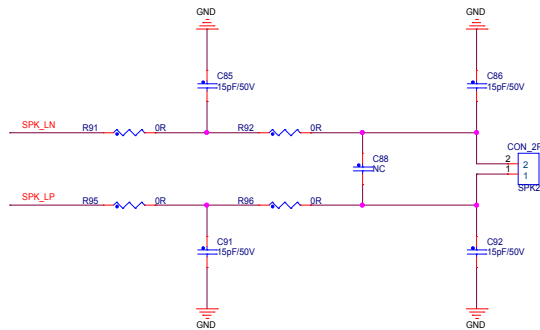
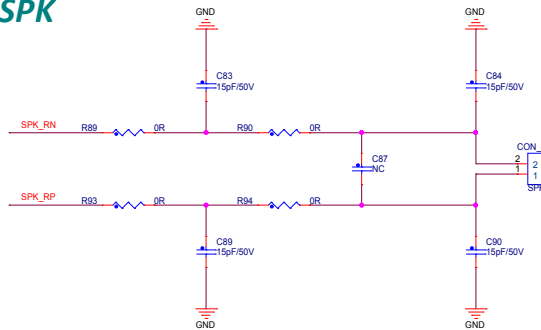
Main Board MIC

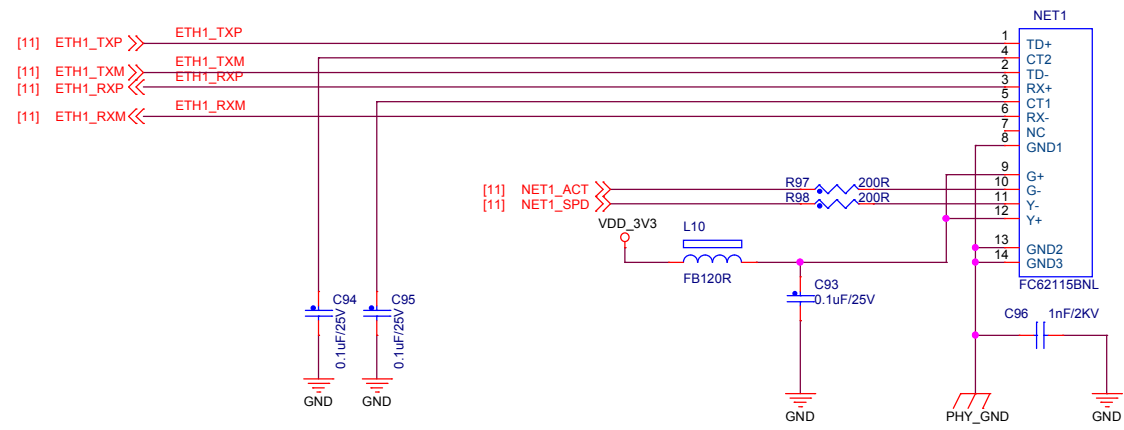


HP MIC



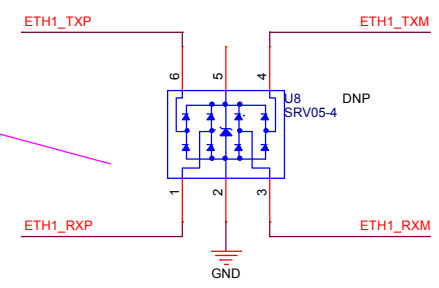
SPK






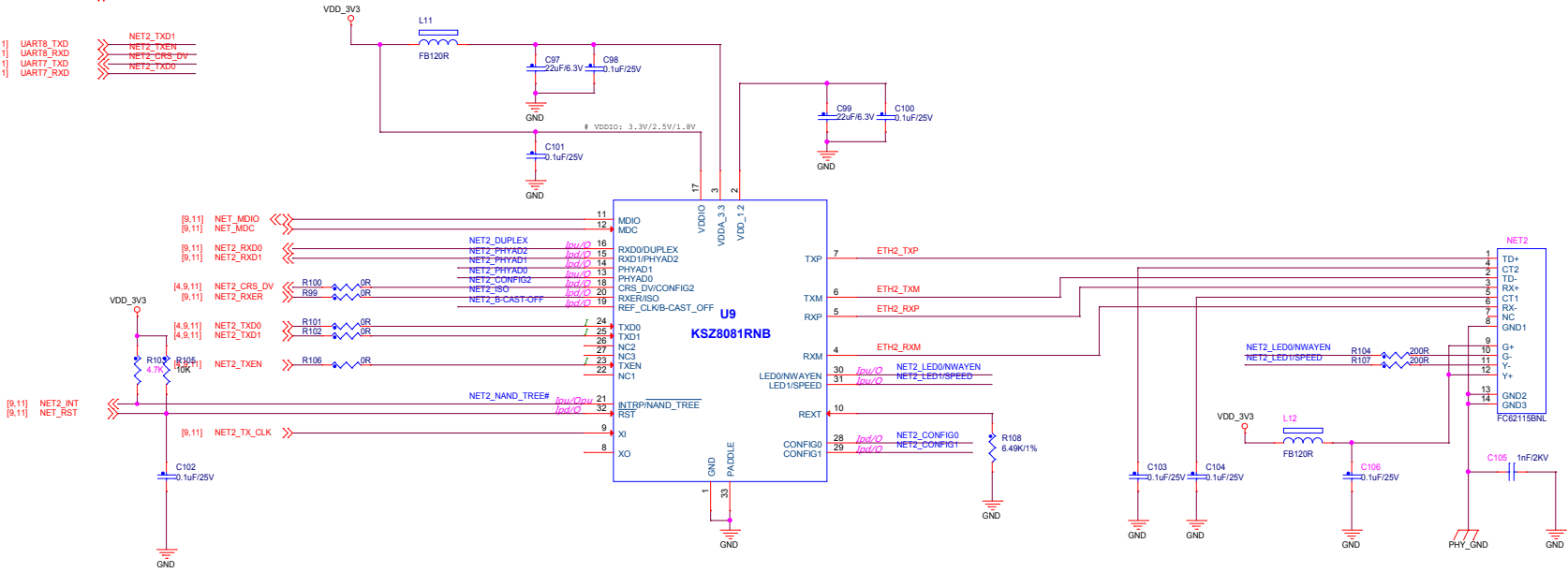
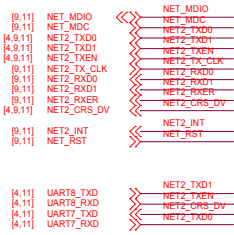
ESD PROTECTION

2rd LEVEL ESD

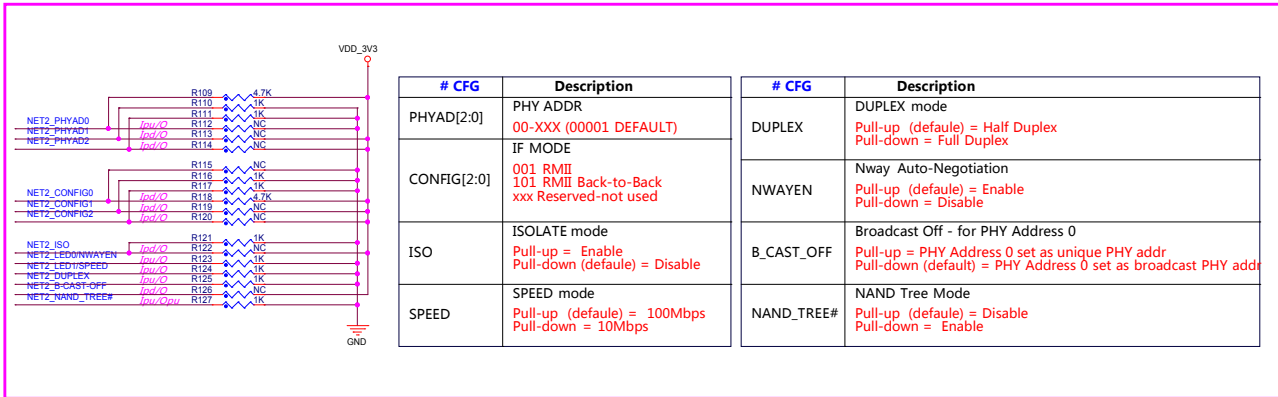


 http://www.embedsky.com	
Title	
TQIMX6UL_BASEB	
Size	Document Number
B	RMII1
Date:	Saturday, November 18, 2017
Sheet	8 of 13
Rev	0

100M ETHERNET RMII PHY x2

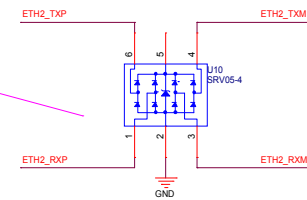


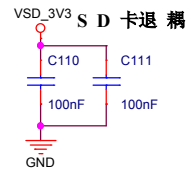
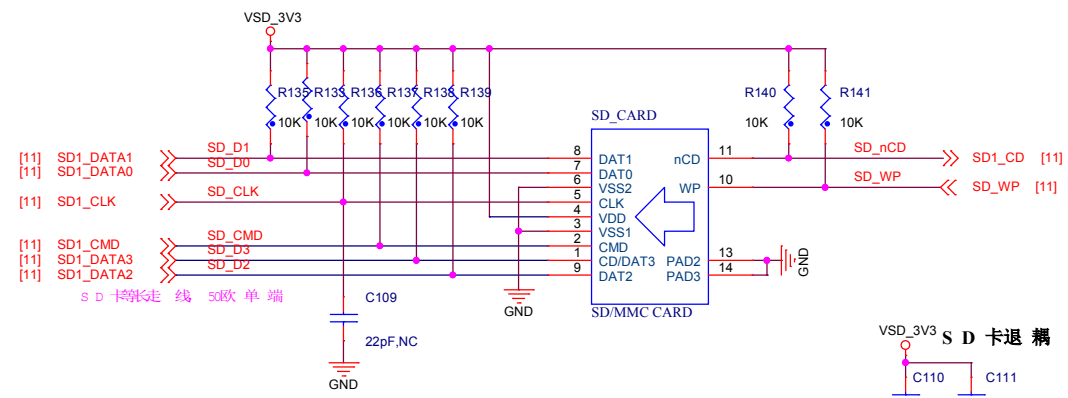
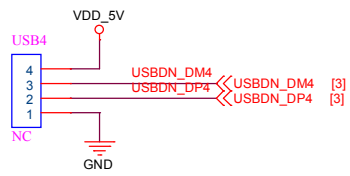
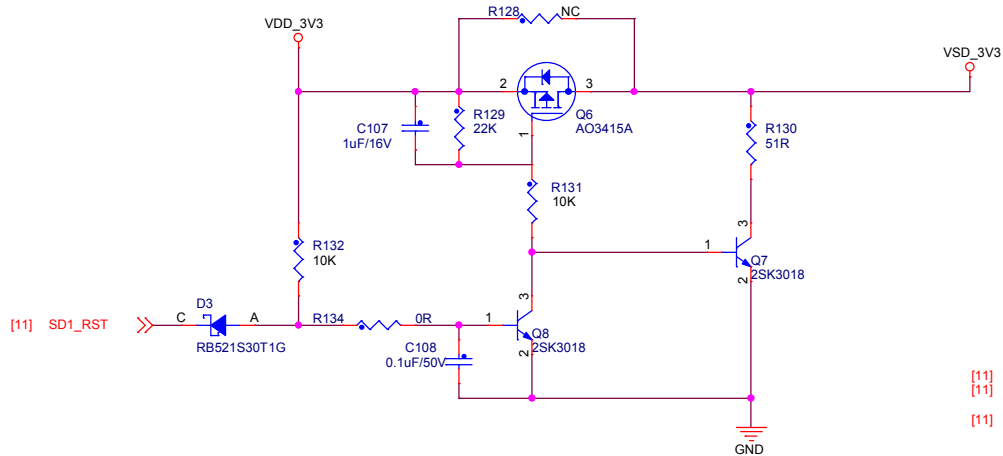
RMII CFG



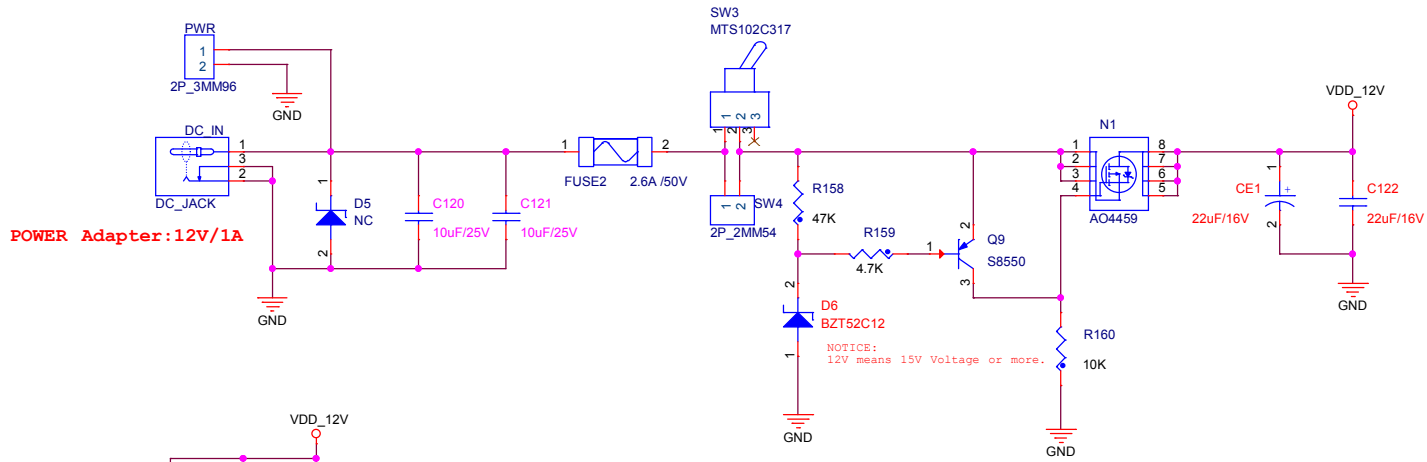
ESD PROTECTION

2rd LEVEL ESD



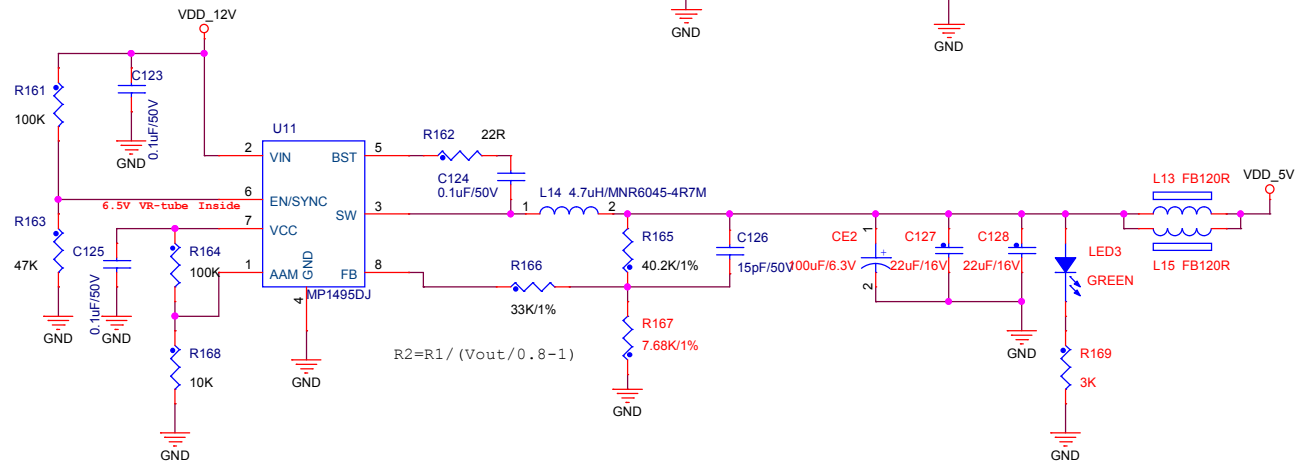


SD CARD

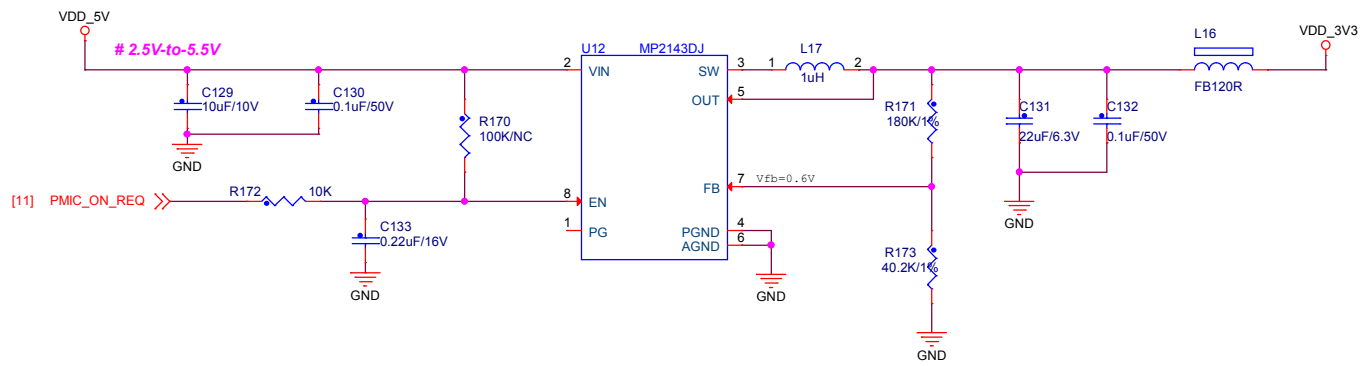


POWER Adapter:12V/1A

NOTICE:
12V means 15V Voltage or more.



$$R2 = R1 / (Vout / 0.8 - 1)$$



[11] PMIC_ON_REQ >>

天嵌科技 EMBEDSKY TECH		http://www.embedsky.com	
Title TQIMX6UL_BASEB			
Size B	Document Number SYS POWER		Rev 0
Date:	Saturday, November 18, 2017	Sheet	13 of 13