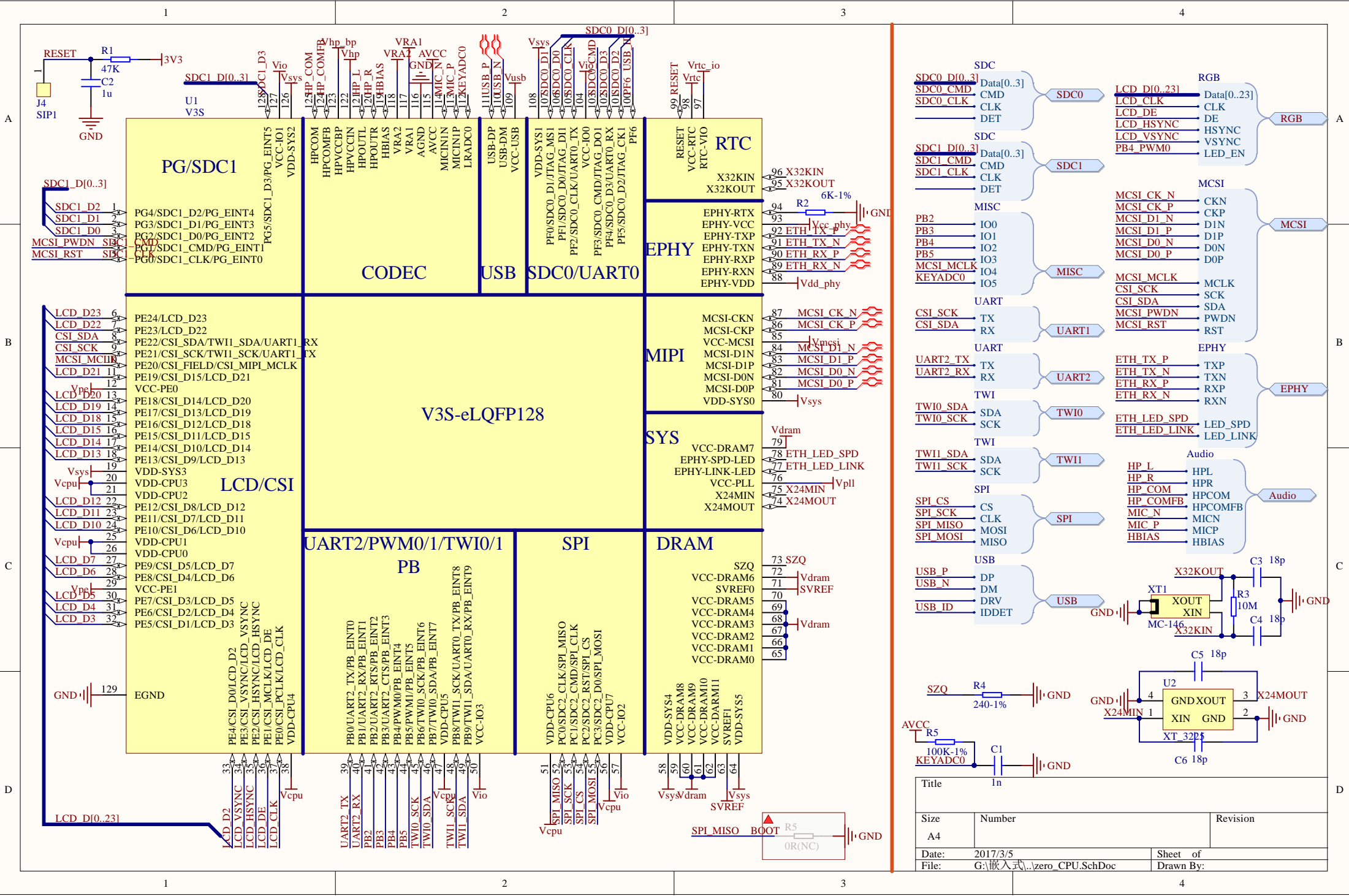


Title		
Size A4	Number	Revision
Date:	2017/3/5	Sheet of
File:	G:\嵌入式\lichee_zero.SchDoc	Drawn By:



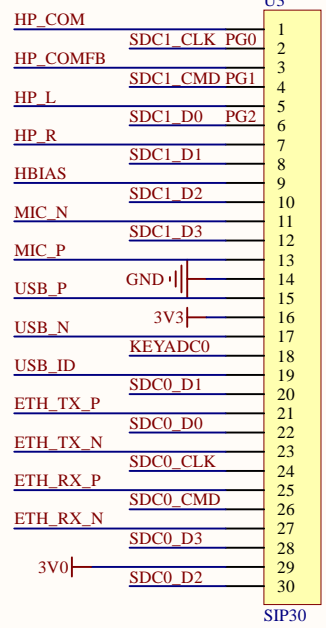
Title		
Size	Number	Revision
A4		
Date:	2017/3/5	Sheet of
File:	G:\嵌入式\zero_CPU.SchDoc	Drawn By:

上方

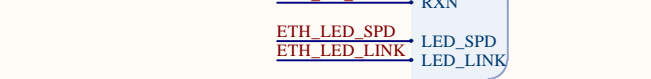
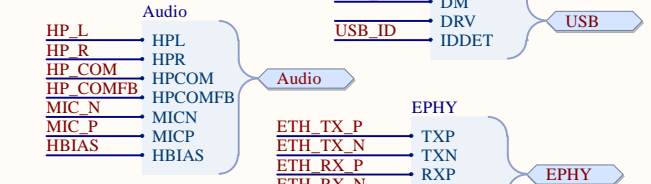
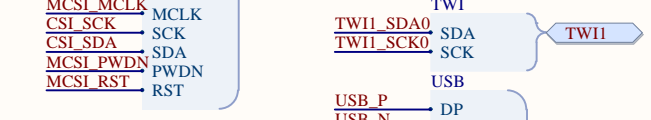
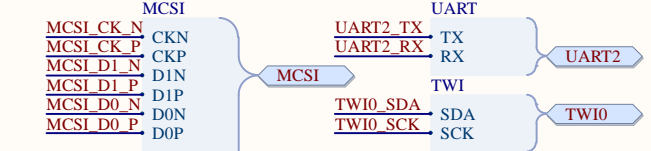
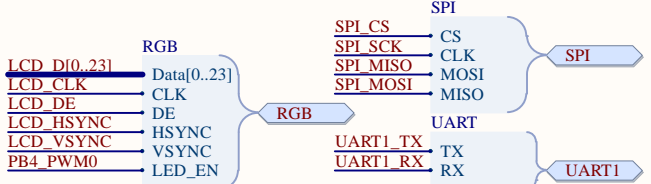
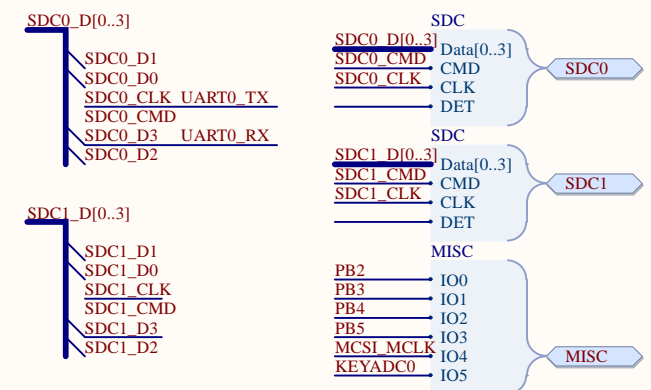
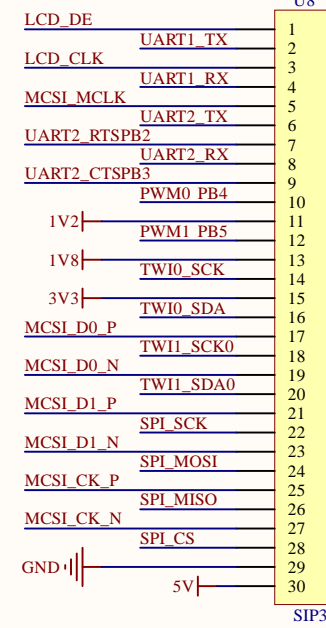
下方

2*15P 2.54mm 排针引出
 两列排针间距900mil, 可直接插入面包板

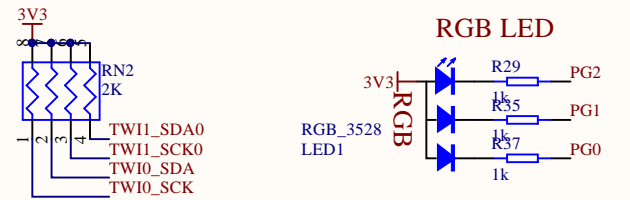
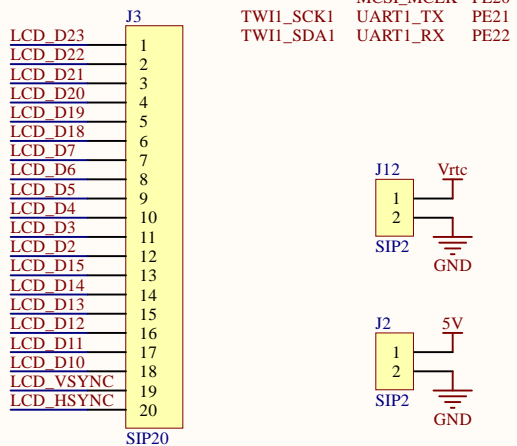
仅邮票孔 邮票&直插 上方
 U3



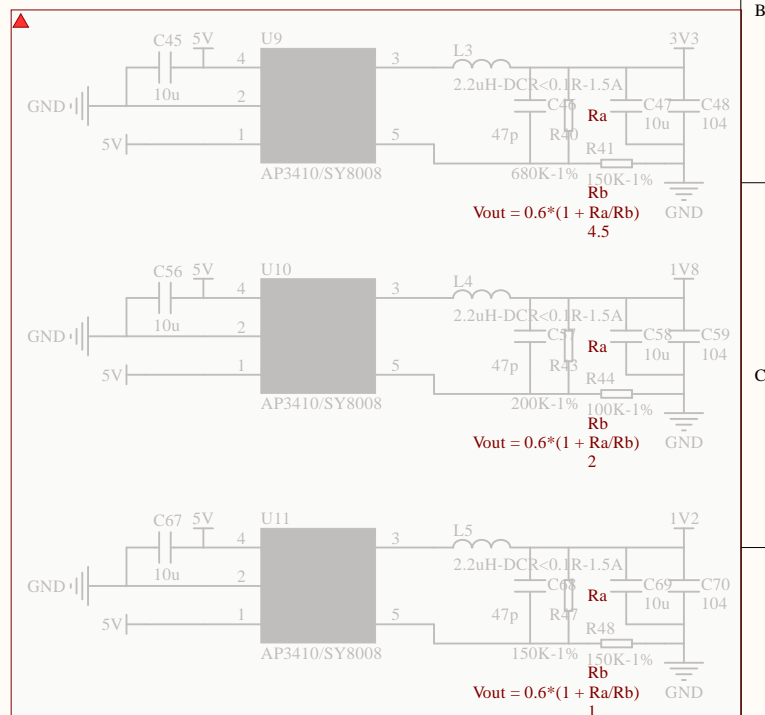
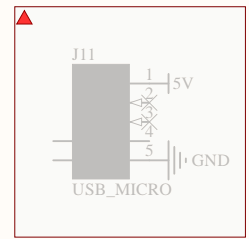
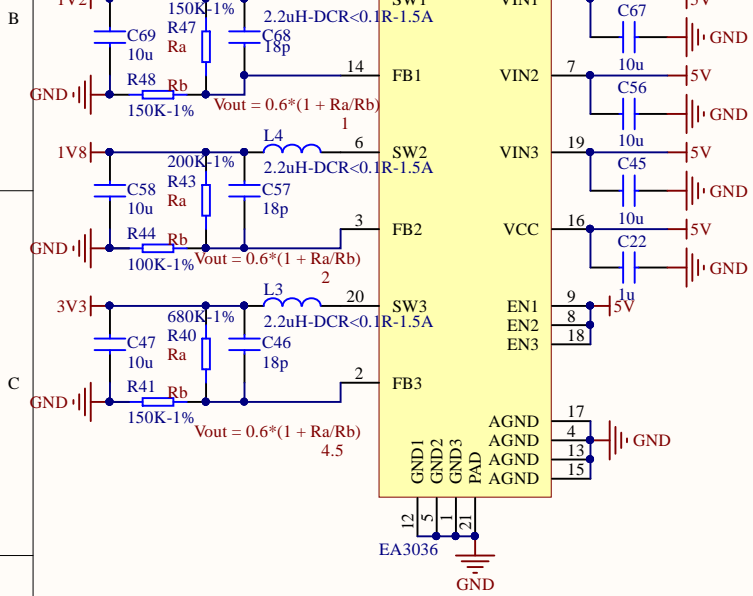
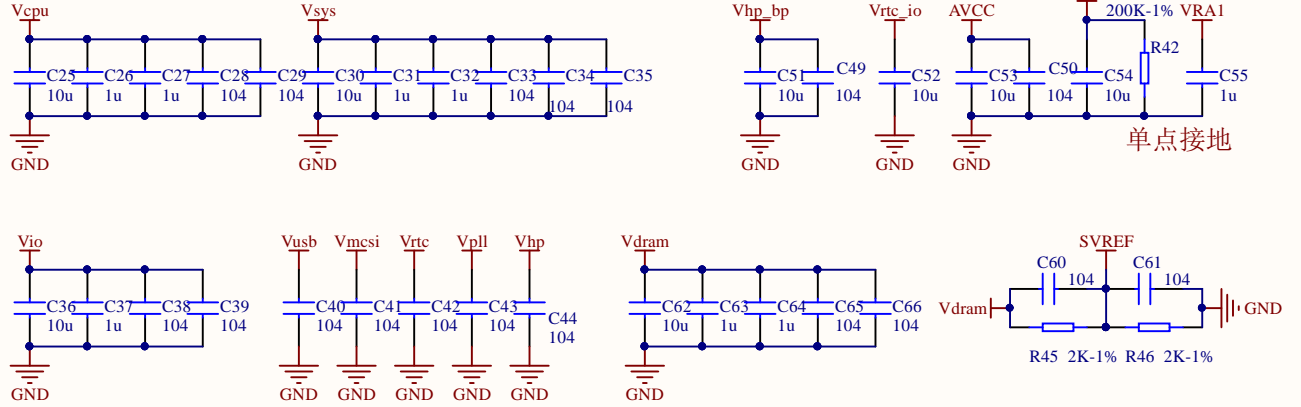
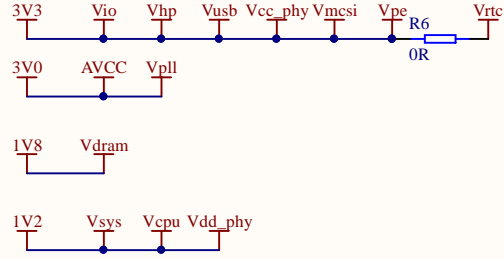
仅邮票孔 邮票&直插 下方
 U8



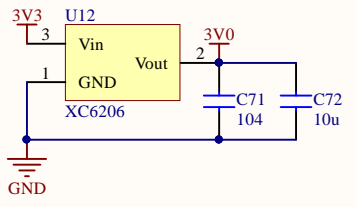
Title		
Size	Number	Revision
A4		
Date:	2017/3/5	Sheet of
File:	G:\嵌入式\zero_IF.SchDoc	Drawn By:



电源树



DCDC&LDO



Title		
Size	Number	Revision
A4		
Date:	2017/3/5	Sheet of
File:	G:\嵌入式\zero_Power.SchDoc	Drawn By: