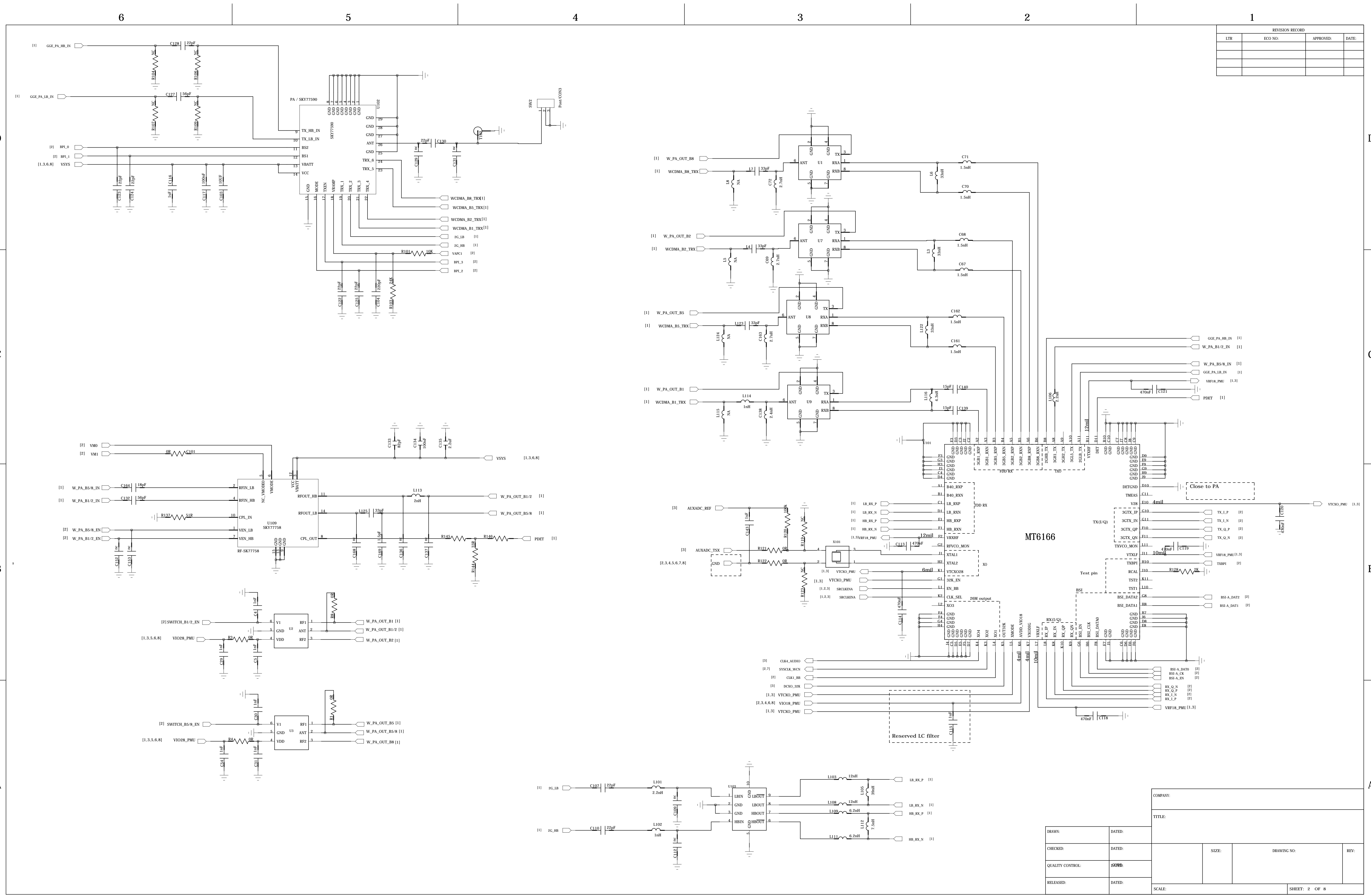


REVISION RECORD			
LTR	ECO NO.	APPROVED:	DATE:

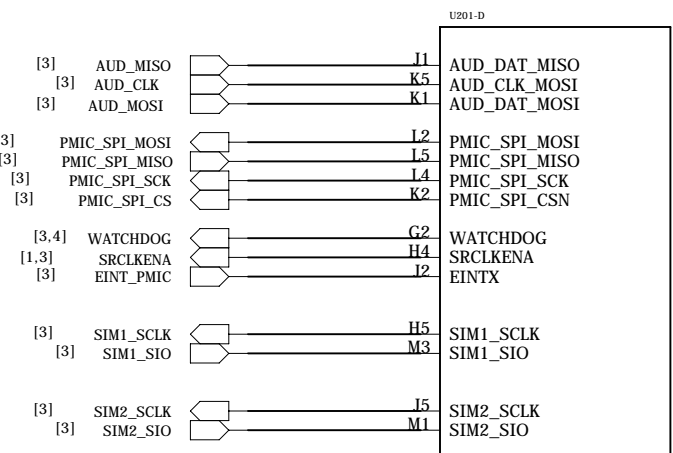


COMPANY:			
TITLE:			
DRAWN:	DATED:	SIZE:	DRAWING NO.
CHECKED:	DATED:	REV:	
QUALITY CONTROL:	DATED:	SCALE:	
RELEASED:	DATED:	SHEET: 2 OF 8	

BASEBAND

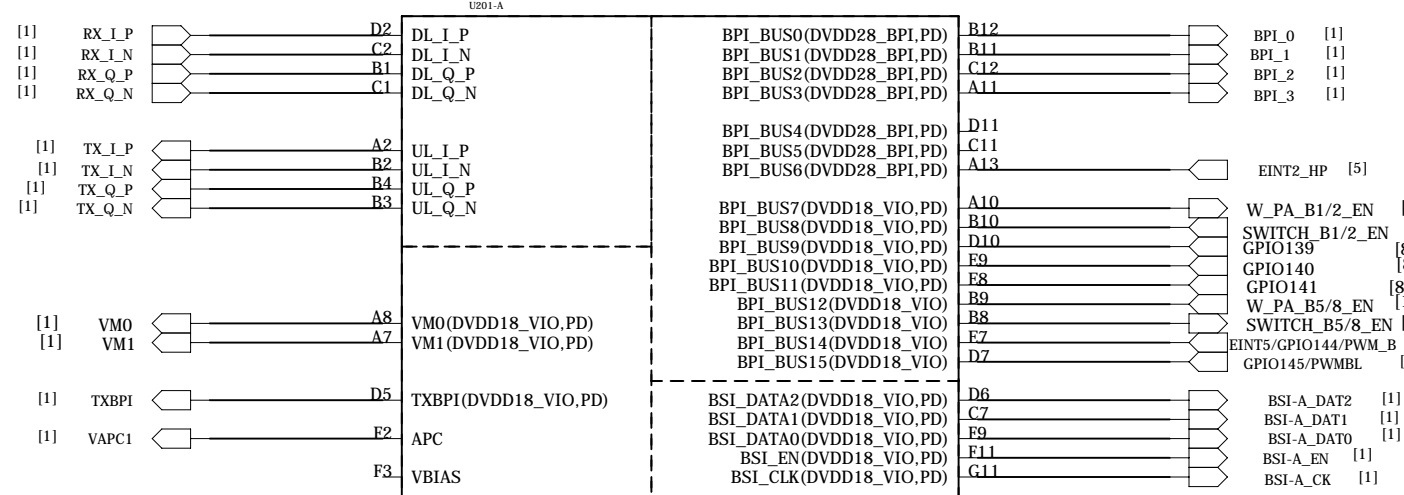
REVISION RECORD			
LTR	ECO NO.	APPROVED:	DATE:

PMU CONTROL

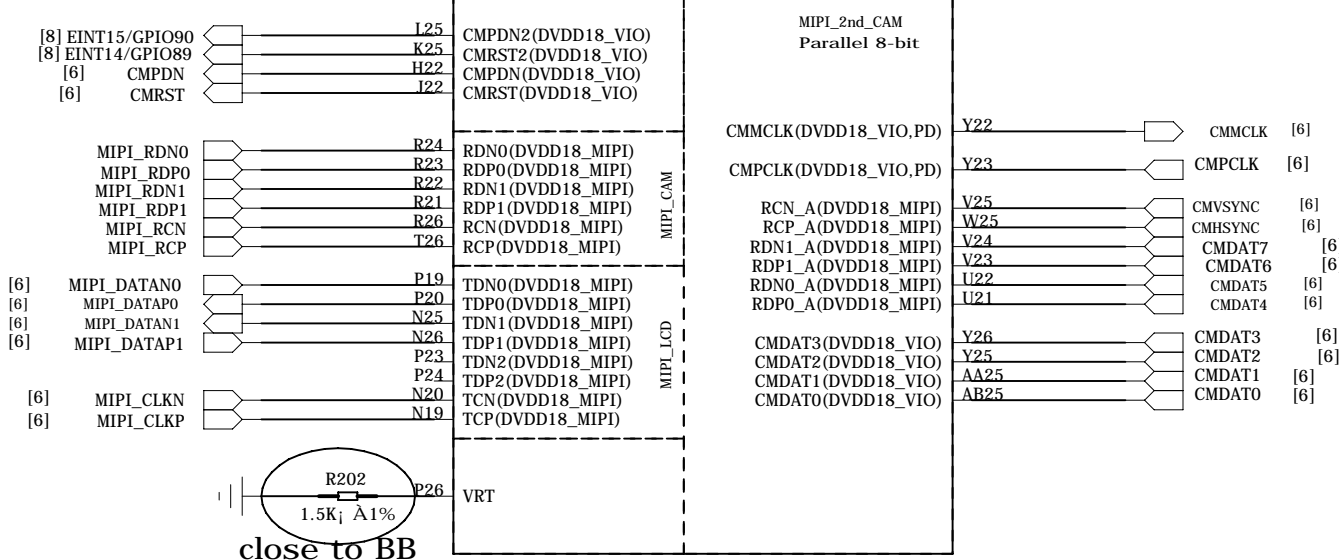


RF

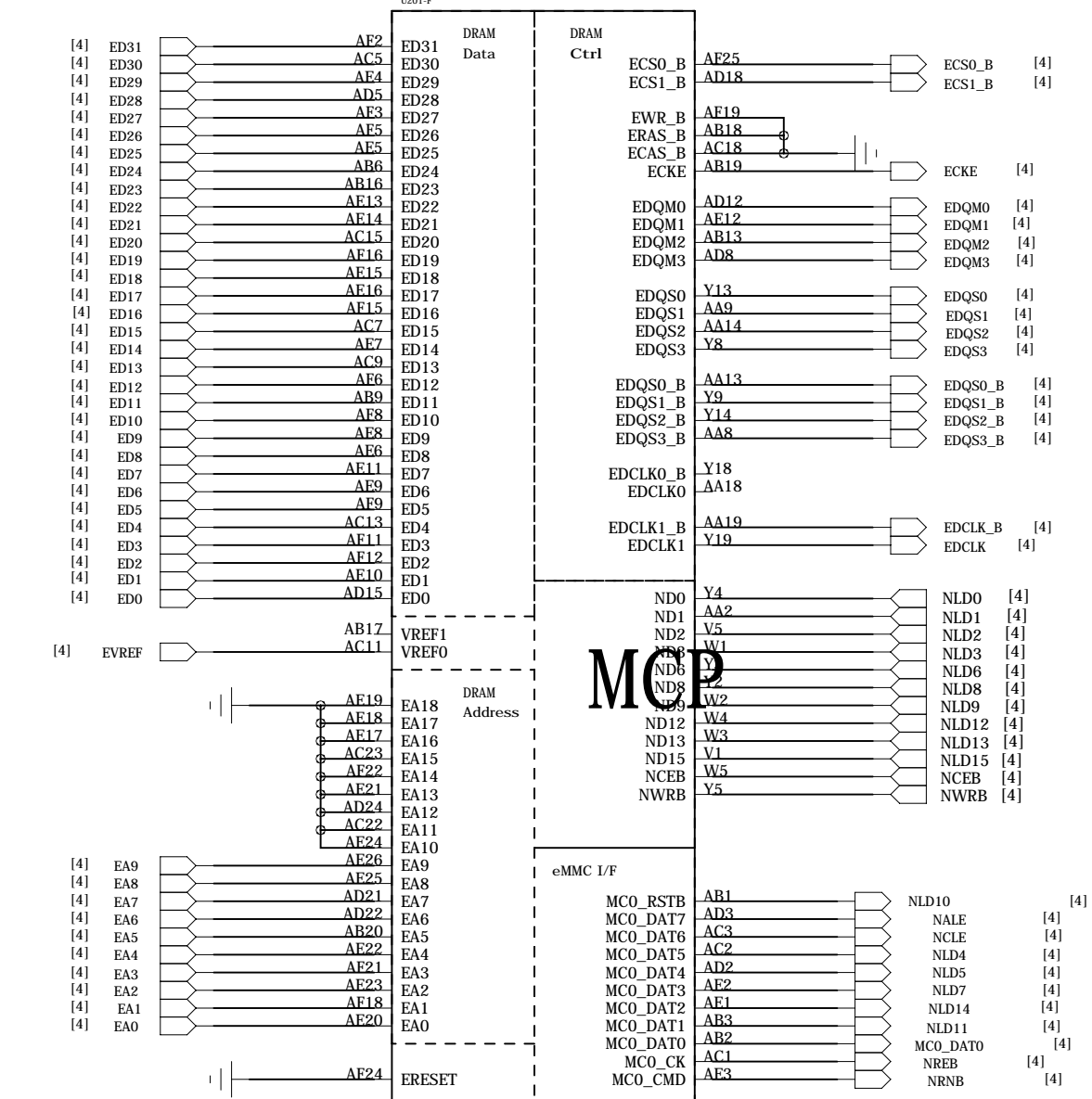
BP10-4 and 10-11 are 2G+3G mode both
BP15-9 and 12-14 are 3G mode only
(suggest BP15-9 = 1.8V)



CAMERA & LCD



MCP



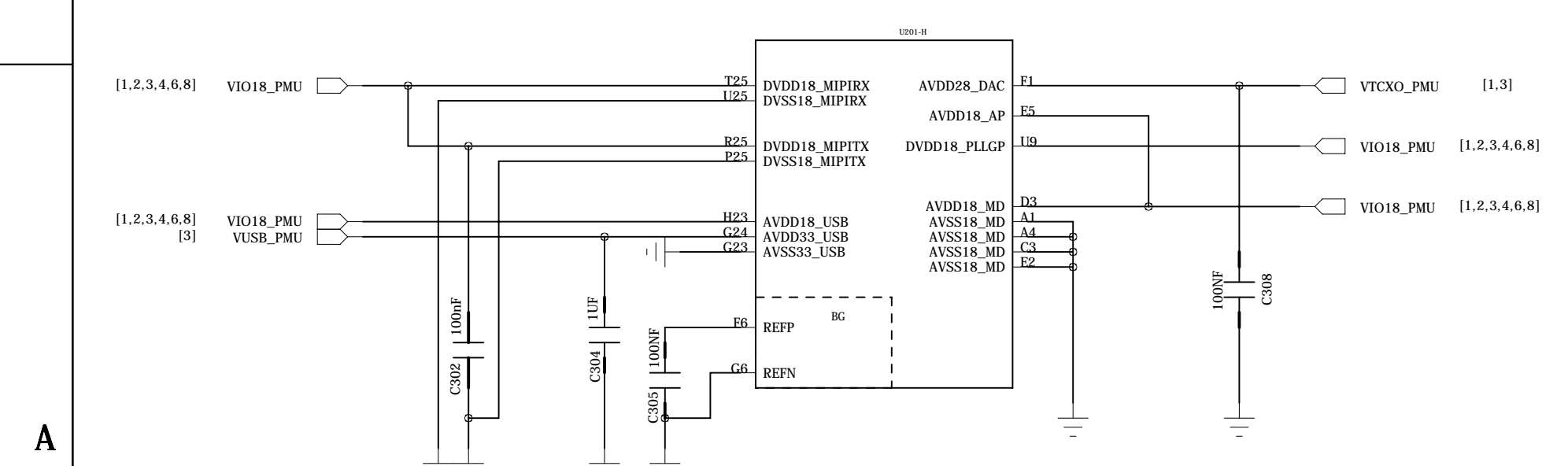
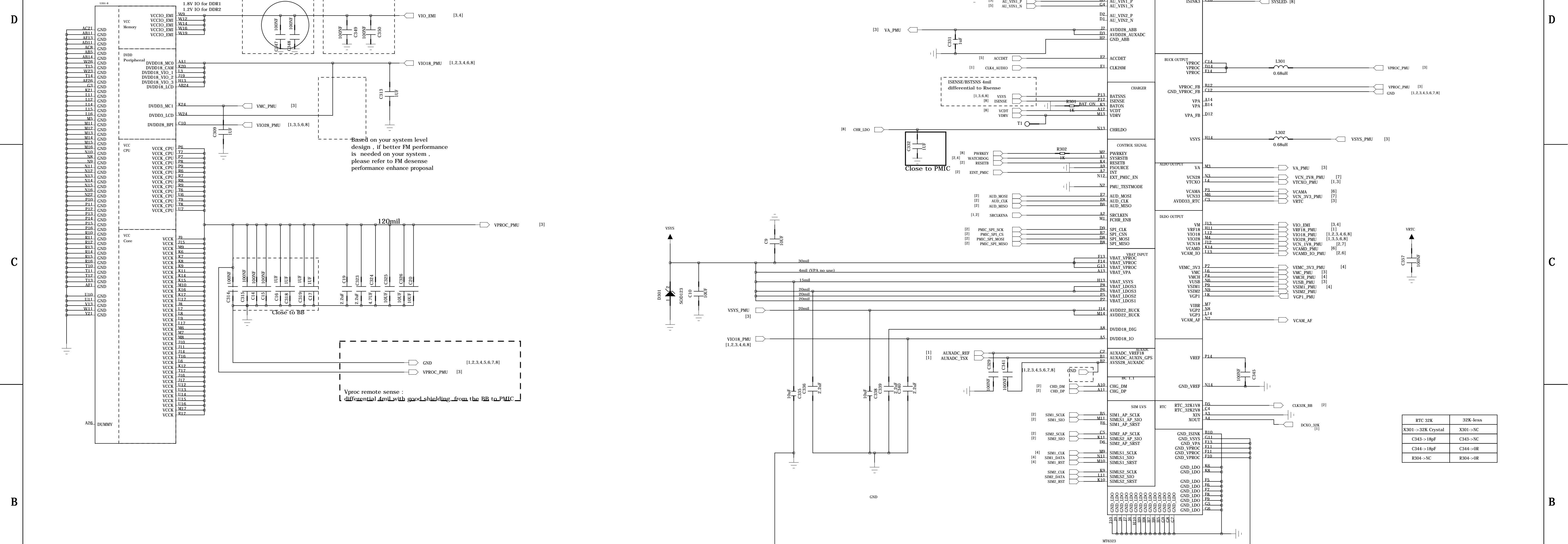
REVISION RECORD			
LTR	ECO NO.	APPROVED:	DATE:

If double-sided SMT, put C347 & C348 below BB.
If single-sided SMT, put C347 & C348 around memory.

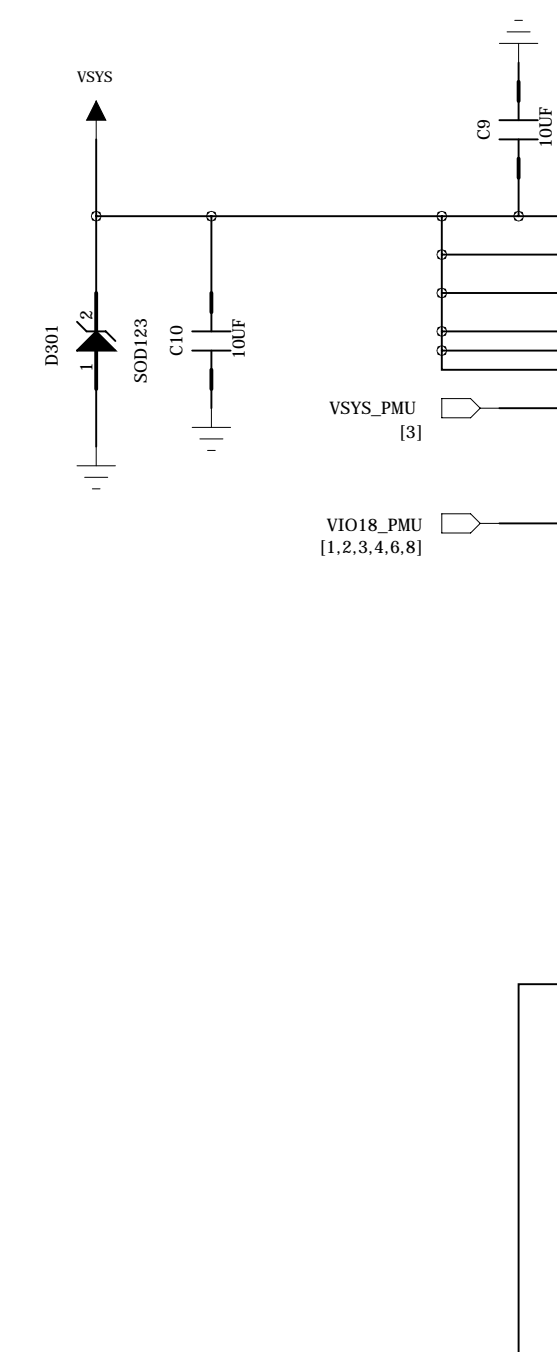
Put C349 & C350 between BB & memory.

Based on your system level design, if better FM performance is needed on your system, please refer to FM desense performance enhance proposal

Vproc remote sense: differential 4mil with good shielding from the BB to PMIC



- dedicate VSS ball, must return to cap then to main GND:
- REFN(G6) => C109
 - DVSS18_MIP1RX(U25) => C107
 - DVSS18_MIP1TX(P25) => C101



Symbol	Vout(V)	Iout(mA)	USE
BUCK	VPROC	0.7-1.4	2800 SYSTEM
BUCK	VSYS	2.2	1200 SYSTEM
BUCK	VPA	0.5-3.4	Iout(mA) RF
LDO	VM	1.24/1.39/1.54/1.84	700 MCP
LDO	VF18	1.825	200 RF
LDO	VI018	1.8	300 IO
LDO	VCN_1V8	1.8	120 WIFI/GPS/BT/FM
LDO	VCAM	1.2/1.3/1.5/1.8	150 CAM
LDO	VCAM_IO	1.8	100 CAM
LDO	VGP3	1.2/1.3/1.5/1.8	200 DIV
LDO	VA	2.8	150 SYSTEM
LDO	VTXCO	2.8	40 RF
LDO	VCN28	2.8	30 WIFI/GPS/BT/FM
LDO	VCAMA	2.8	150 CAM
LDO	VCN33	3.3/3.4/3.5/3.6	240 WIFI/GPS/BT/FM
LDO	VI028	2.8	200 IO
LDO	VUSB	3.3	20 USB
LDO	VMC	1.8/3.3	100 T-FLASH IO
LDO	VMC1	3.0/3.3	400 T-FLASH
LDO	VEMC_3V3	3.0/3.3	400 MCP
LDO	VCAM_AF	1.2/1.3/1.5/1.8/2.0/2.8/3.0/3.3	100 CAM
LDO	VSIM1	1.8/3.0	50 SIM
LDO	VSIM2	1.8/3.0	50 SIM
LDO	VGP1	1.2/1.3/1.5/1.8/2.0/2.8/3.0/3.3	100 Iout(mA)
LDO	VGP2	1.2/1.3/1.5/1.8/2.0/2.5/2.8/3.0	100 Iout(mA)
LDO	VIBR	1.2/1.3/1.5/1.8/2.0/2.8/3.0/3.3	100 VIB
LDO	VDC18	1.8	20 Iout(mA)
LDO	VRTC	2.8	2 Iout(mA)

RTC 32K	32K-less
X301->32K Crystal	X301->NC
C343->18pF	C343->NC
C344->18pF	C344->0R
R304->NC	R304->0R

COMPANY: _____

TITLE: _____

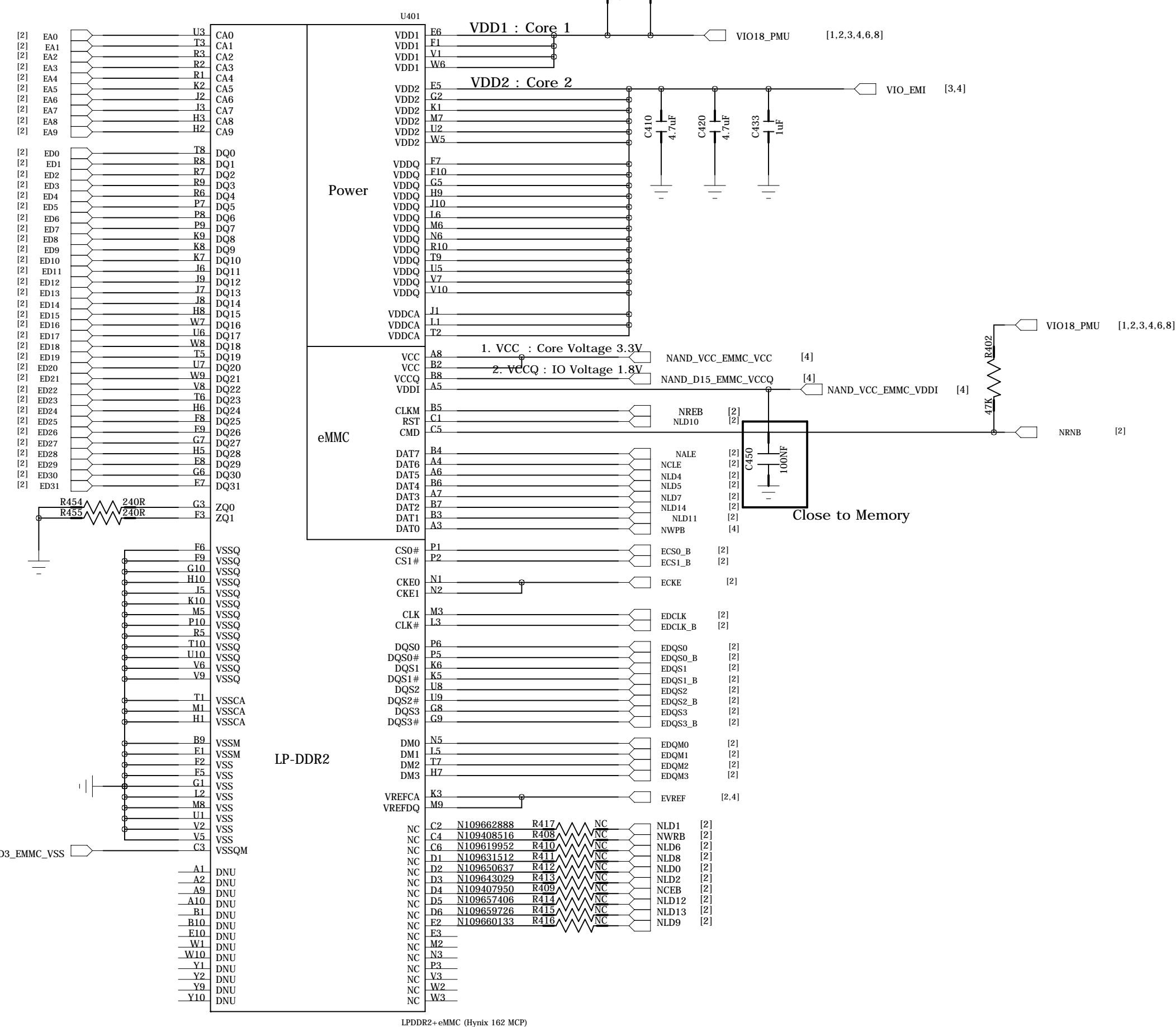
SCALE: _____

SHEET: 2 OF 8

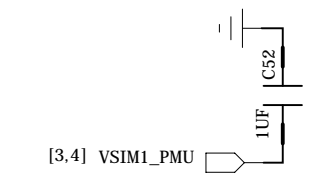
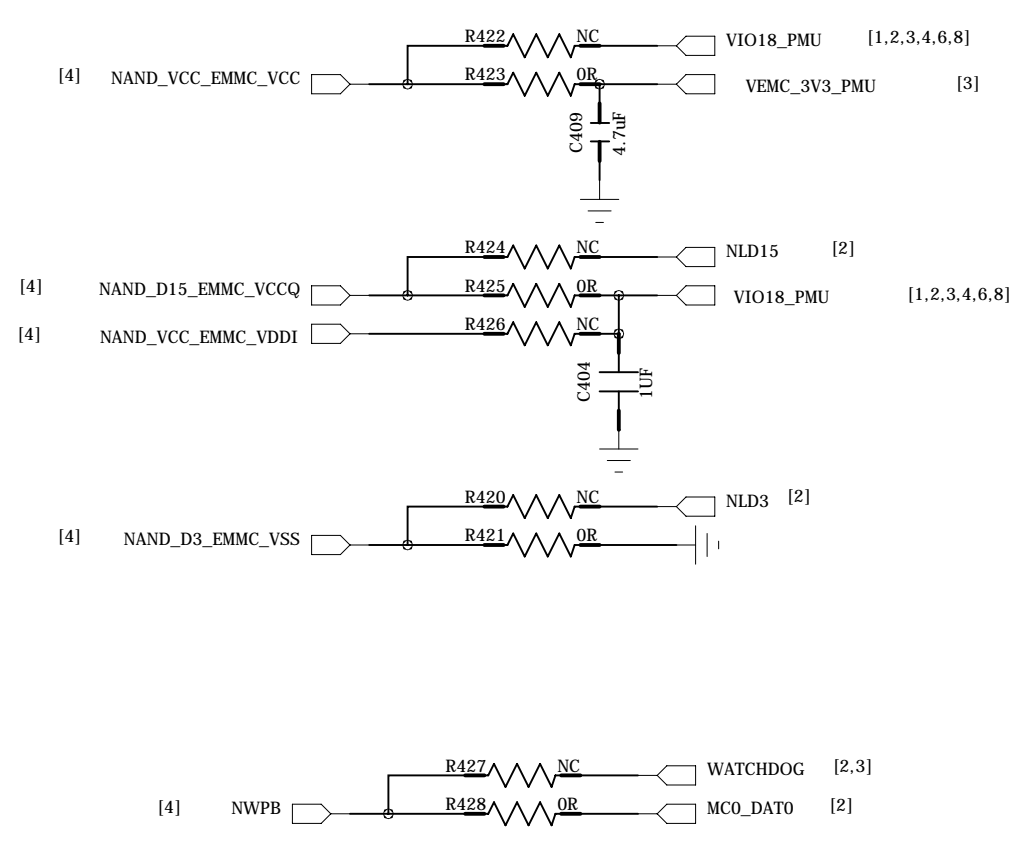
DRAWN:	DATED:	SIZE:	DRAWING NO:	REV:
CHECKED:	DATED:			
QUALITY CONTROL:	DATED:			
RELEASED:	DATED:			

REVISION RECORD			
LTR	ECO NO.	APPROVED:	DATE:

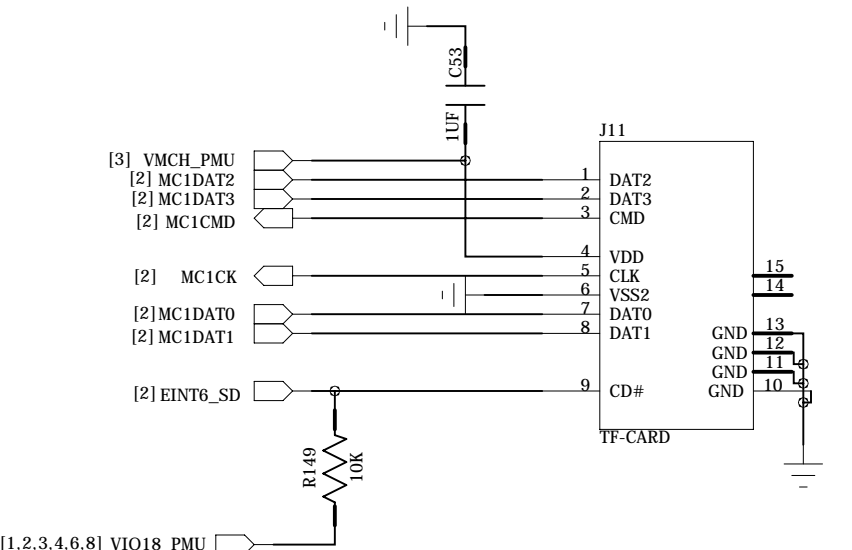
HW trapping PIN
 20K: VM=1.8V
 NC : VM=1.2V



NAND+DDR2	EMMC+DDR2
R422->OR	R422->NC
R423->NC	R423->OR
R424->OR	R424->NC
R425->NC	R425->OR
R426->OR	R426->NC
R421->NC	R421->OR
R420->OR	R420->NC
R428->NC	R428->OR
R427->OR	R427->NC



SIM CARD



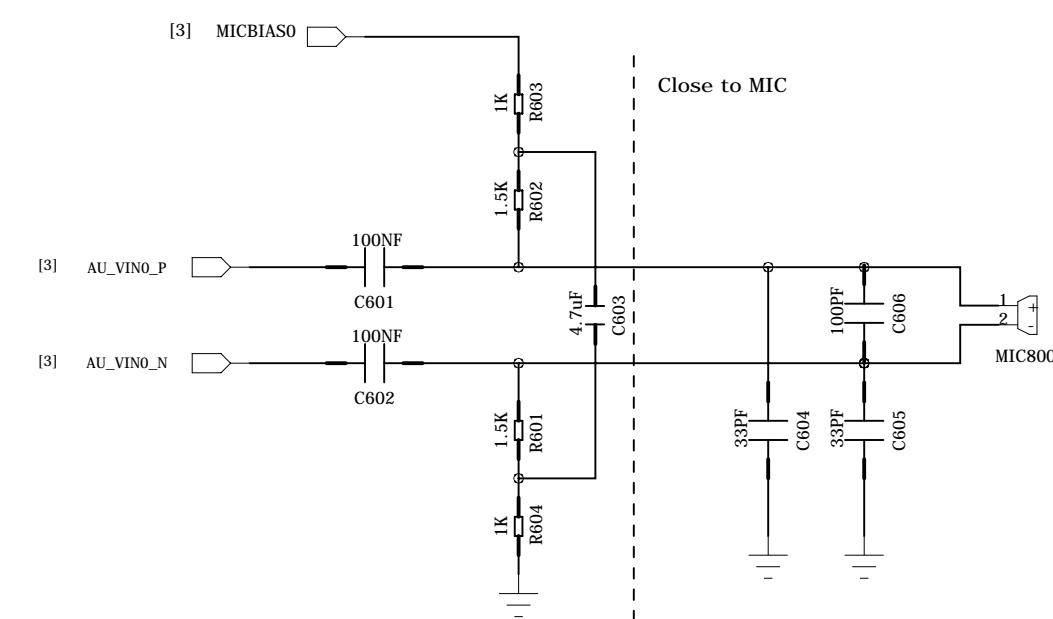
T CARD

DRAWN:	DATED:
CHECKED:	DATED:
QUALITY CONTROL:	DATED:
RELEASED:	DATED:

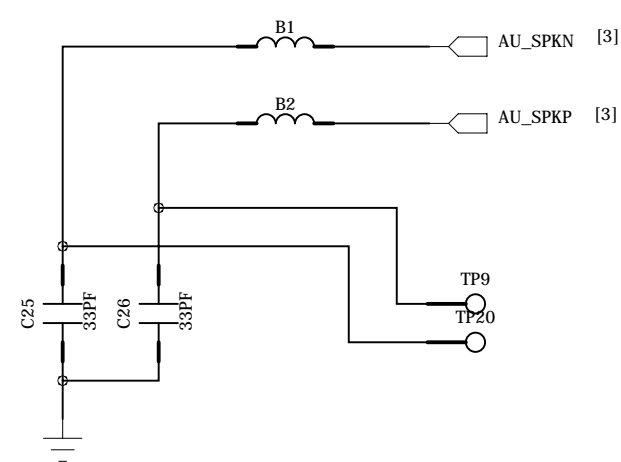
COMPANY:			
TITLE:			
SCALE:	DRAWING NO:	REV:	SIZE:
SHEET: 2 OF 8			

REVISION RECORD			
LTR	RCO NO:	APPROVED:	DATE:

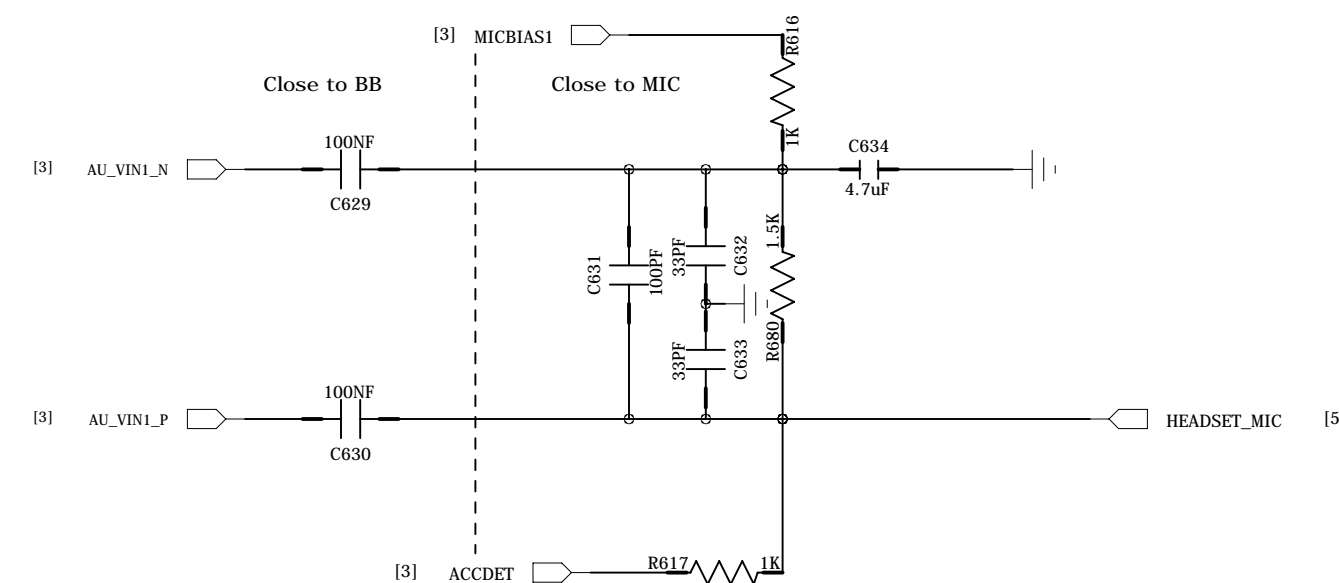
Handset Microphone



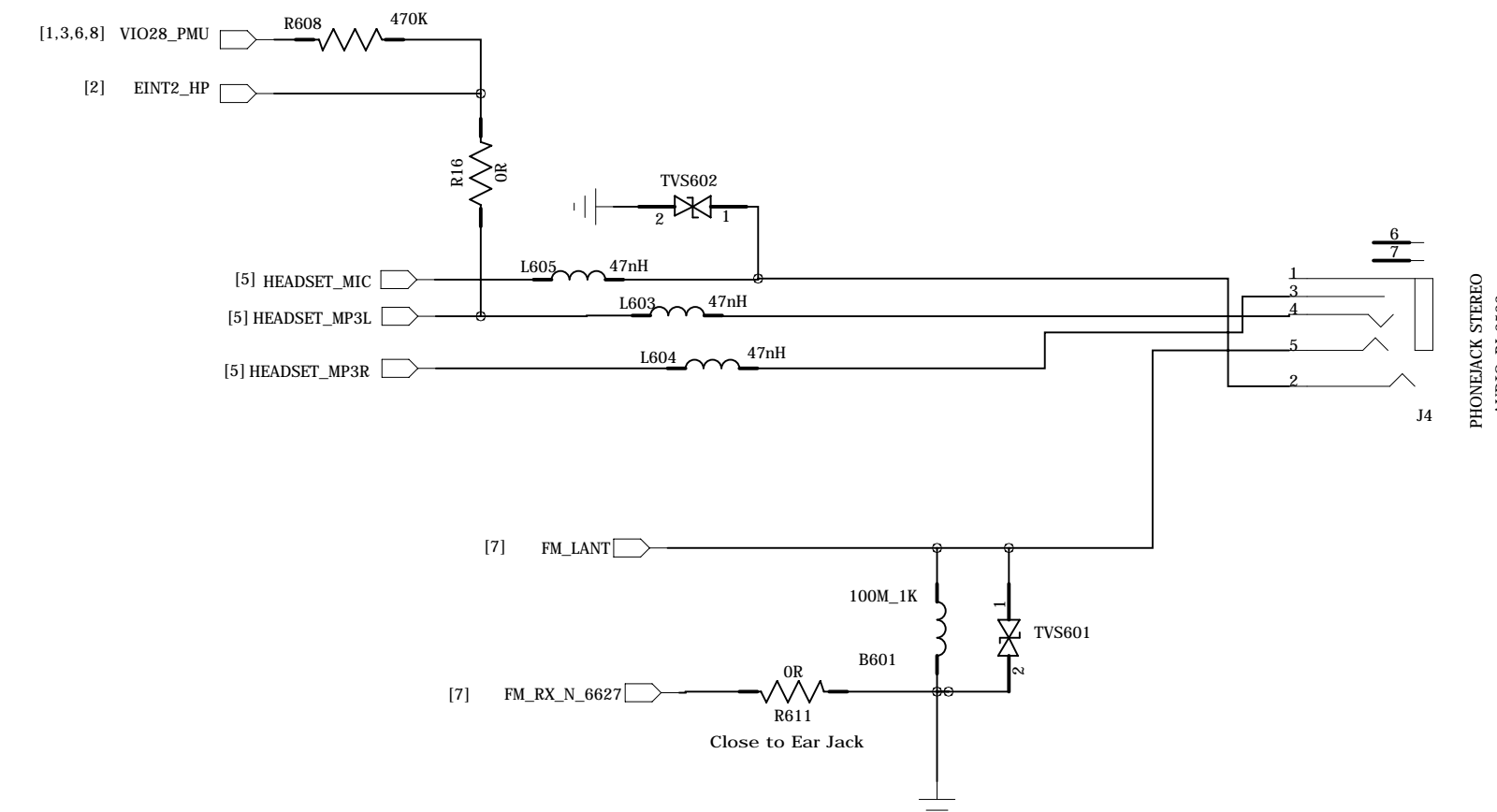
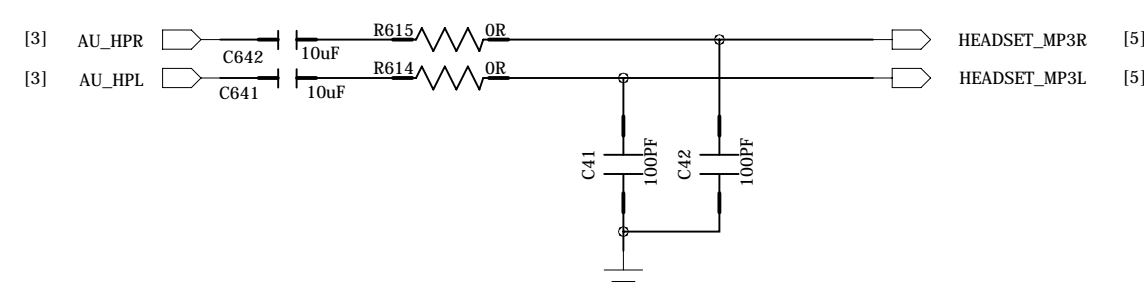
SPK



Earphone MICPHONE



Earphone Receiver

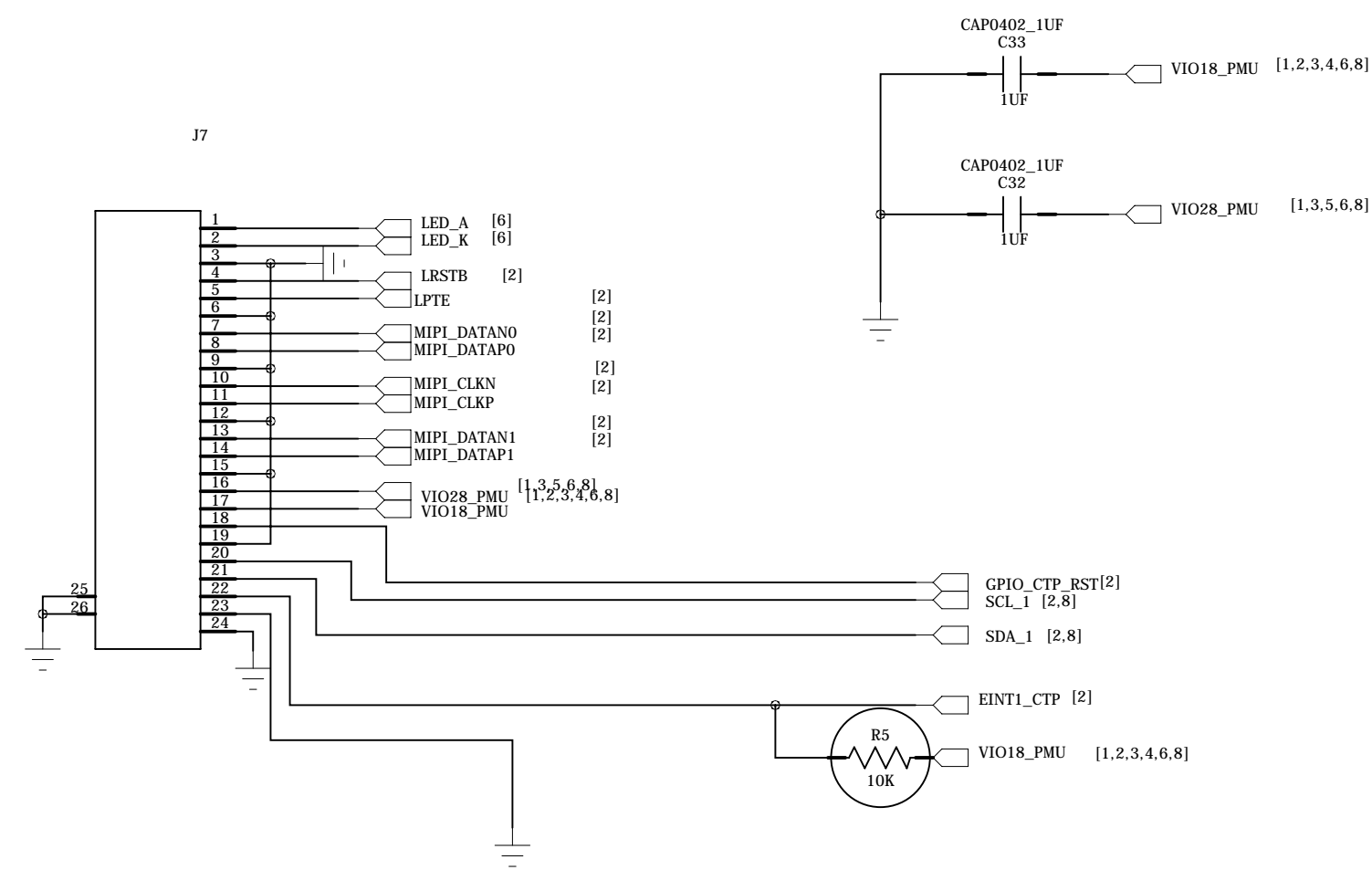


COMPANY:			
TITLE:			
SCALE:	SIZE:	DRAWING NO:	REV:
DRAWN:		DATED:	
CHECKED:		DATED:	
QUALITY CONTROL:		ISSUED:	
RELEASED:		DATED:	

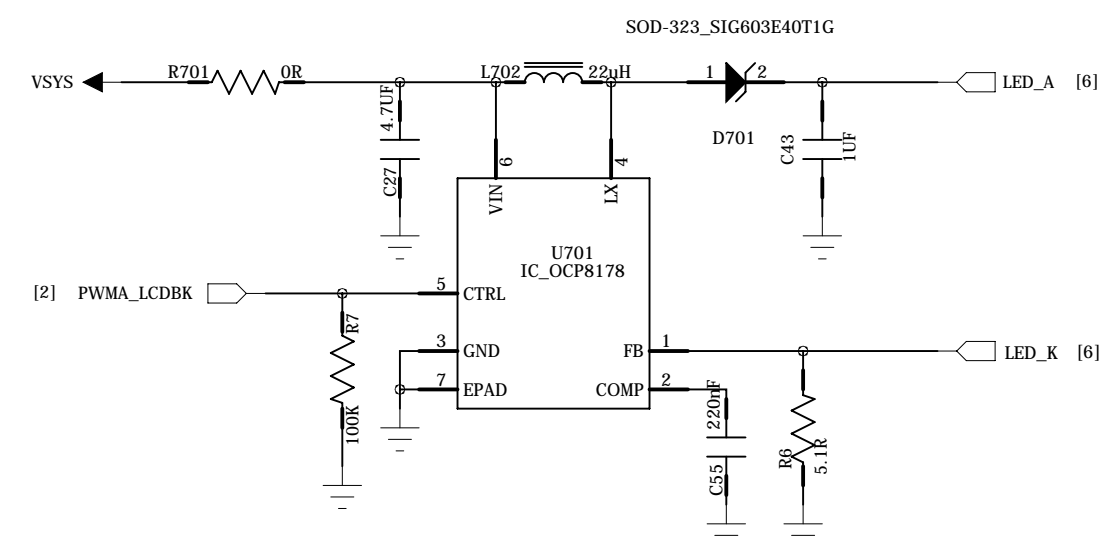
REVISION RECORD			
LTR	ECO NO:	APPROVED:	DATE:

LCD

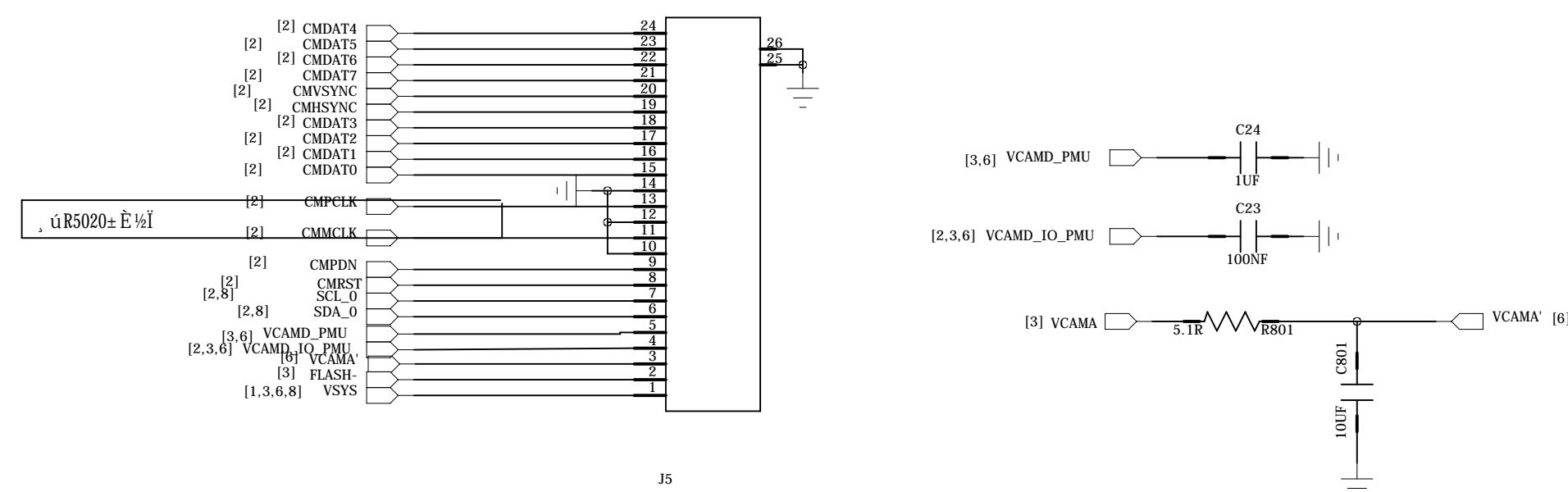
Í " 1 ý FPCx a ½Ó£ - ¿ É ÓÃR6372 LCD&TP



BACKLIGHT DRIVER

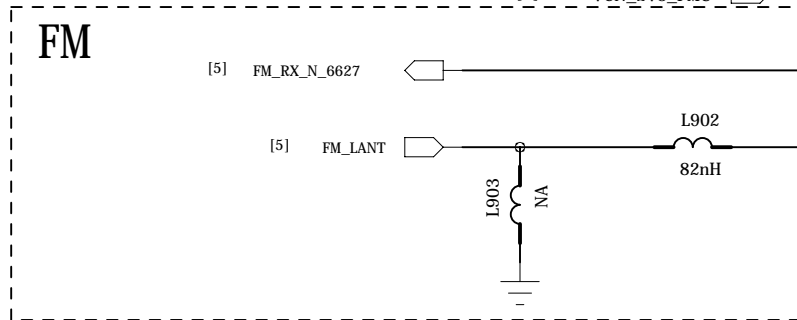
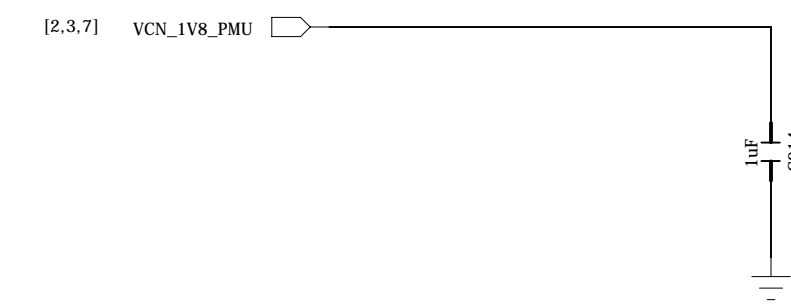
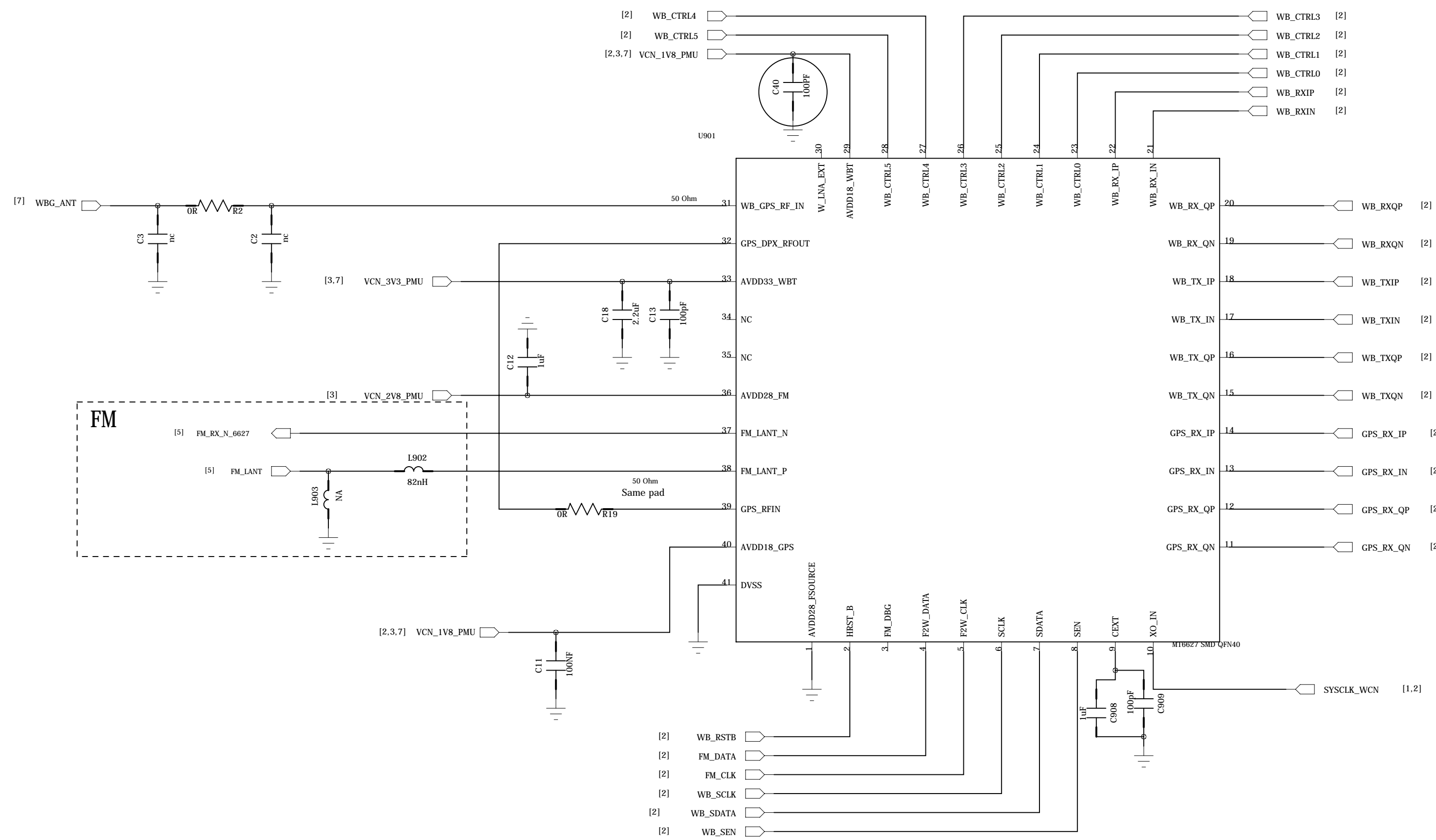
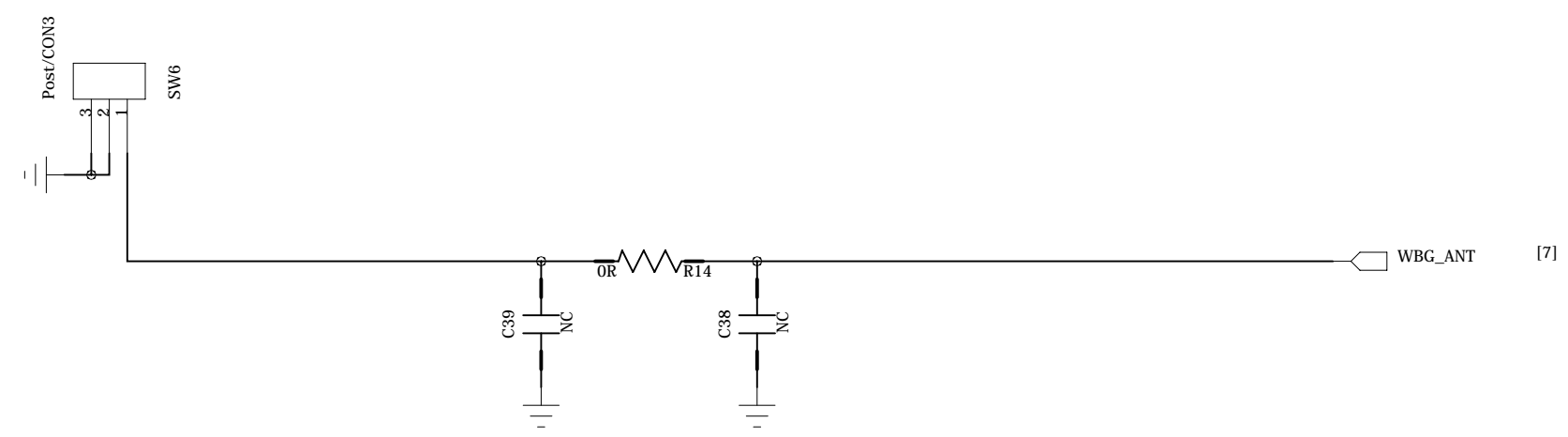


Í " 1 ý FPCx a ½Ó£ - ¿ É ÓÃR5020Éãï ñí .



COMPANY:			
TITLE:			
DRAWN:	DATED:	SIZE:	REVISION:
CHECKED:	DATED:	DRAWING NO:	REV:
QUALITY CONTROL:	DATE:	SCALE:	
RELEASED:	DATED:	SHEET: 2 OF 8	

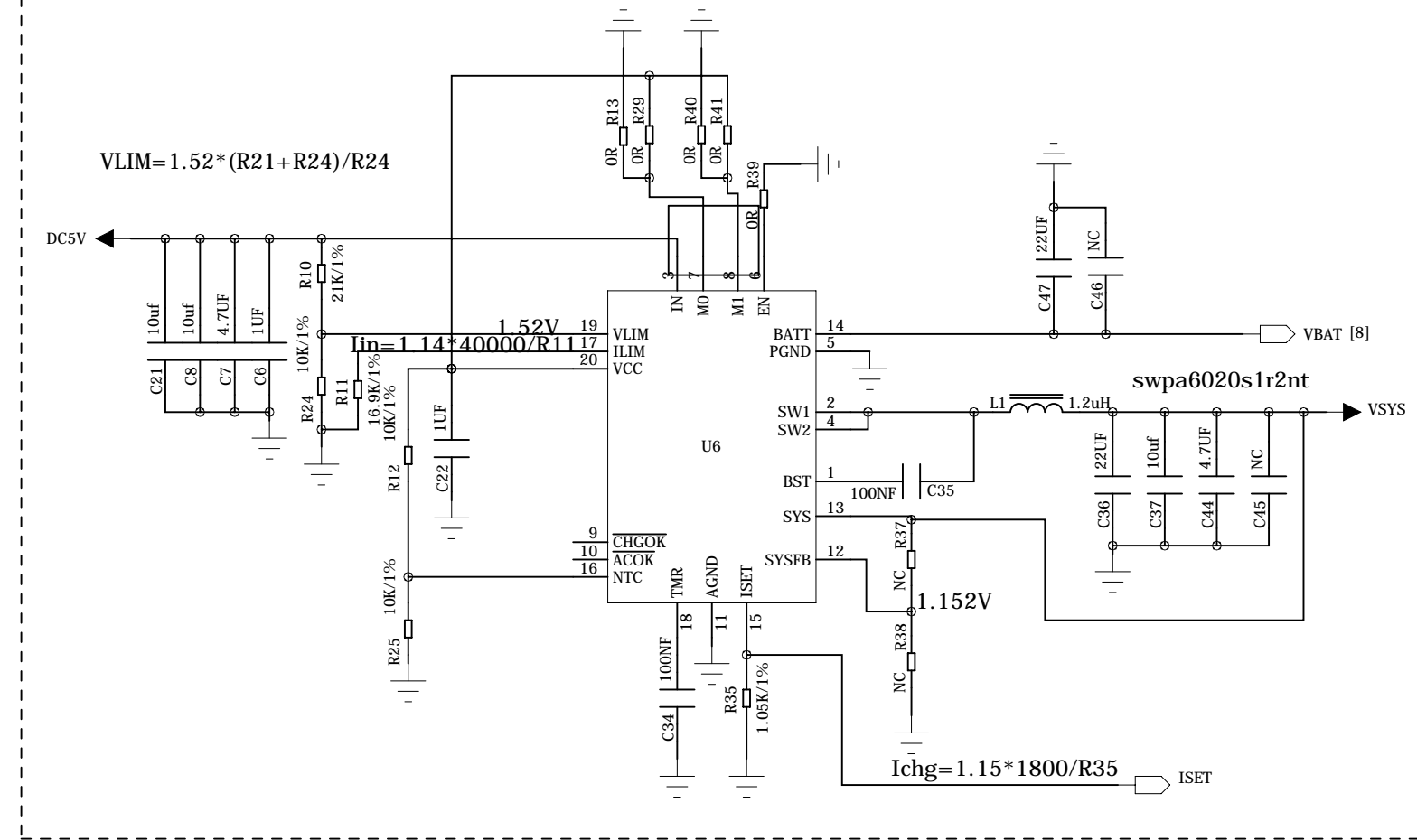
REVISION RECORD			
LTR	ECO NO.	APPROVED:	DATE:



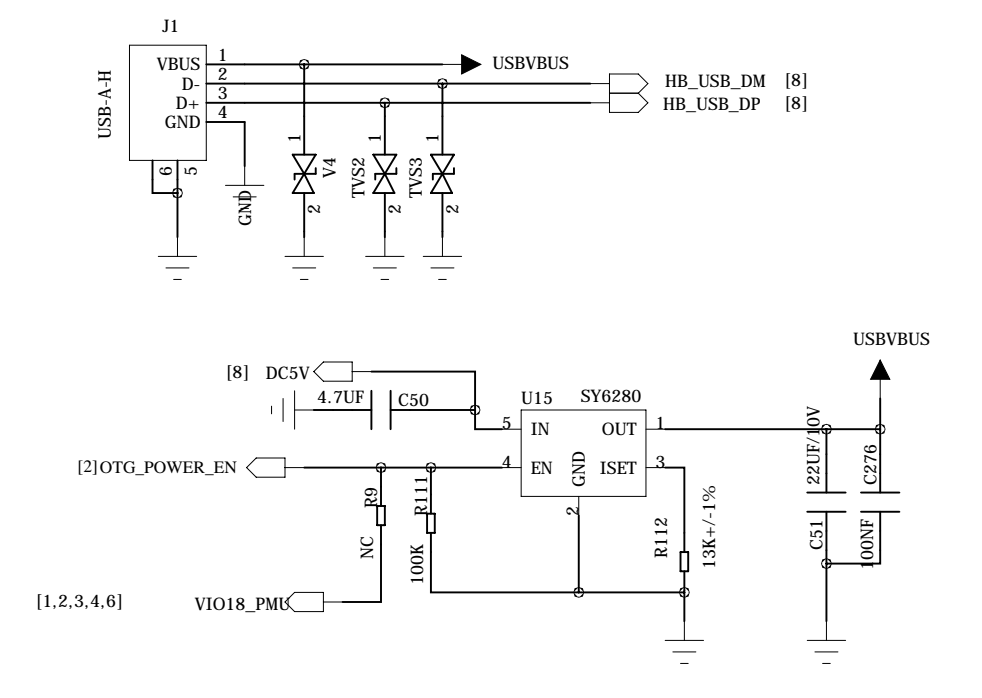
DRAWN:		DATED:		COMPANY:		
CHECKED:		DATED:		TITLE:		
QUALITY CONTROL:		DATE:		SIZE:	DRAWING NO.:	REV.:
RELEASED:		DATED:		SCALE:		

REVISION RECORD			
LTR	ECO NO:	APPROVED:	DATE:

DC5V x a » » Î a Ð¾¼Æ-¿ a » úμçÑ¹

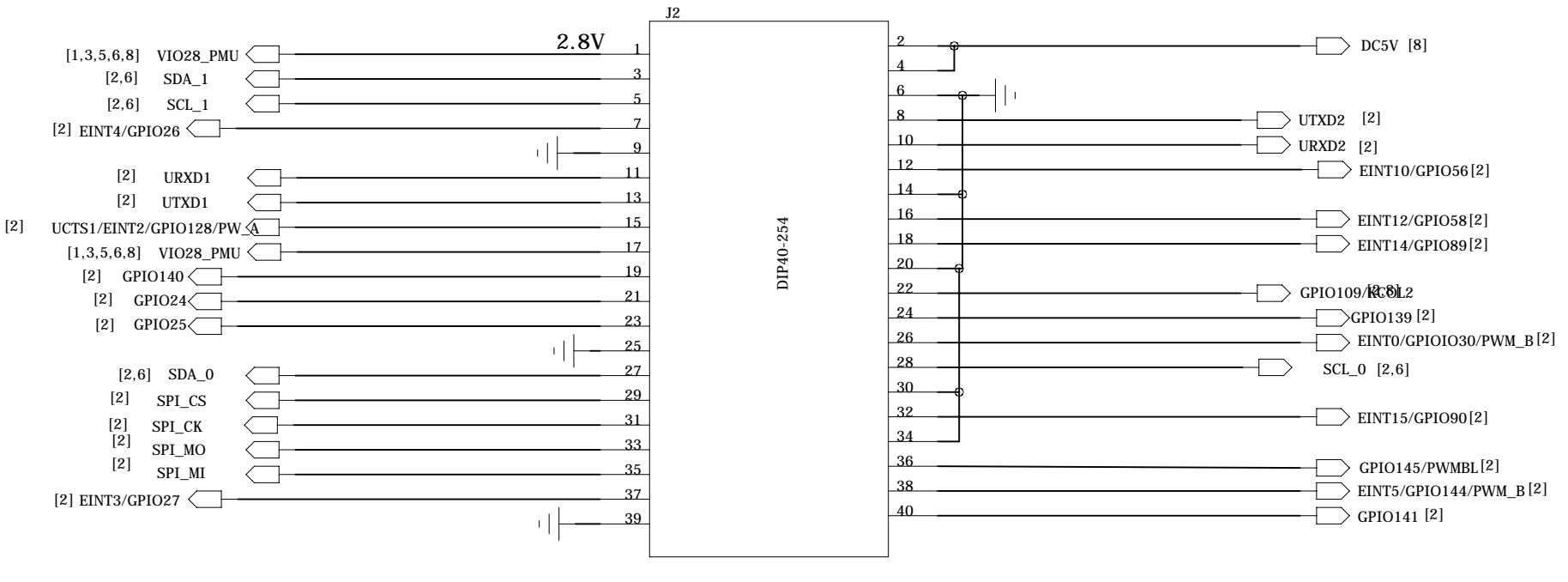


J1Ö» x öOTG USBÖÃ

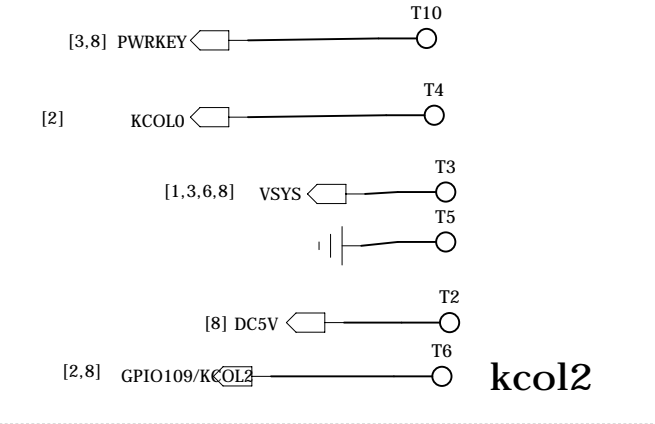


μ±Ö» ÖÃμç³ Ø£ "² » ÖÃDC JACKε@Ê± £-
 ÖÉÖÚÖá, öUSB HOST¿ ÉÄÜÖöÍ à ½ÖÉè±, ° Åμç± È½Í' ö,
 μç³ ØÍ Þ. " ÁúxãÆä°Í Öº aÍ -Ê±¹ μx± ¿
 ÈùÖÖUSB HOSTÖ» ÖÉDC JACK¹ @μç¿ £
 Öº ¾Í ÊÇËμμ±Ö» ÖÃμç³ ØÊ± £-USB HOST² » ÄÜ¹ μx± ¿ £

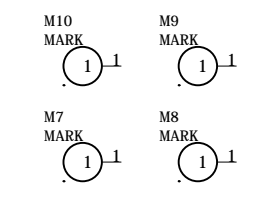
40PIN EXPORT



TEST POINT



MARK



1x é SPI

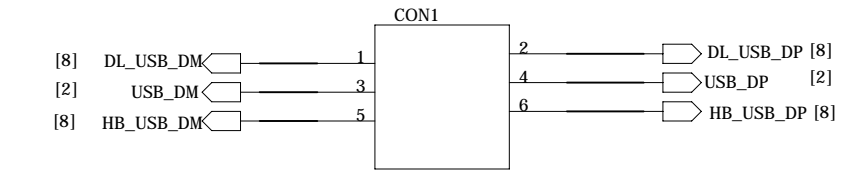
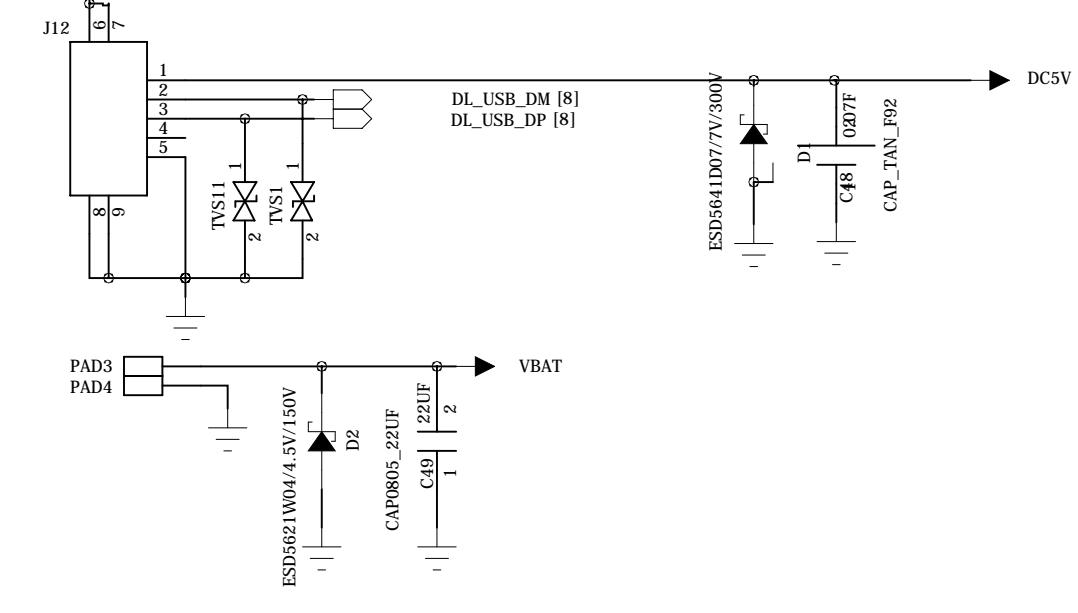
2x é I2C

2x é UART(ÖðÆ½Ì " İ ÞÖÆ£-Æä ÖÐÖ» x é UART¿» ÖÐCTS° Í RTS)

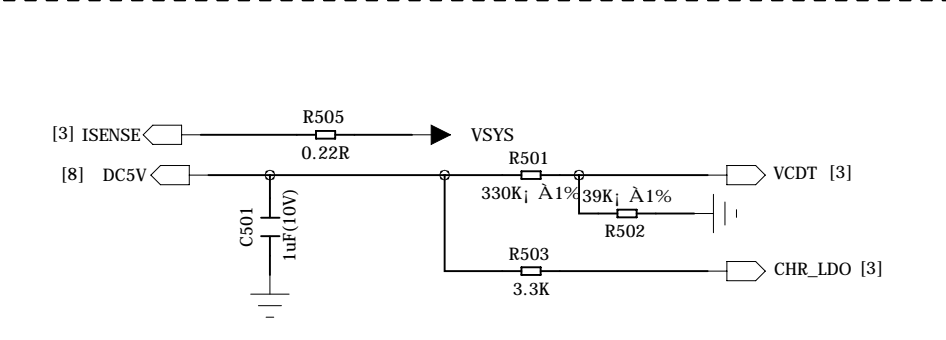
14, öGPIO£" Æä ÖÐÖÐ8, ö¿ ÉxöÖÐ¶İ 3, öÖÐPWM¹ | ÄÜ£- IOμçÑ¹ 1.8V£@

C

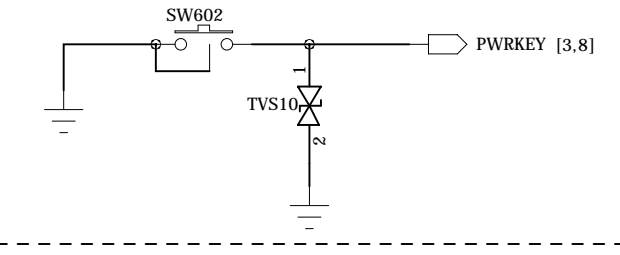
USB DC JACK(5V¹ @μç)



B

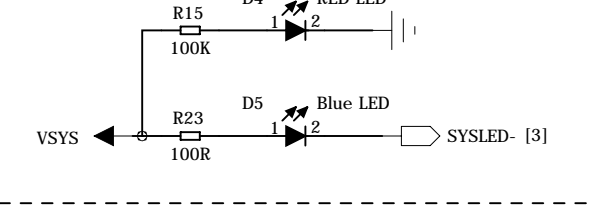


POWER ON/OFF



A

D4£-Öº aÉÍ μçÖ, Ê¾μÆ D5£-¿ a » úÖ, Ê¾μÆ



D

C

B

A

DRAWN:		DATED:		COMPANY:	
CHECKED:		DATED:		TITLE:	
QUALITY CONTROL:		ISOP:		SIZE:	DRAWING NO:
RELEASED:		DATED:		REV:	SCALE:
SHEET: 2 OF 8					