

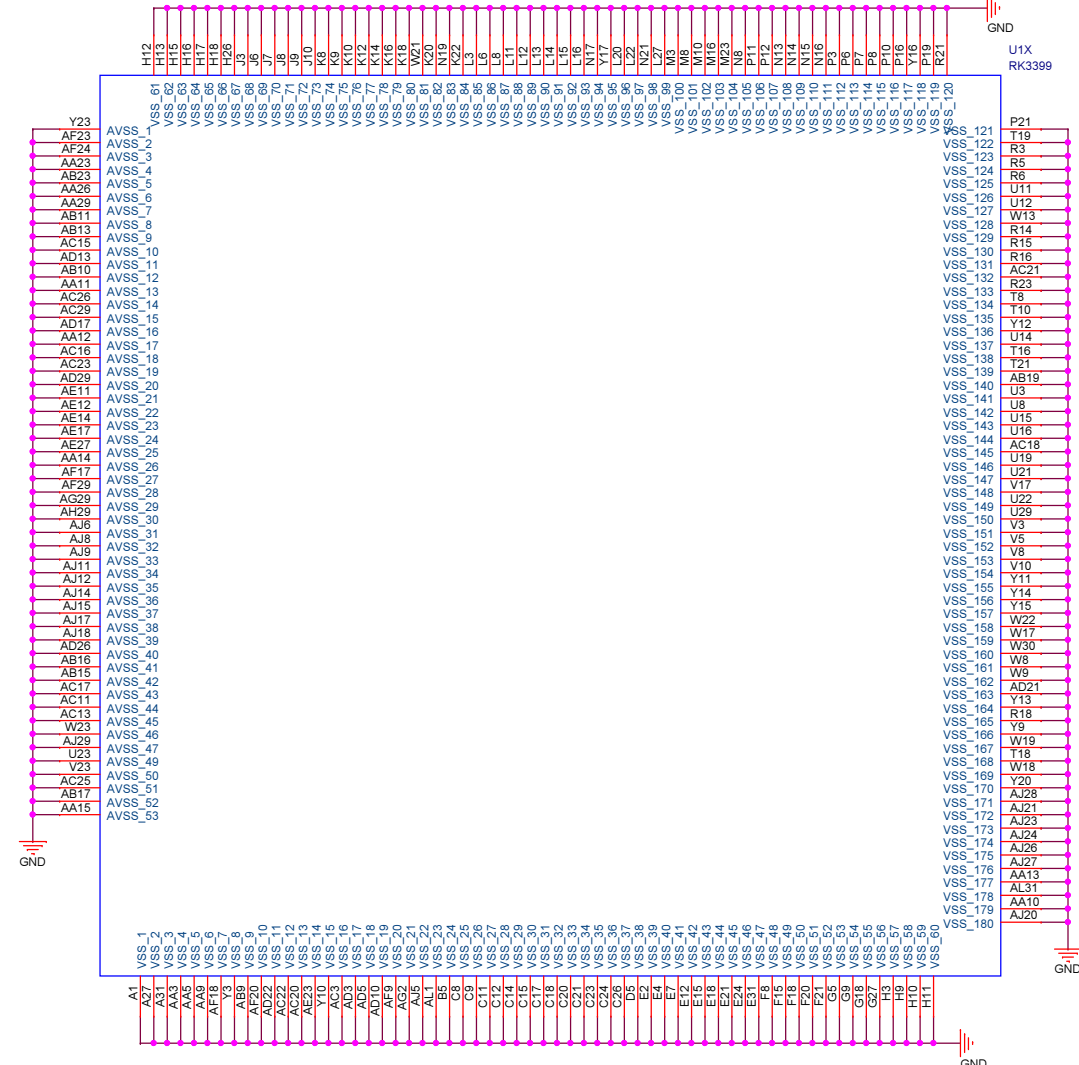
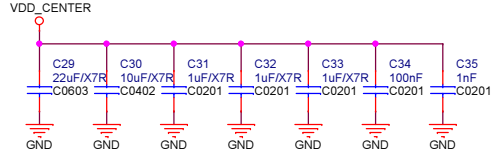
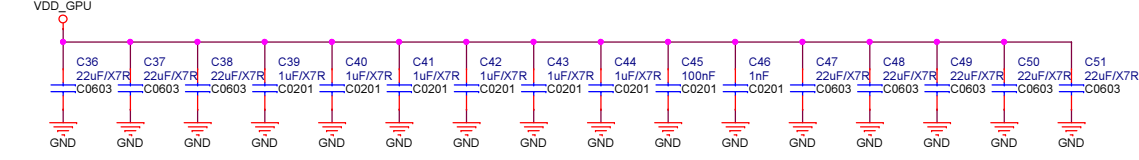
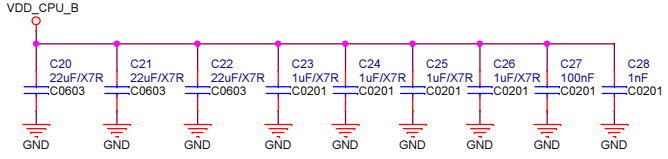
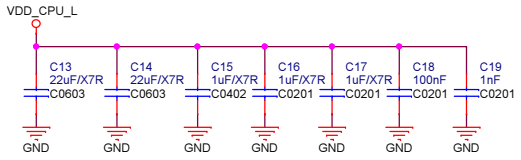
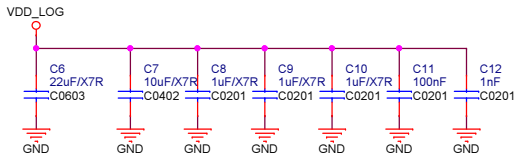
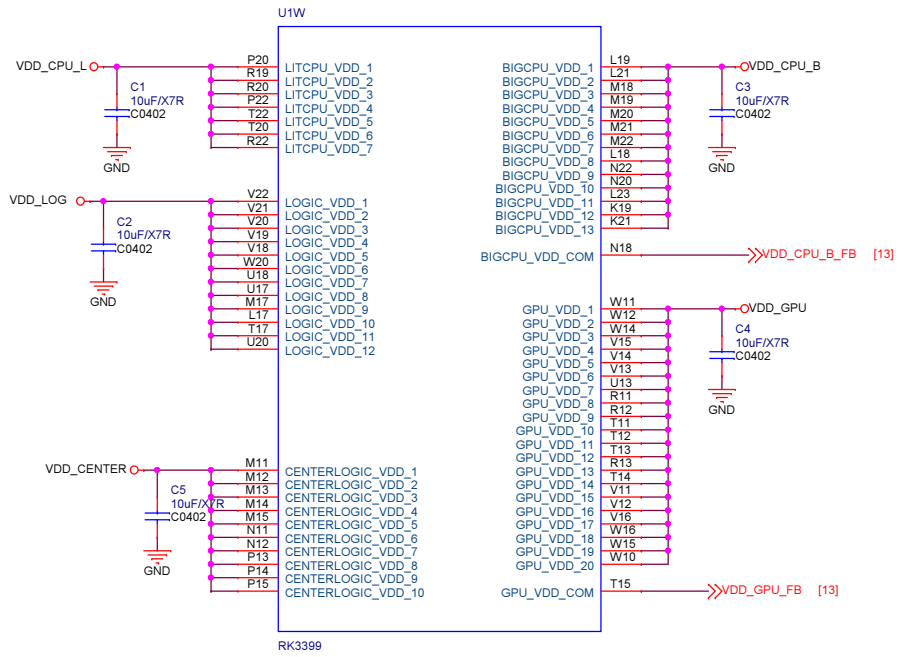
# NanoPi M4

Revision 1807

I2C device list :  
I2C0 (3V), SYR838PKC, SYR837, RK808-D  
I2C1 (1.8V) CSI0, ALC5651  
I2C2 (1.8V) CSI1, M.2  
I2C3 (3V)  
I2C4 (1.8V), Type-C FUSB302MPX  
I2C5  
I2C6  
I2C7 (1.8V) HDMI  
I2C8



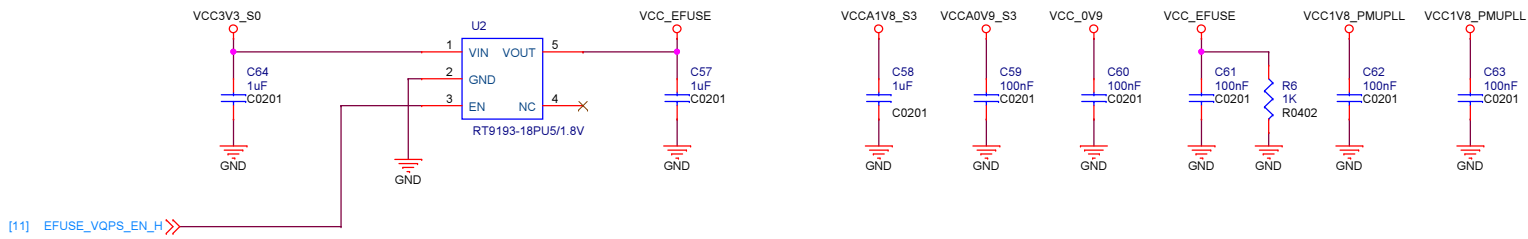
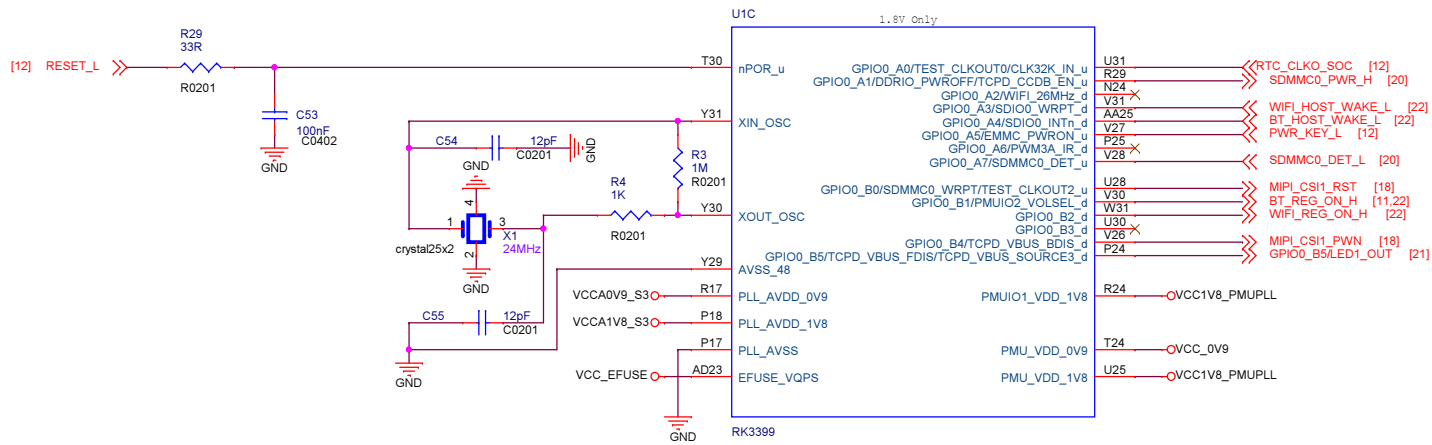
NanoPi M4 (2GB)		
Size A3	Document Number 01.Title	Rev 1807
Date: Tuesday, August 21, 2018	Sheet 1	of 25



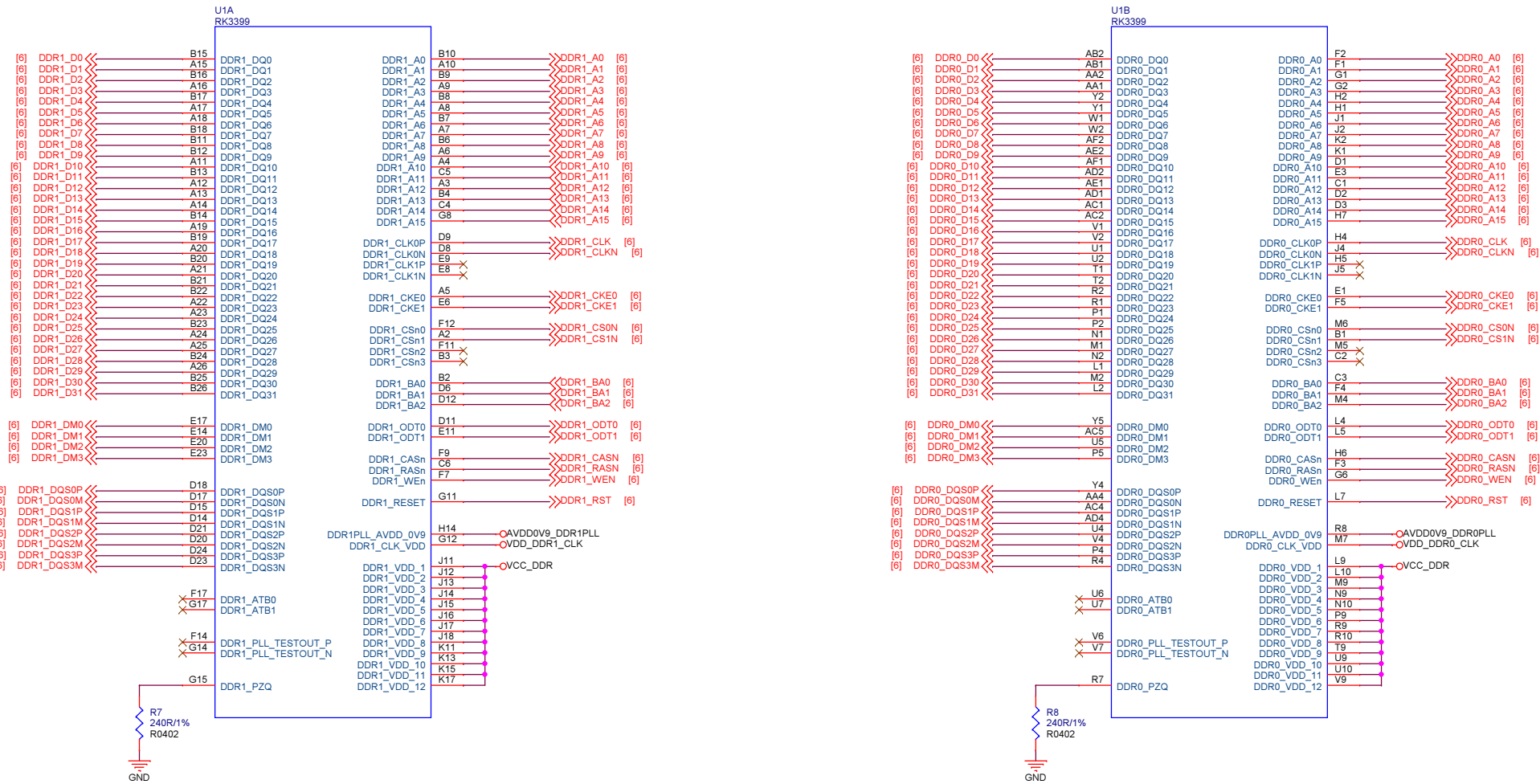
**FRIENDLY ELEC**

**NanoPi M4 (2GB)**

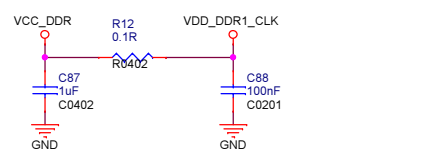
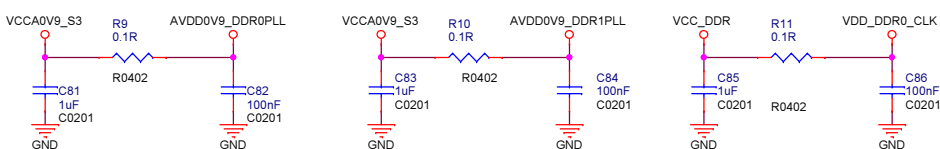
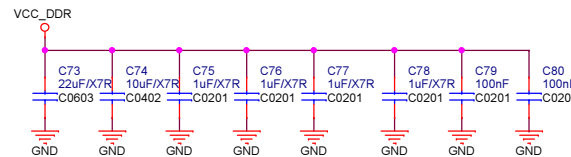
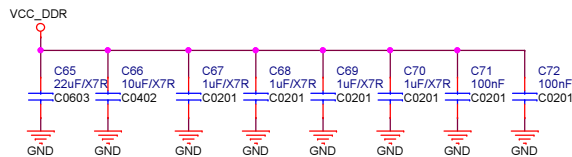
Size A3	Document Number 02.RK3399 Power	Rev 1807
Date: Tuesday, August 21, 2018	Sheet 3 of 25	

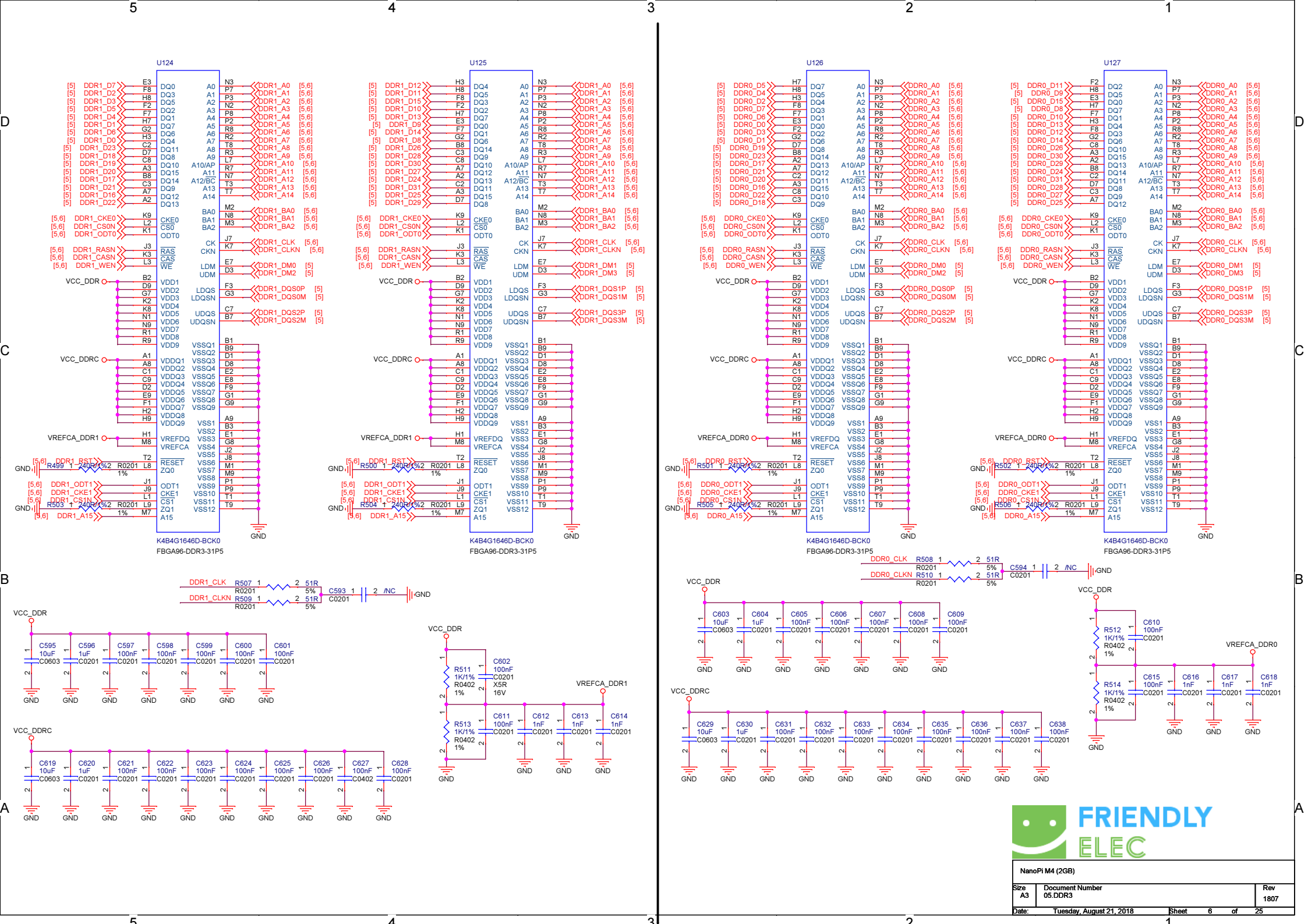


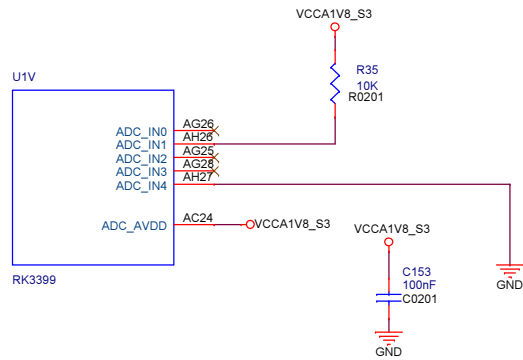
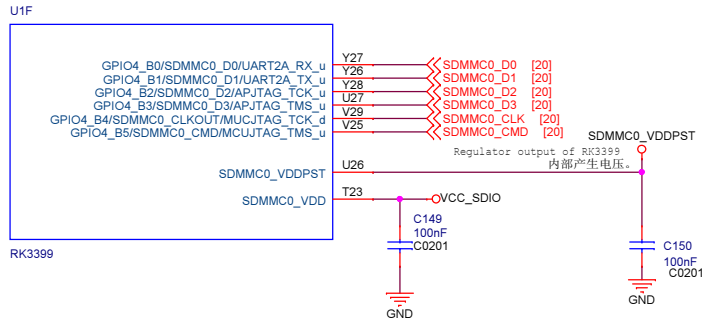
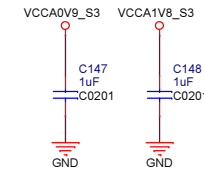
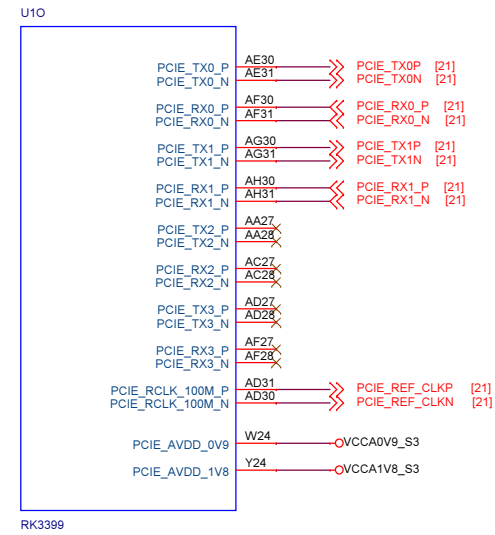
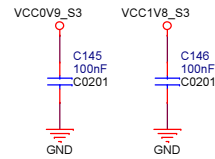
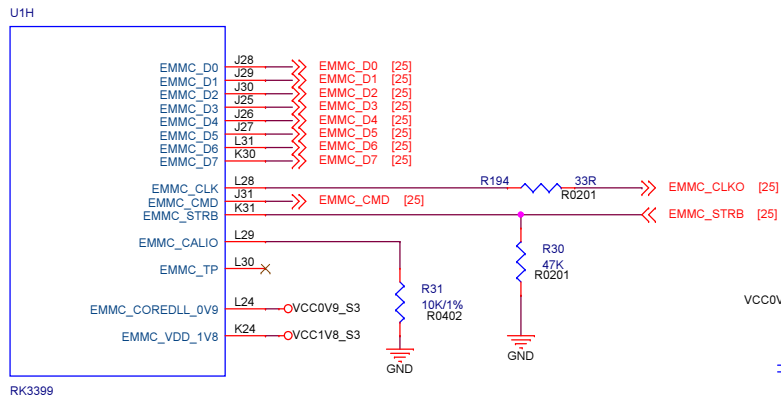
NanoPi M4 (2GB)		
Size A3	Document Number 03.RK3399 PMU Controller	Rev 1807
Date: Tuesday, August 21, 2018	Sheet 4	of 25

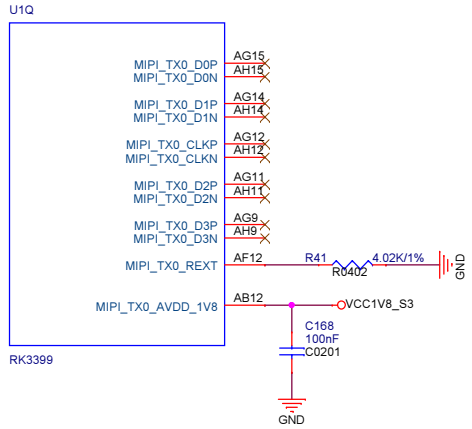
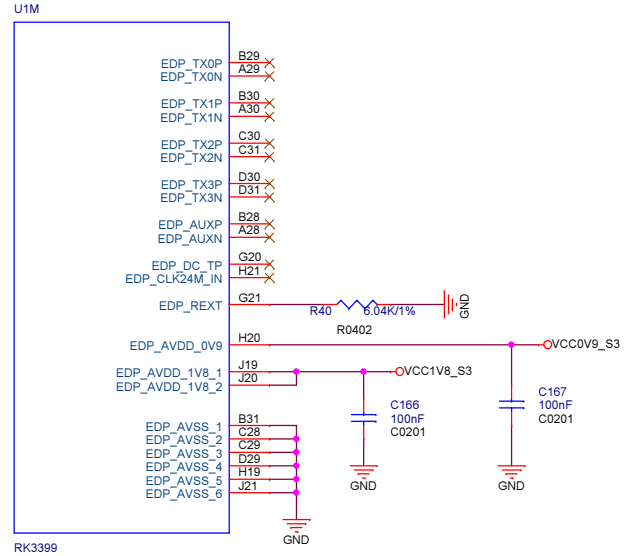
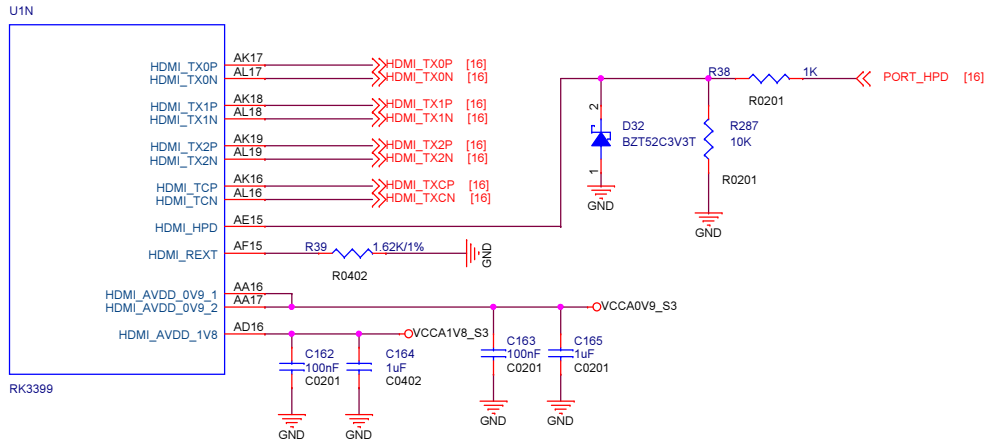


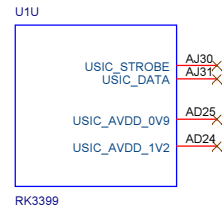
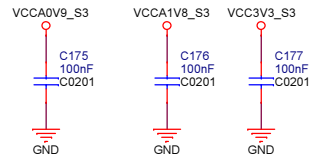
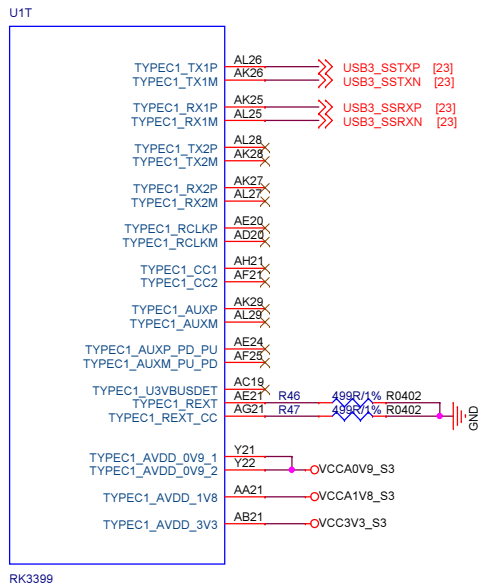
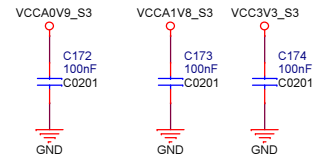
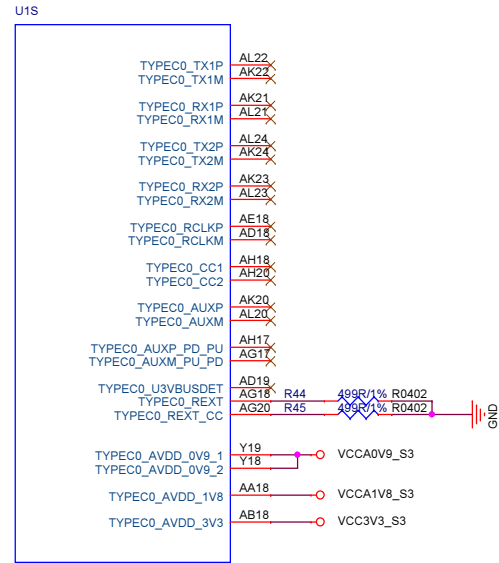
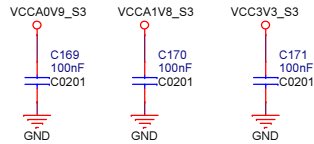
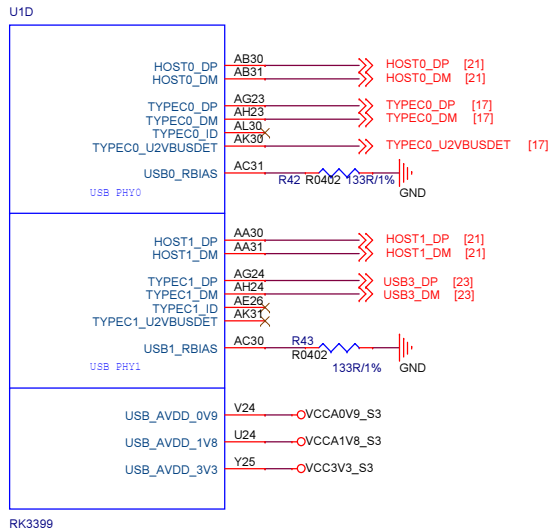
DDR FILTER



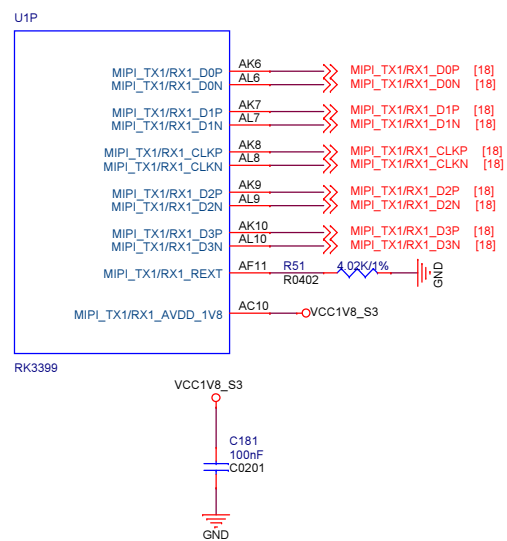
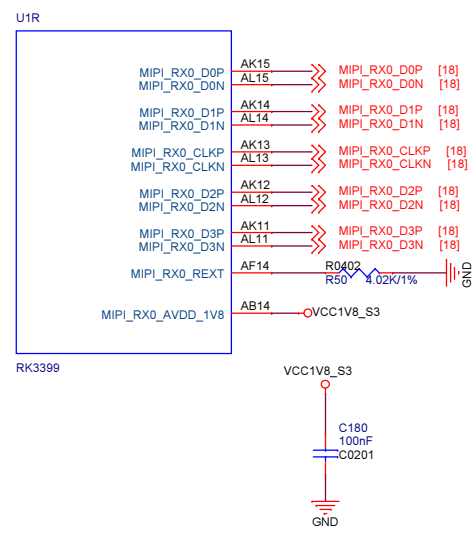
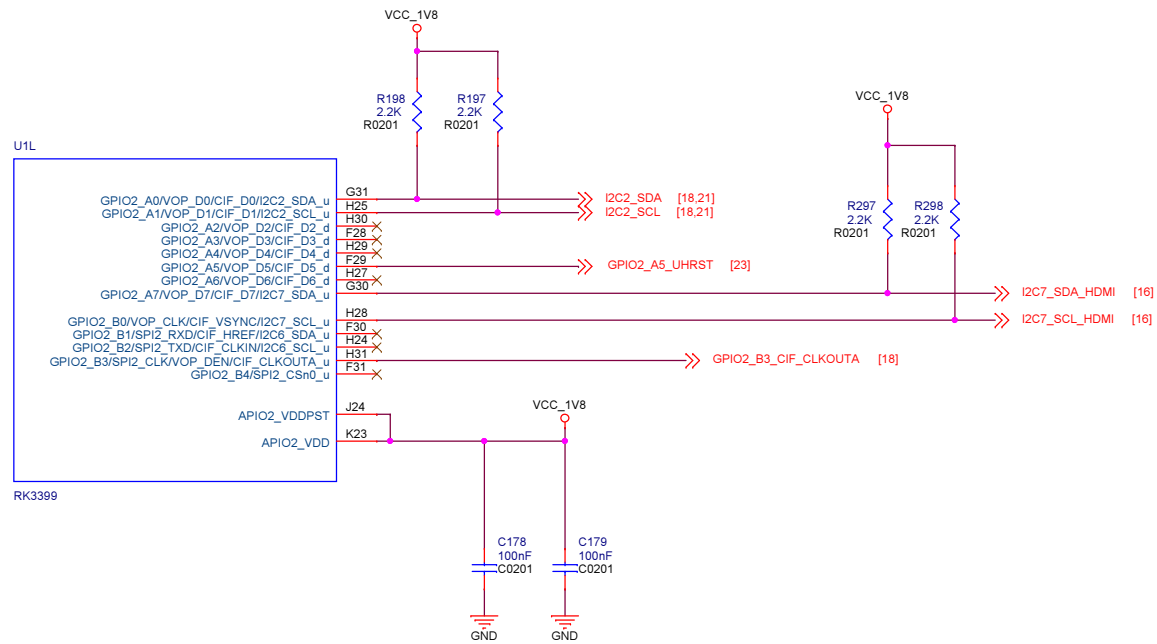




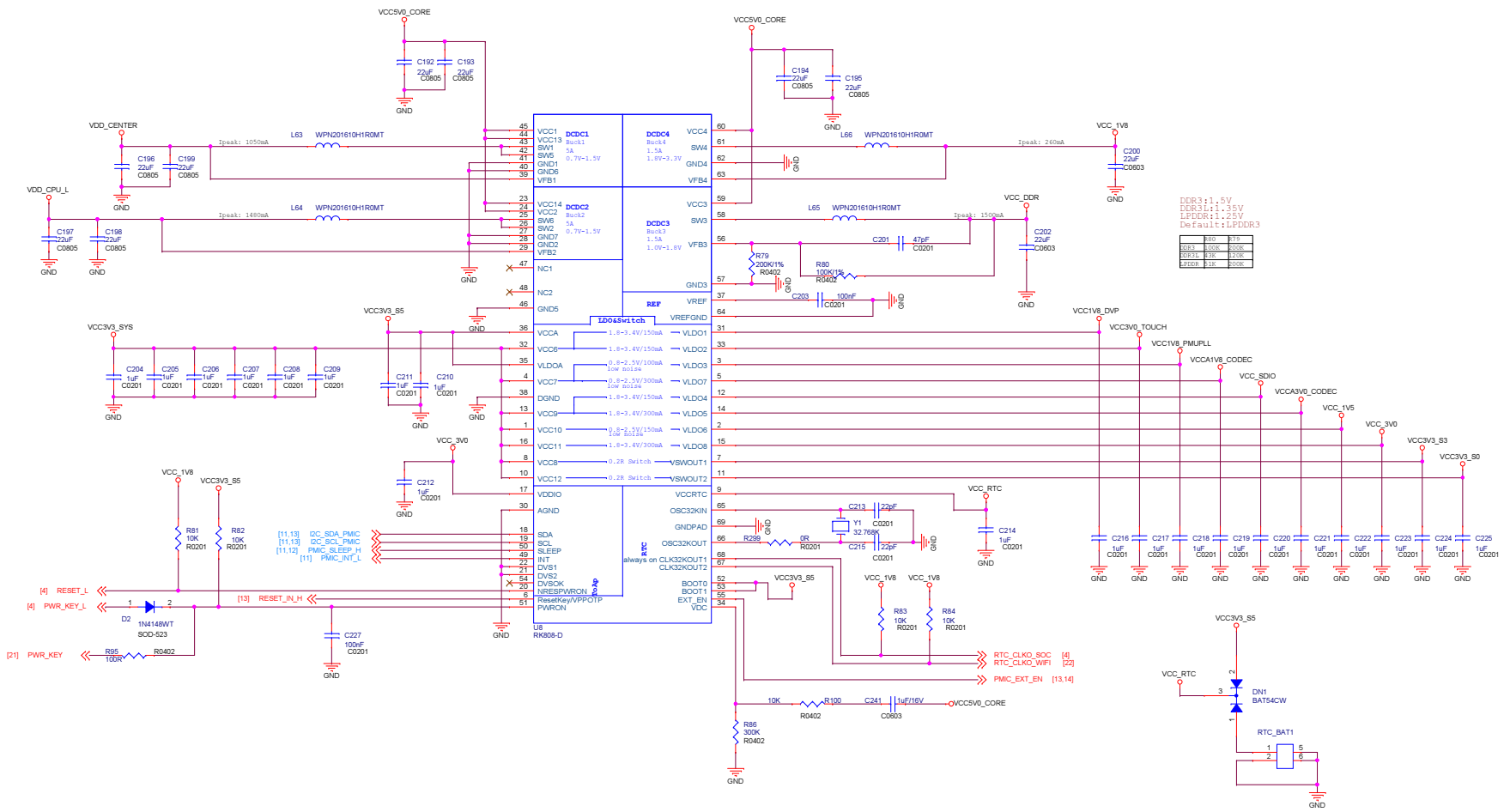






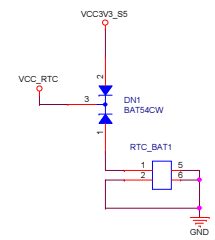
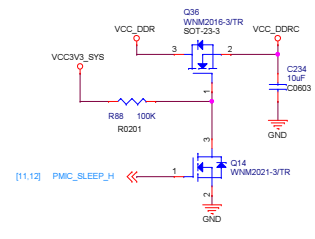
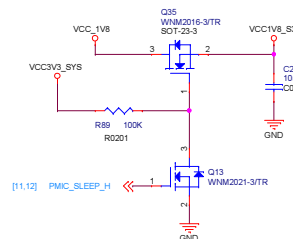
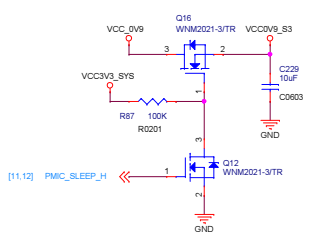
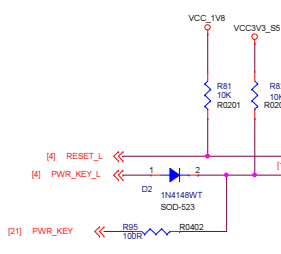


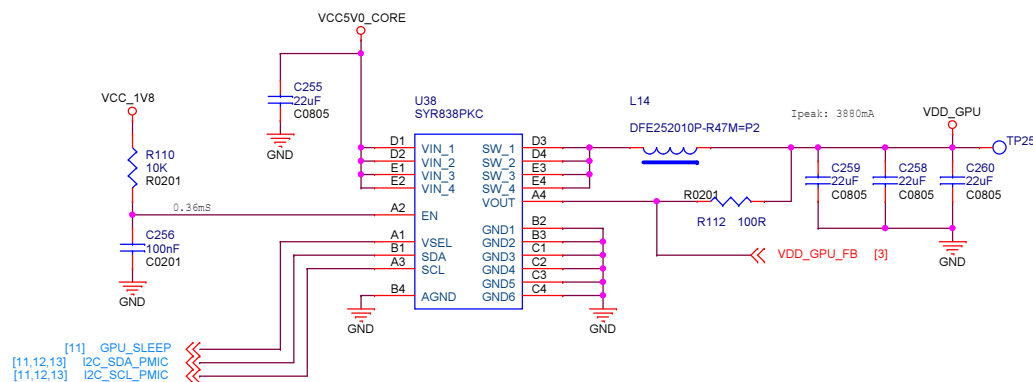




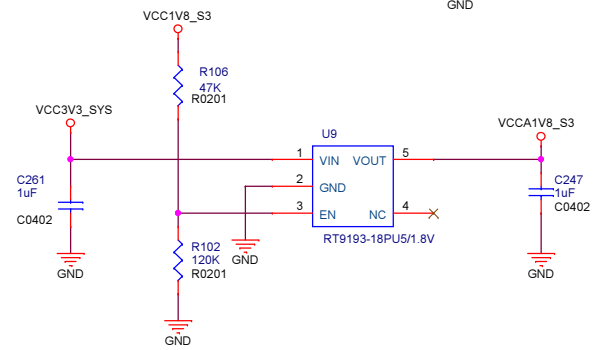
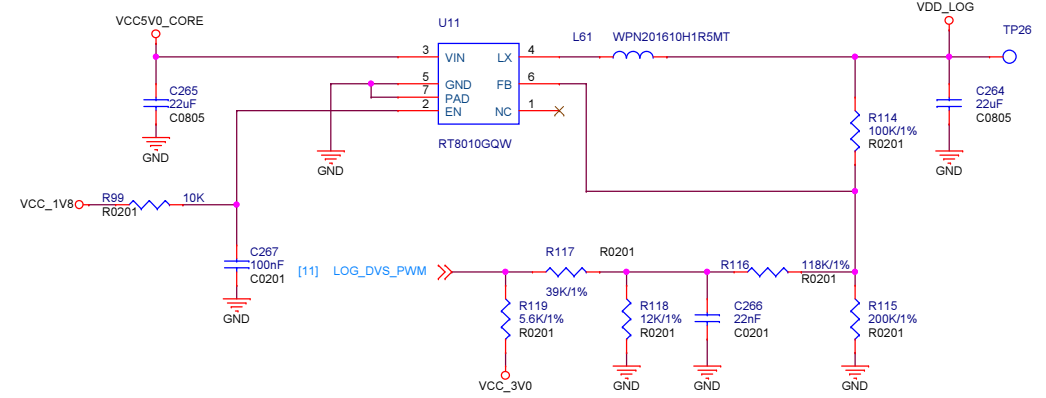
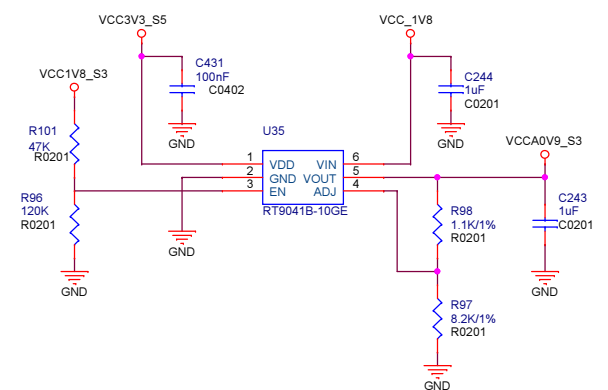
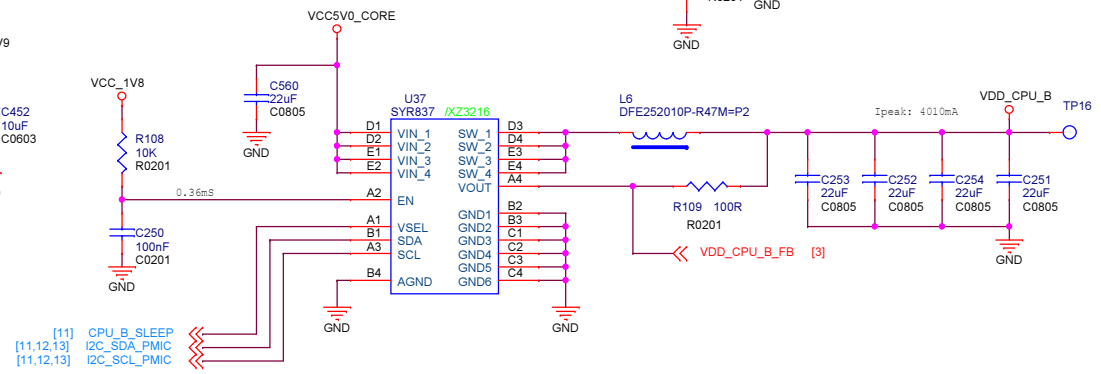
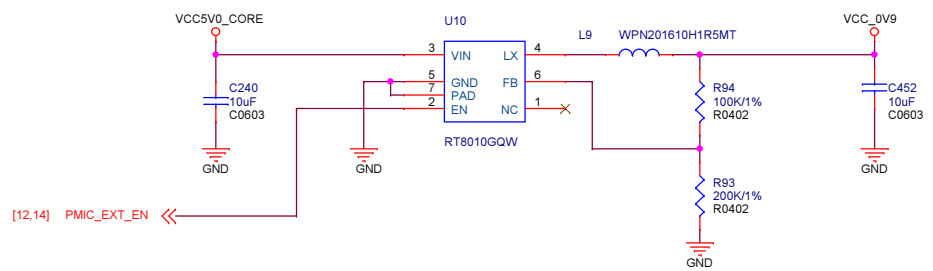
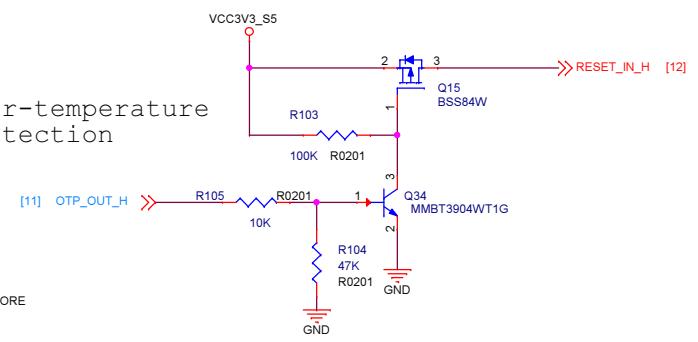
DDR3:1.5V  
 DDR3L:1.35V  
 LPDDR:1.25V  
 Default:LPDDR3

DDR	VIF
DDR3	300K
DDR3L	300K
LPDDR	300K

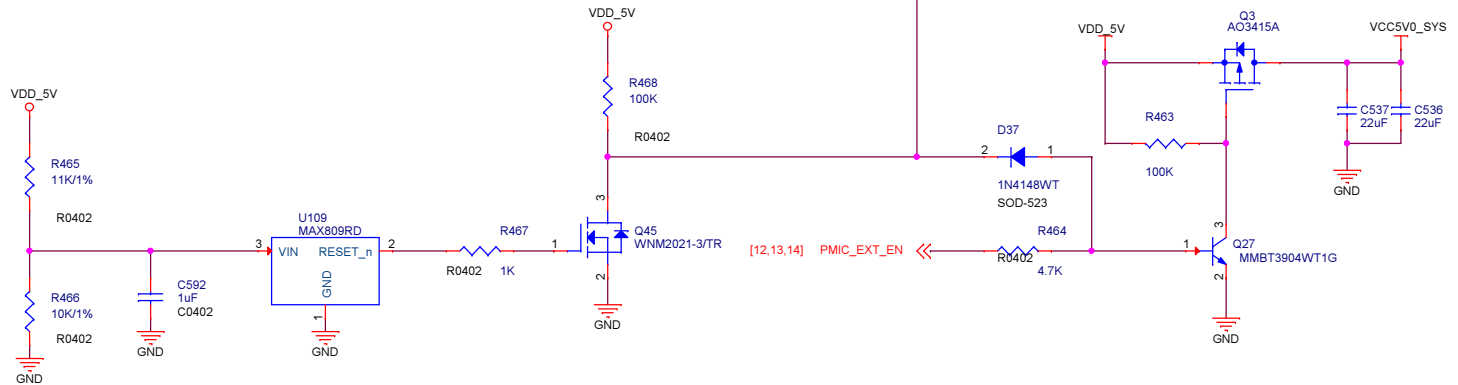
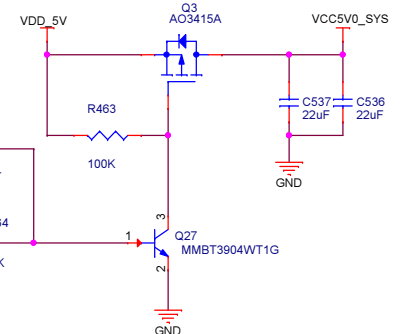
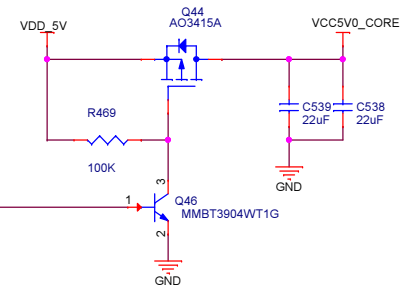
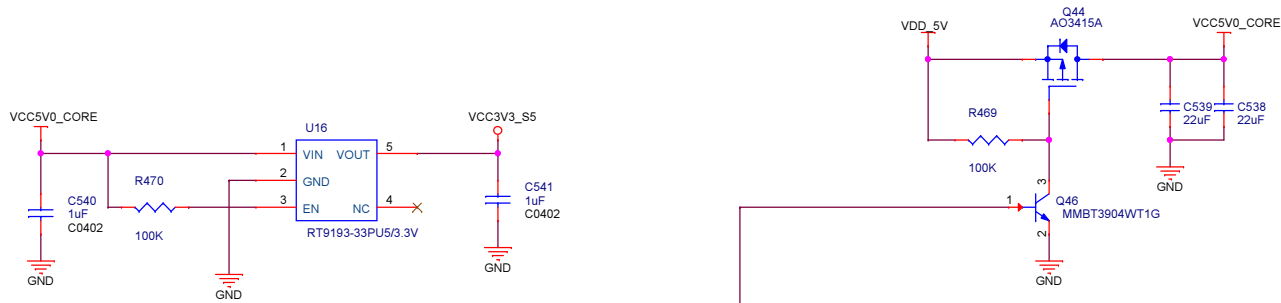
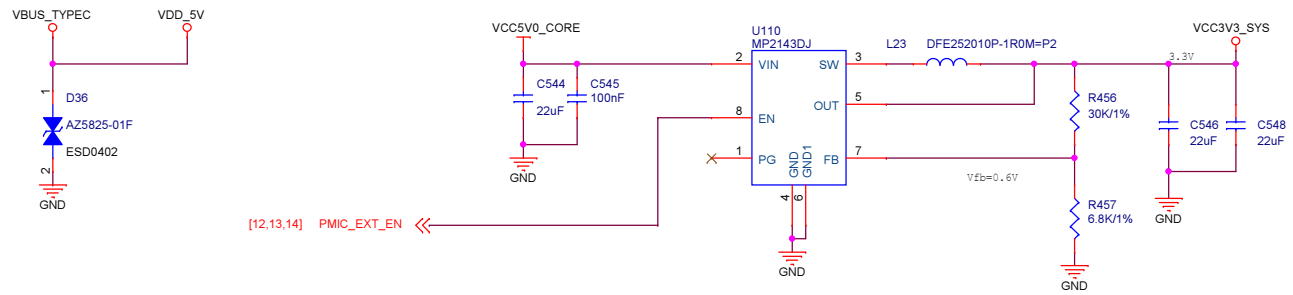




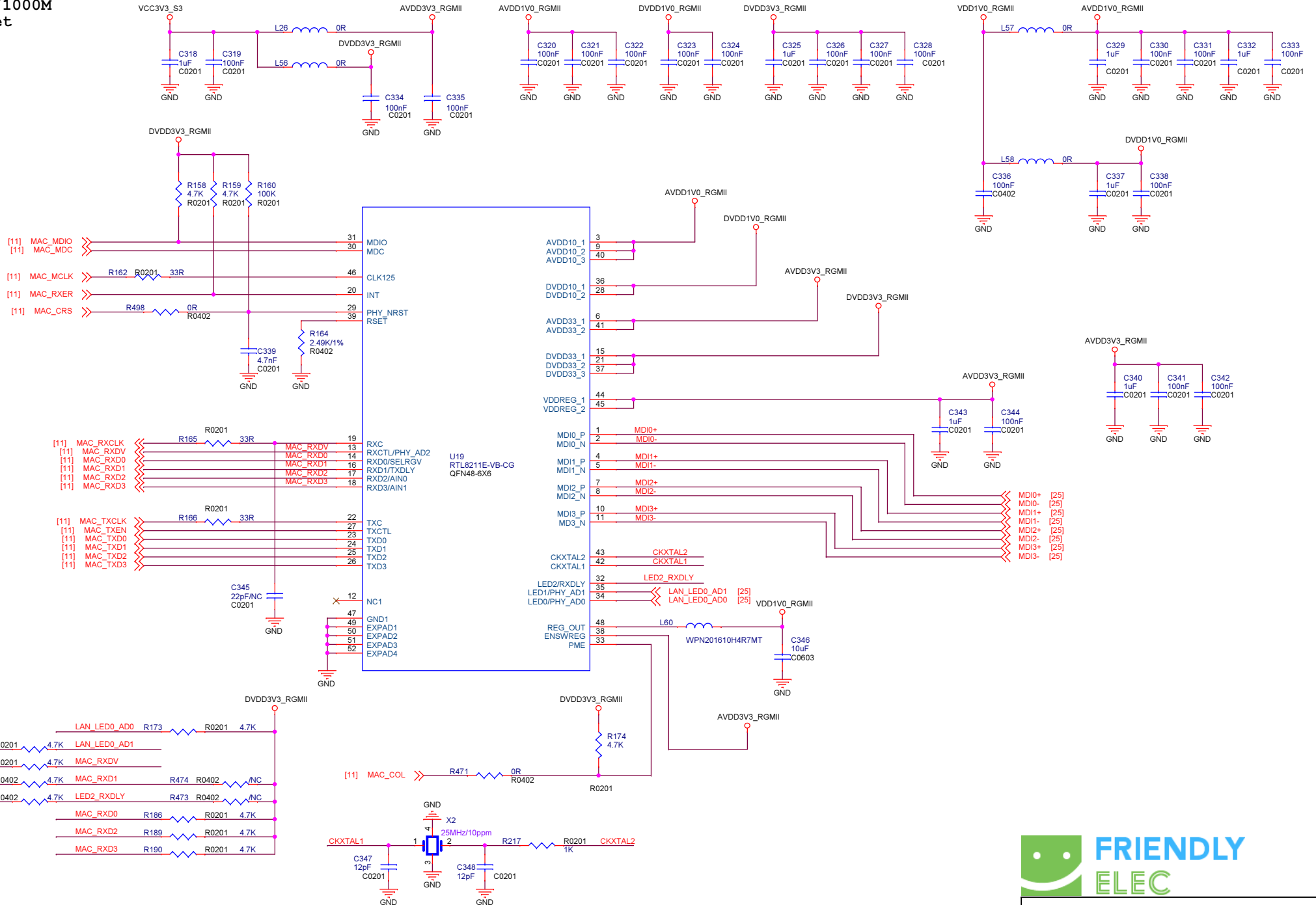
### Over-temperature Protection



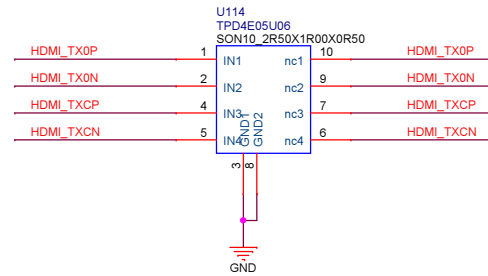
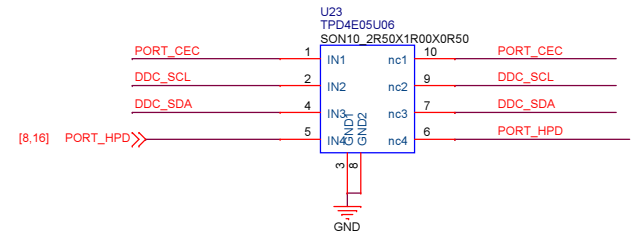
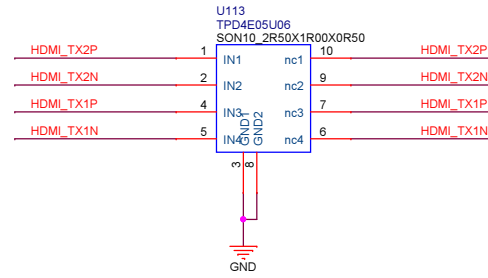
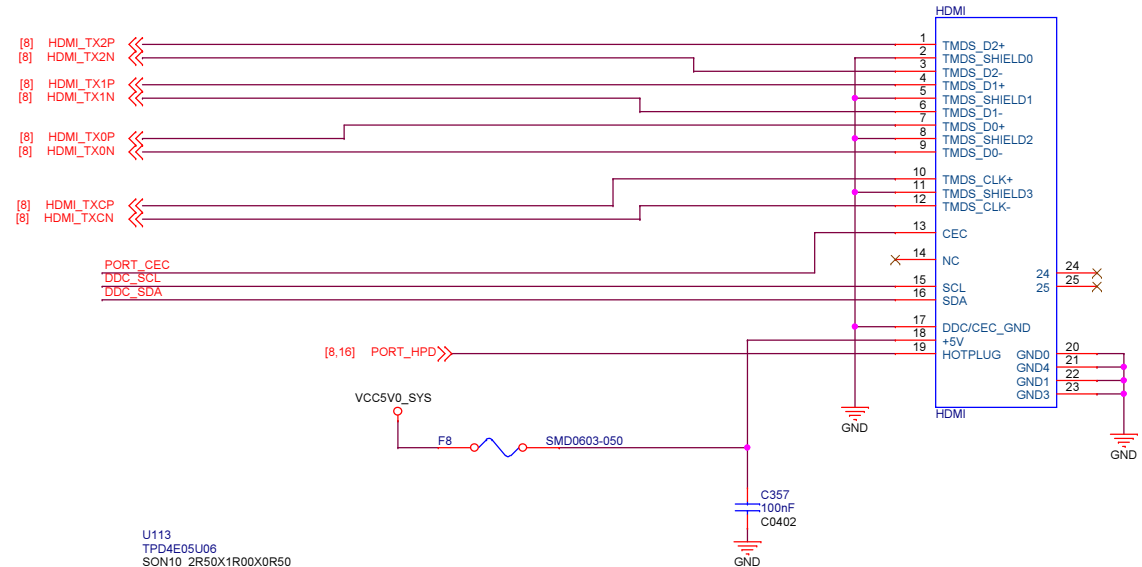
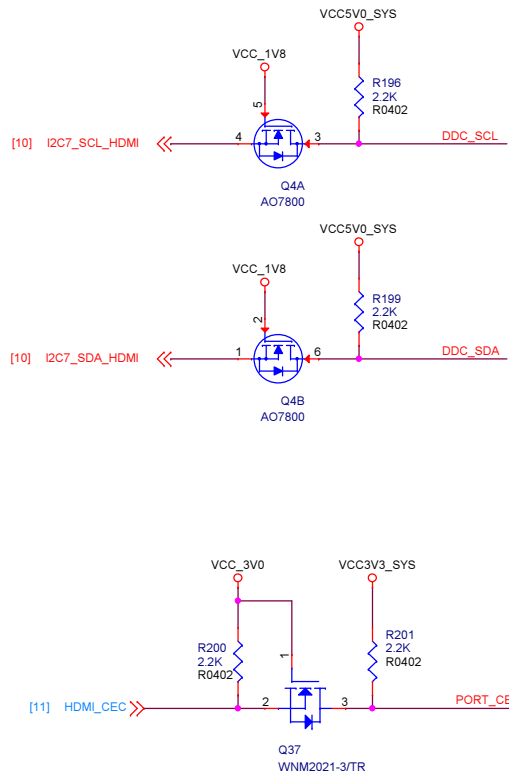
NanoPi M4 (2GB)		
Size A3	Document Number 12.Power2-CPU/GPU/etc	Rev 1807
Date: Tuesday, August 21, 2018	Sheet 13	of 25



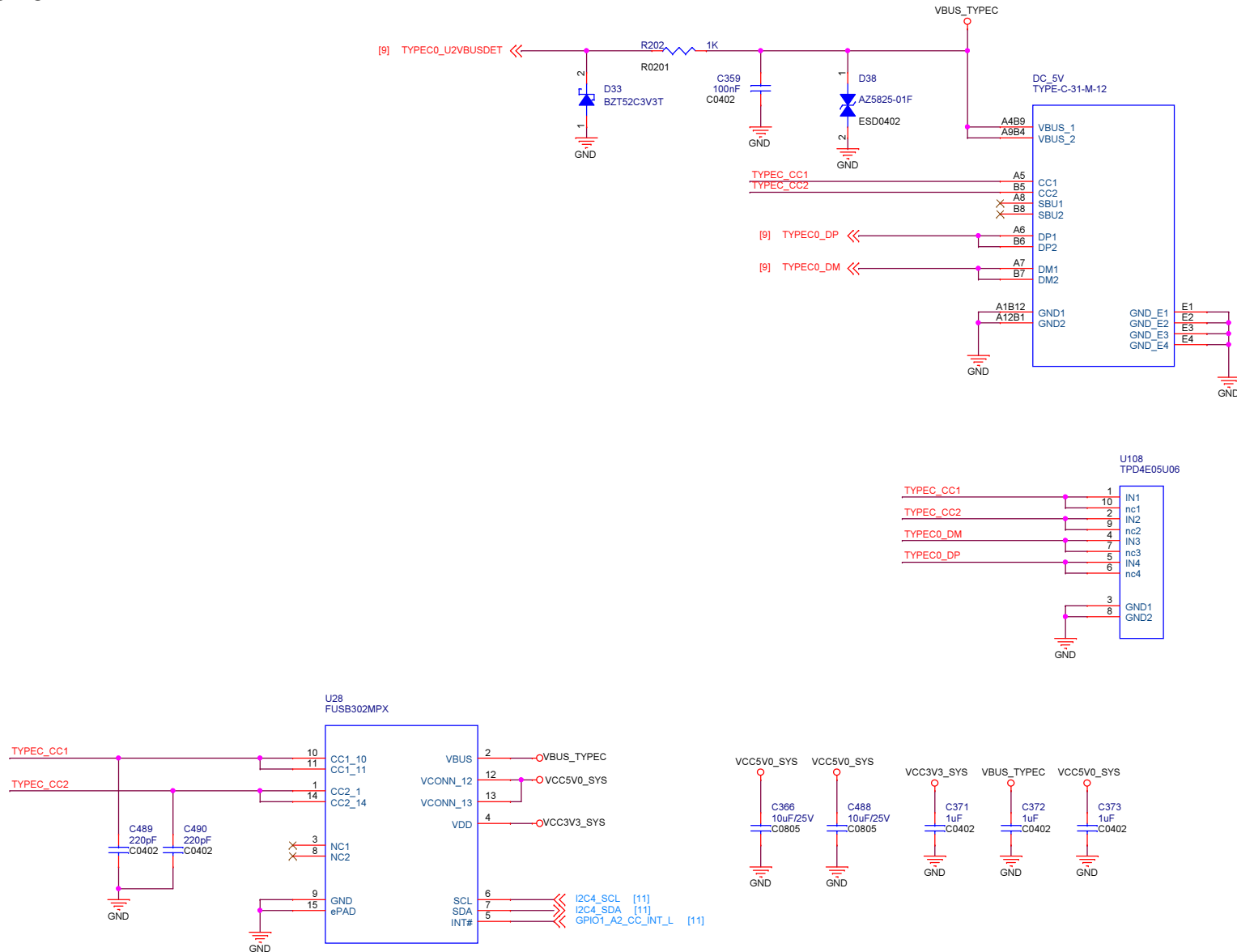
# 10/100/1000M Ethernet



# HDMI Port

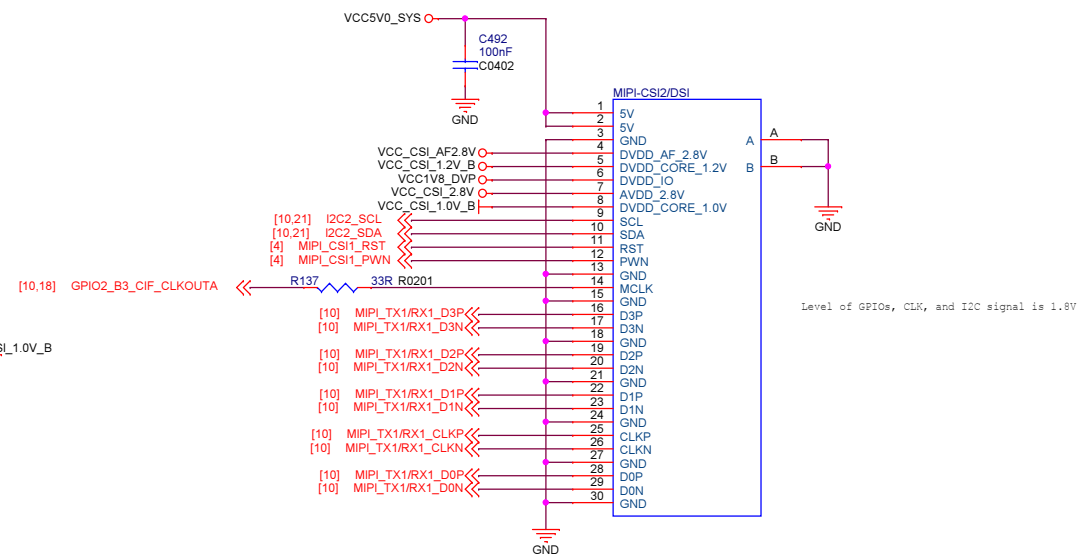
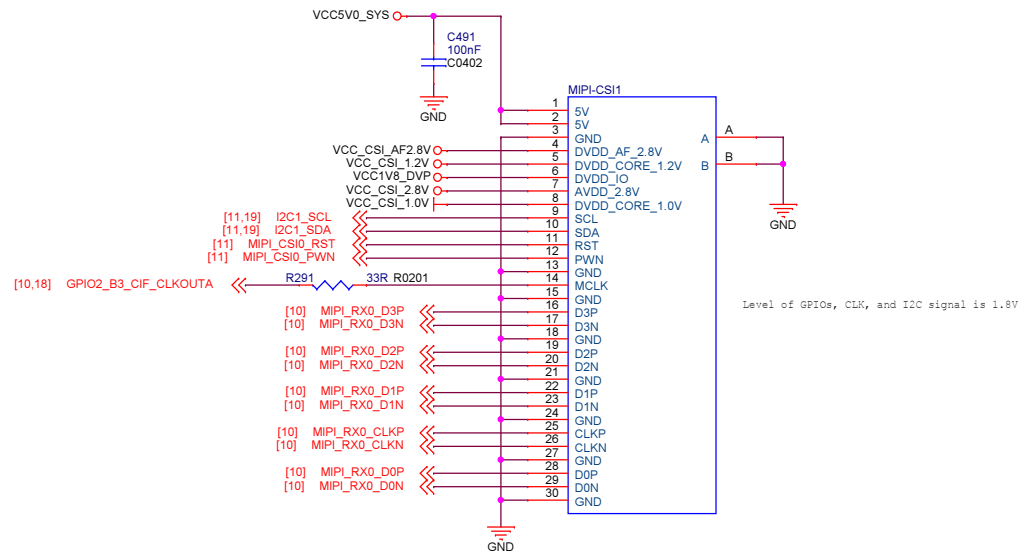
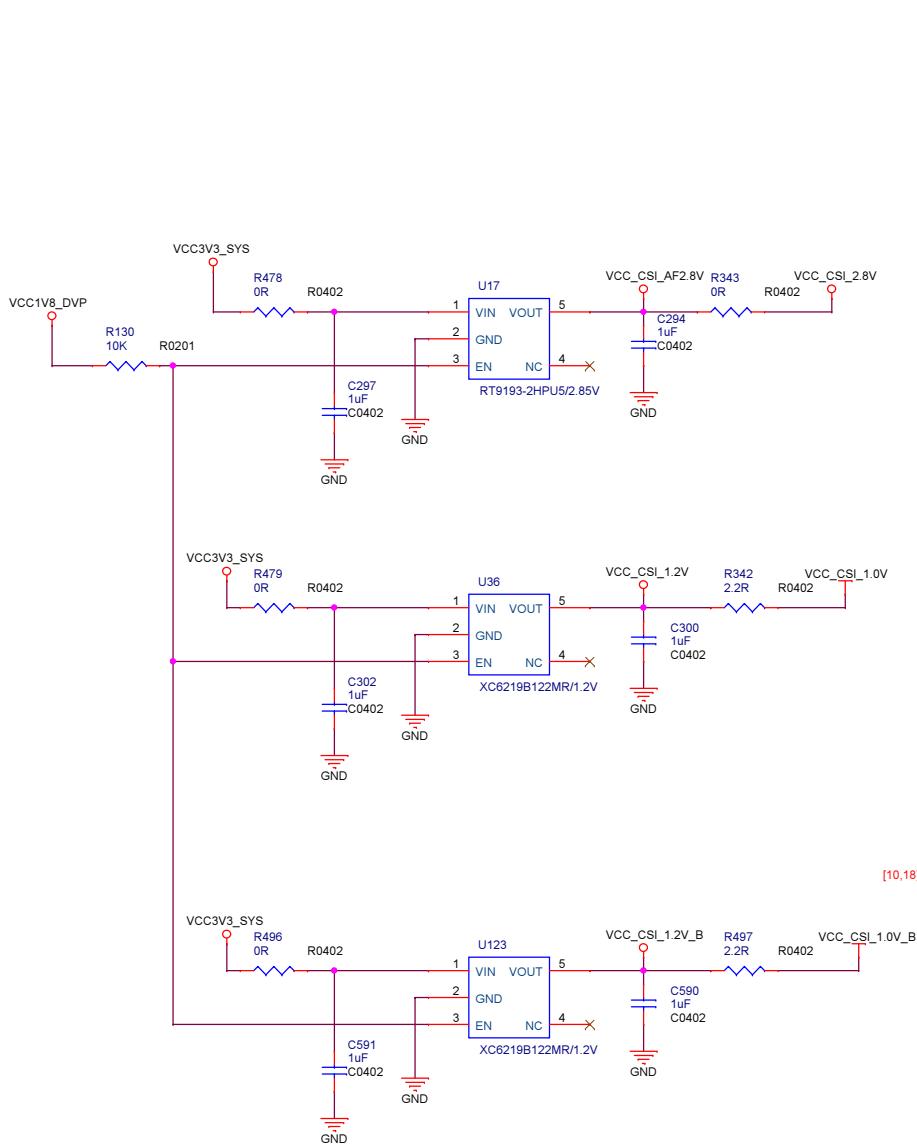


# USB Type-C



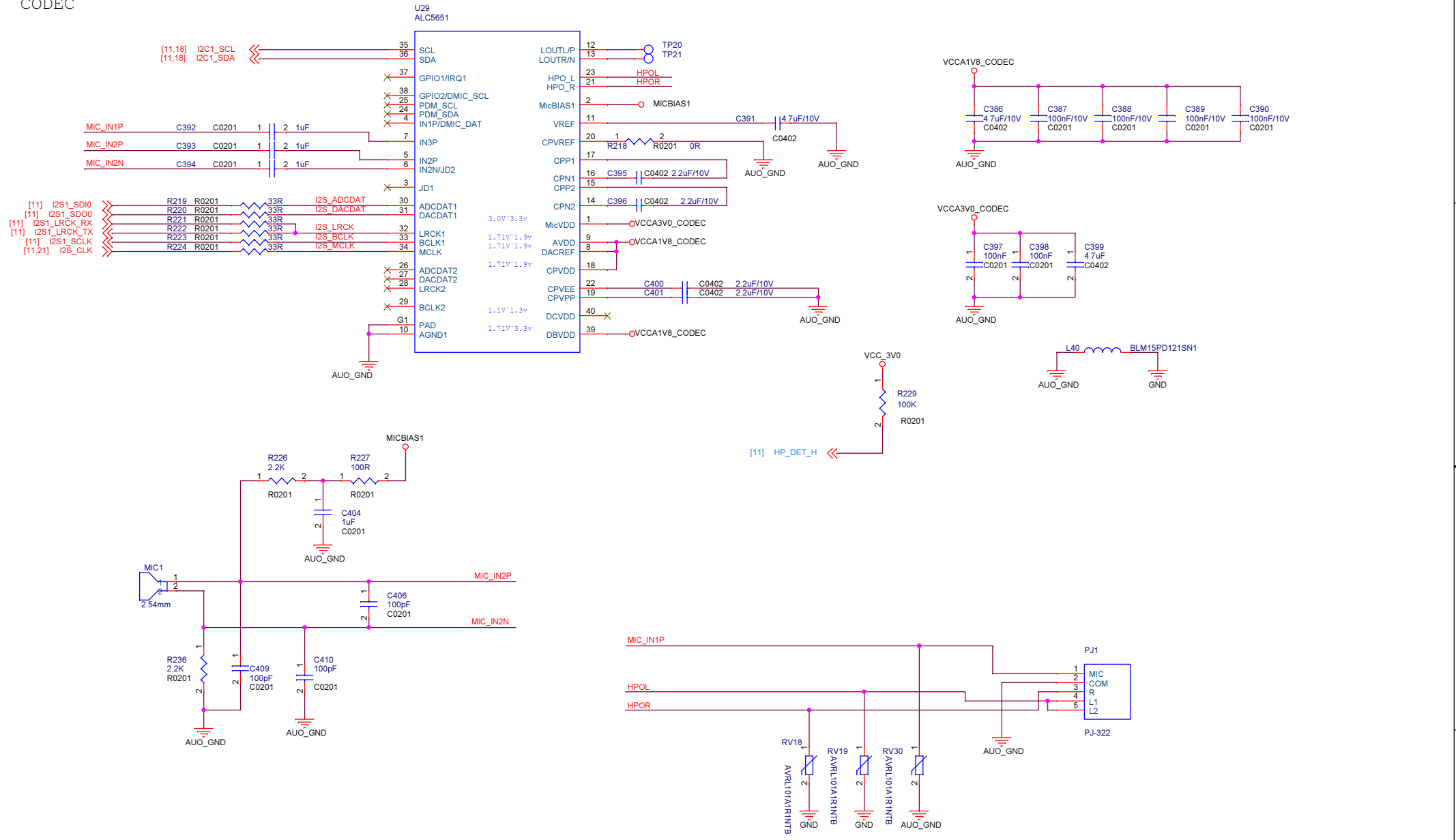


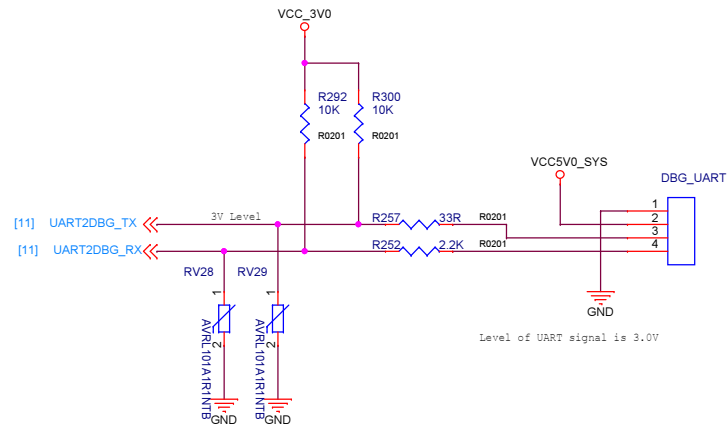
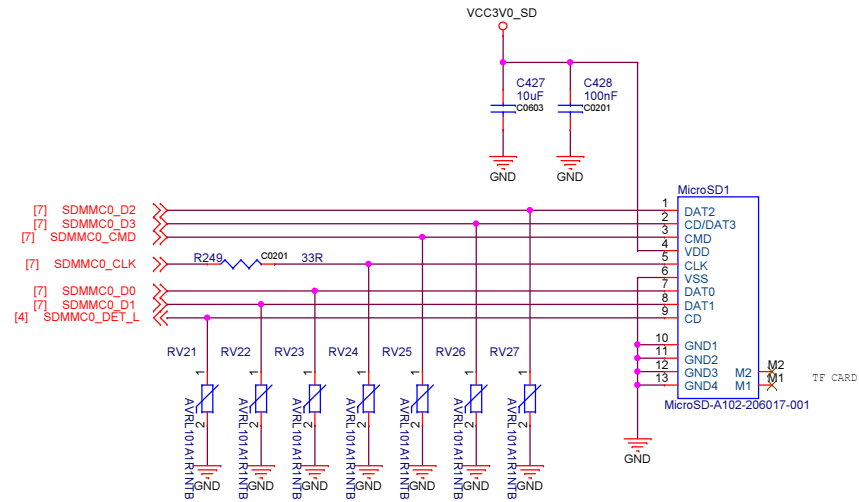
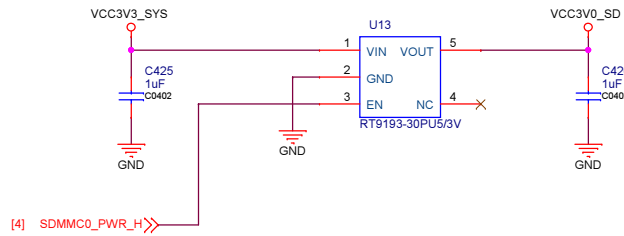
# MIPI-CSI

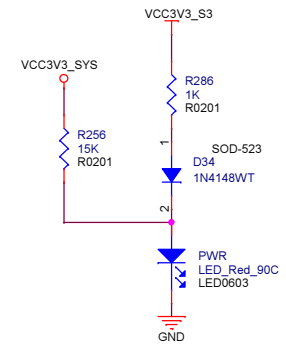
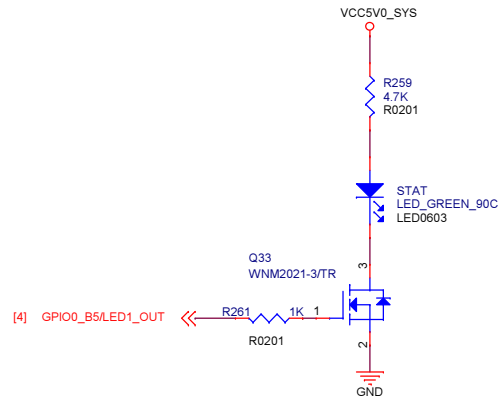
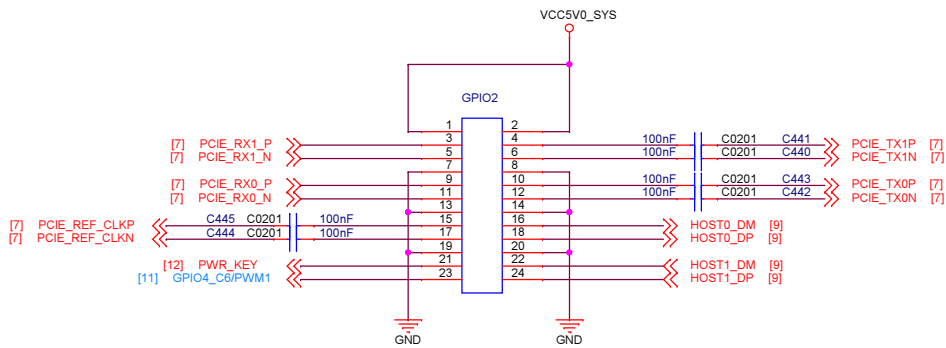
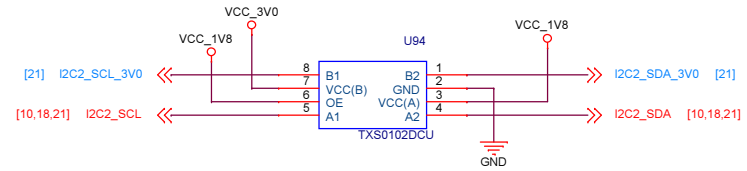
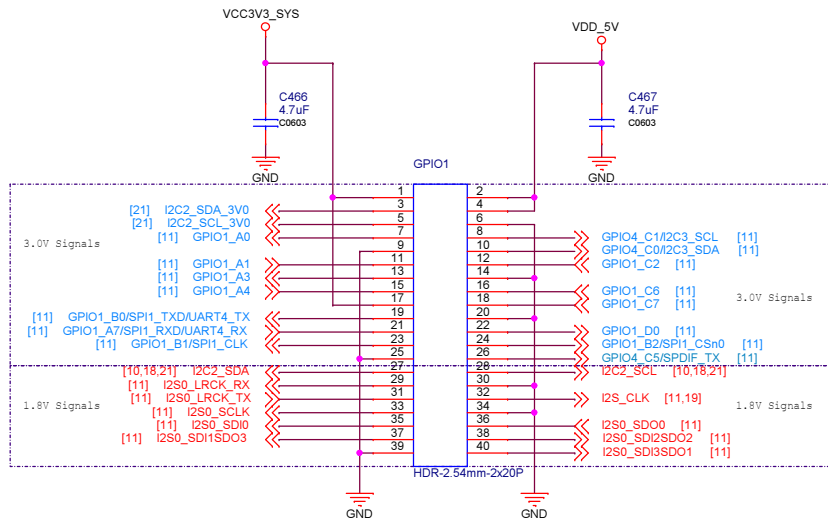


NanoPi M4 (2GB)		
Size A3	Document Number 17.MIPI-CSI	Rev 1807
Date: Tuesday, August 21, 2018	Sheet 18	of 25

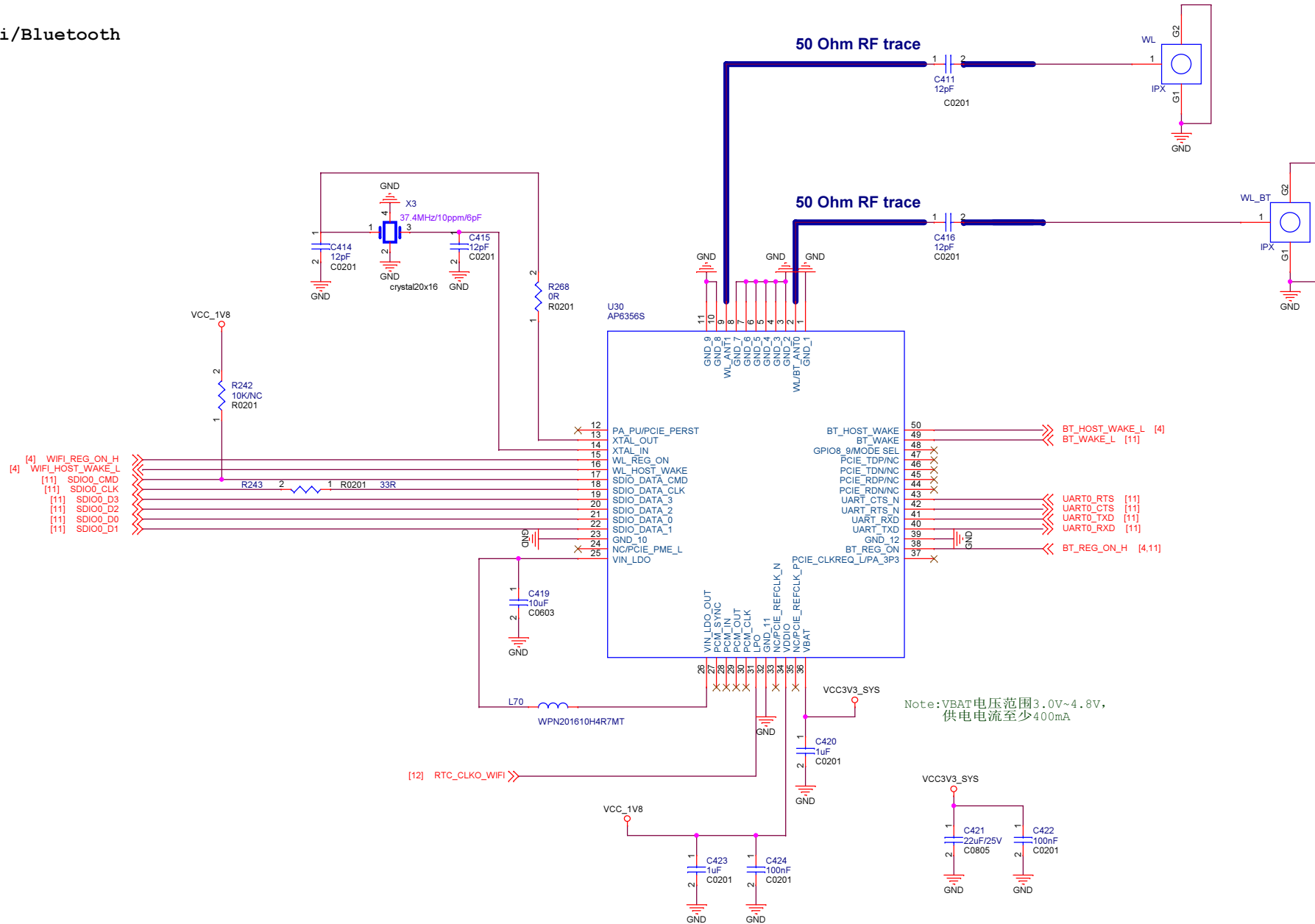
CODEC







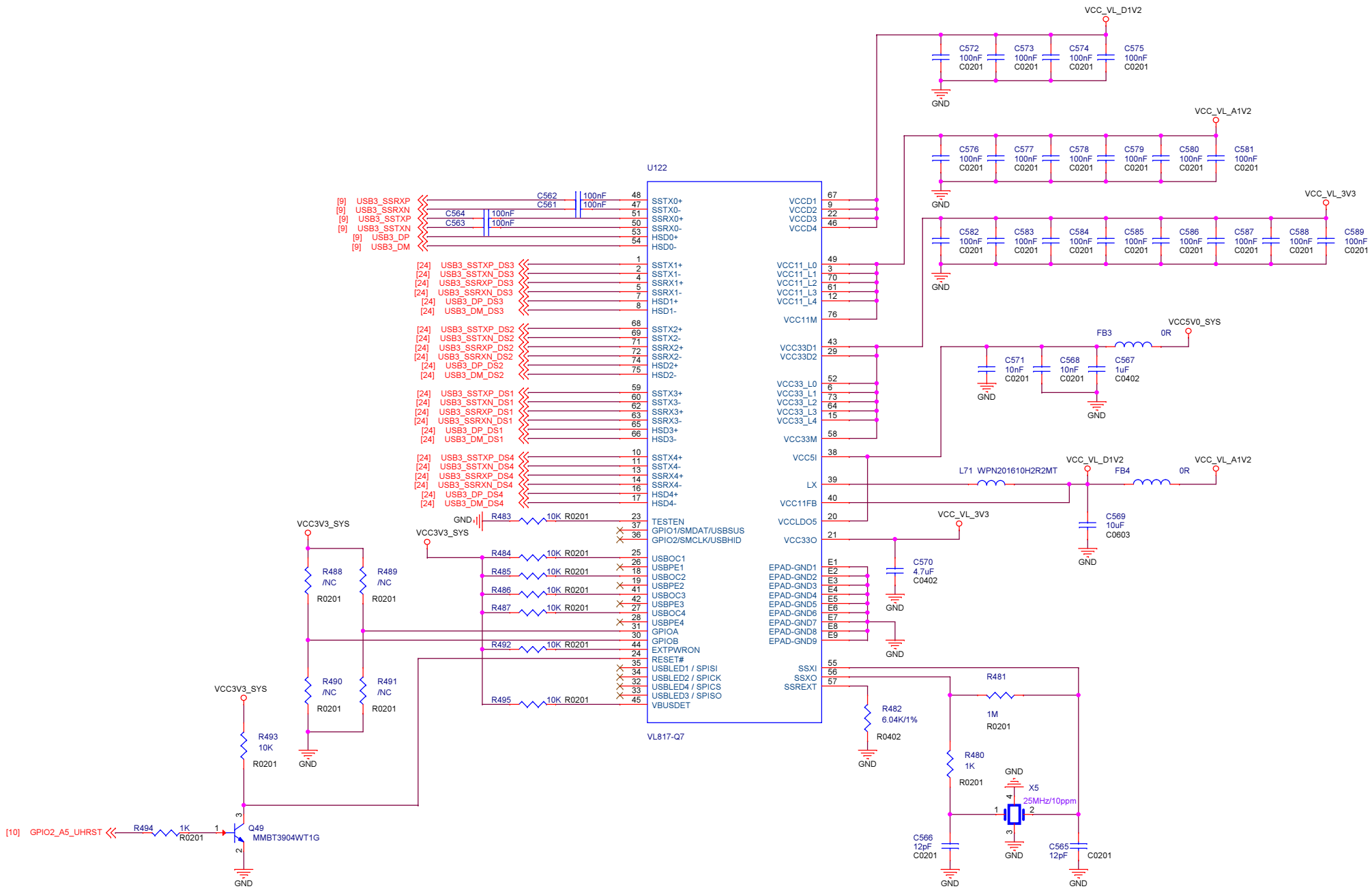
# Wi-Fi/Bluetooth



Note: VBAT电压范围3.0V~4.8V, 供电电流至少400mA



NanoPi M4 (2GB)		
Size A3	Document Number 21.Wi-Fi	Rev 1807
Date: Tuesday, August 21, 2018	Sheet 22 of 25	



# USB3.0 Host

